

# Device/PLC Connection Manuals

---



## About the Device/PLC Connection Manuals

Prior to reading these manuals and setting up your device, be sure to read the "Important: Prior to reading the Device/PLC Connection manual" information. Also, be sure to download the "Preface for Trademark Rights, List of Units Supported, How to Read Manuals and Documentation Conventions" PDF file. Furthermore, be sure to keep all manual-related data in a safe, easy-to-find location.

## 2.18 Keyence

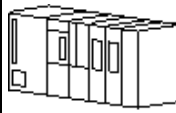
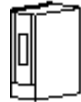


### 2.18.1 System Structure

The following describes the system structure for connecting the GP to Keyence PLCs.

*The Cable Diagrams mentioned in the following tables are listed in the section titled "2.18.2 Cable Diagrams".*

**Reference**

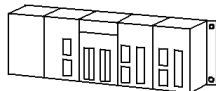



#### ■ KZ-300/KZ-350 Series (using Link I/F)

CPU	Link I/F	Cable Diagram	Target Machine
	 PC Link Unit		
KZ-300 KZ-350	KZ-L2	RS-232C Port 1 Connection (Cable Diagram 1)	GP/GLC Series ST401
		RS-232C Port 2 Connection (Cable Diagram 2)	GP/GLC Series ST401
		RS-422 Port 2 Connection (Cable Diagram 3)	GP/GLC Series ST400



**Port 1 and Port 2 can be connected at the same time on the GP. When connected at the same time, the Communication Setup for Port 1 and Port 2 must be the same.**

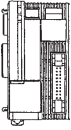
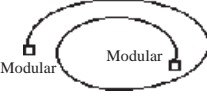
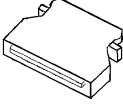

#### ■ KZ-A500 Series (using Link I/F)

CPU	Link I/F	Cable Diagram	Target Machine
			
KZ-A500	KZ-L10	RS-232C - connected to Port 1 (Cable Diagram 4)	GP/GLC Series ST401
		RS-232C - connected to Port 2 (Cable Diagram 2)	GP/GLC Series ST401
		RS-422 - connected to Port 2 (Cable Diagram 3)	GP/GLC Series ST400



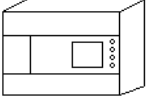
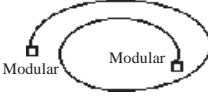
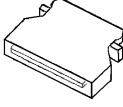

**Port 1 (RS232C), Port 2 (RS232-C or RS422) and the modular controller on CPU unit can be used at the same time.**

■ **KZ-A500 (CPU Direct Connection)**

CPU	Cables	Connector	Target Machine
			
KZ-A500	Keyence Co. OP-26487	Keyence Co. OP-26485 *1	GP/GLC Series
		Keyence Co. OP-26486	ST401

\*1 The above CPU cannot be directly connected to GP2300/GP2301/GLC2300 series units because of the connector cover size. In this case, use Digital's CA1-EXCBL/D25-01 extension cable between the connector and the GP/GLC.





■ **Visual KV Series (CPU Direct Connection)**

CPU	Cables	Connector	Target Machine
			
KV-10A□,KV-10D□ *1 KV-16A□,KV-16D□ KV-24A□,KV-24D□ KV-40A□,KV-40D□	Keyence Co. OP-26487	Keyence Co. OP-26485 *2	GP/GLC Series
		Keyence Co. OP-26486	ST401


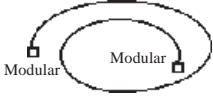
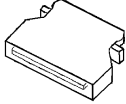
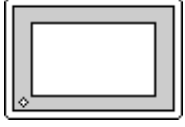
\*1 The value of □ depends on the PLC specifications.

\*2 The above CPU cannot be directly connected to GP2300/GP2301/GLC2300 series units because of the connector cover size. In this case, use Digital's CA1-EXCBL/D25-01 extension cable between the connector and the GP/GLC.

■ **KV-700 Series (using Link I/F)**

CPU	Link I/F	Cable Diagram	Target Machine
	PC Link Unit 		
KV-700	KV-L20	RS-232C (Communication Port 1) <Cable Diagram 5>	GP/GLC Series
			ST401
		RS-232C (Communication Port 2) <Cable Diagram 6>	GP/GLC Series
			ST401
		RS-422 (Communication Port 2) <Cable Diagram 7>	GP/GLC Series
			ST400

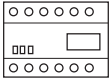
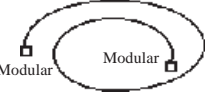
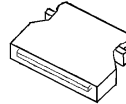

■ **KV-700/KV-1000 Series (CPU Direct Connection)**

CPU	Cables	Connector	Target Machine
			
KV-700 KV-1000	Keyence Co. OP-26487	Keyence Co. OP-26485 <sup>*1</sup>	GP/GLC Series <sup>*2</sup>
		Keyence Co. OP-26486	ST401

*\*1 The above CPU cannot be directly connected to GP2300/GP2301/GLC2300 series units because of the connector cover size. In this case, use Digital's CA1-EXCBL/D25-01 extension cable between the connector and the GP/GLC.*

*\*2 GP70 Series (except for GP377 Series units), GLC100 Series and GLC300 Series units cannot be used.*


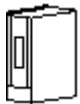

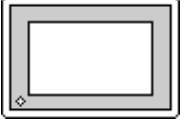
■ **KV Series (CPU Direct Connection)**

CPU	Cables	Connector	Target Machine
			
KV-10RW,KV-10T2W KV-16RW,KV-16T2W KV-24RW,KV-24T2W KV-40RW,KV-40T2W KV-80RW,KV-80T2W	Keyence Co. OP-26487	Keyence Co. OP-26485 <sup>*1</sup>	GP/GLC Series <sup>*2</sup>
		Keyence Co. OP-26486	ST401

*\*1 The above CPU cannot be directly connected to GP2300/GP2301/GLC2300 series units because of the connector cover size. In this case, use Digital's CA1-EXCBL/D25-01 extension cable between the connector and the GP/GLC.*

*\*2 GP70 Series (except for GP377 Series units) and GLC100 Series units cannot be used.*

■ **KV 1000 Series (Link I/F Connection)**

CPU	Link I/F	Cable	Target Machine
	PC Link Unit 		
KV-1000	KV-L20R	RS-232C Port 1 Connection (Cable Diagram 5)	GP/GLC Series ST401
		RS-232C Port 2 Connection (Cable Diagram 6)	GP/GLC Series ST401
		RS-422 Port 2 Connection (Cable Diagram 8)	GP/GLC Series ST400

**2.18.2 Cable Diagrams**

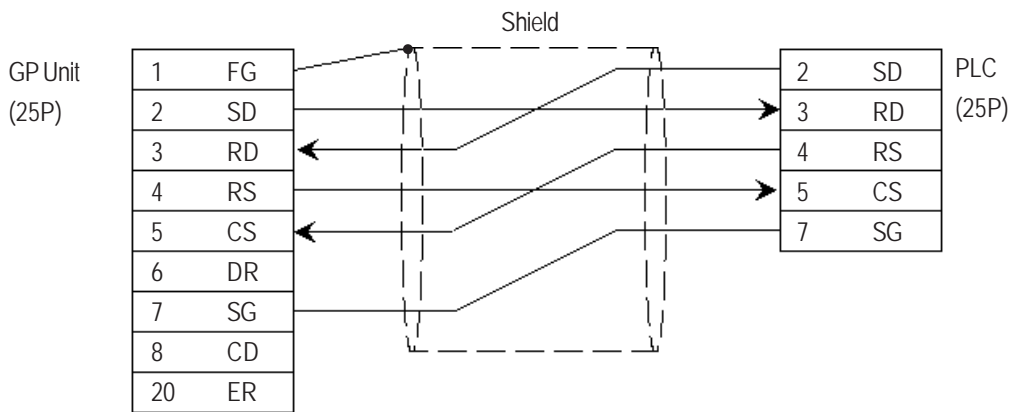
The cable diagrams illustrated below and the cable diagrams recommended by Keyence may differ, however, using these cables for your PLC operations will not cause any problems.



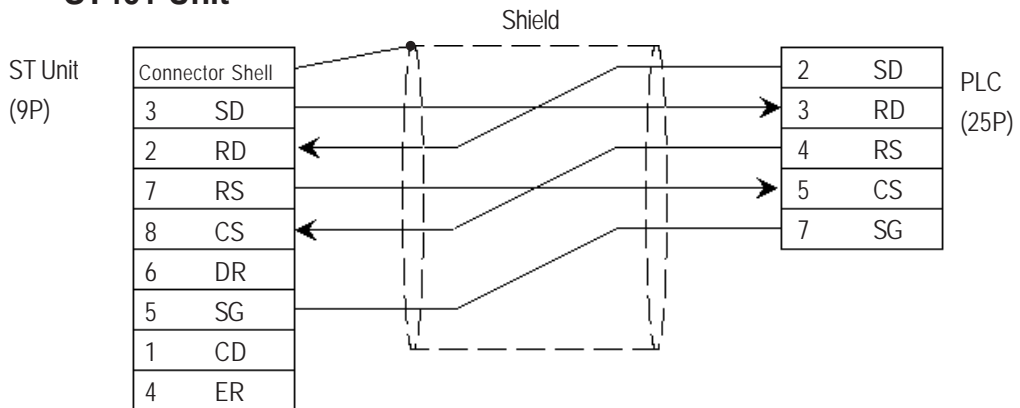
- Connect the FG line of the Shield cable to the GP.
- For the RS-232C connection, use a cable length less than 15m.
- If a communications cable is used, it must be connected to the SG (signal ground).
- For the RS-422 connection, refer to Keyence's PLC manual for the cable length.

**Cable Diagram 1 (RS-232C)**

**GP/GLC Series Units**

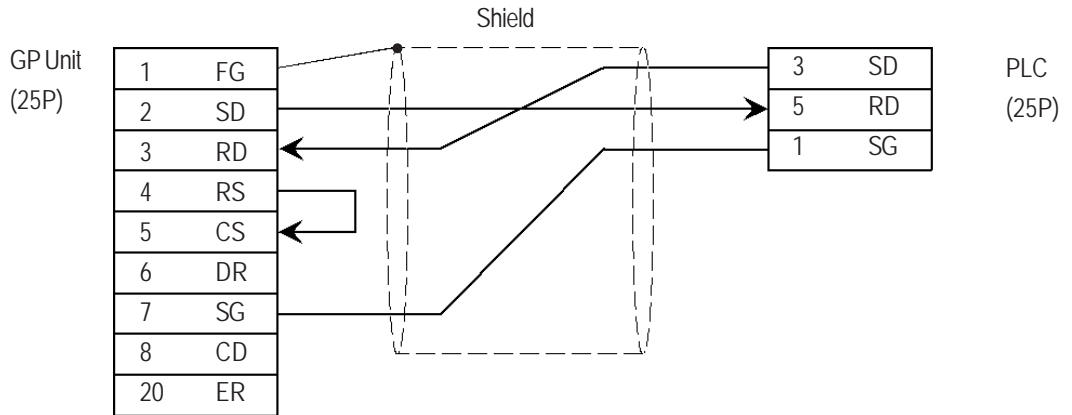


**ST401 Unit**

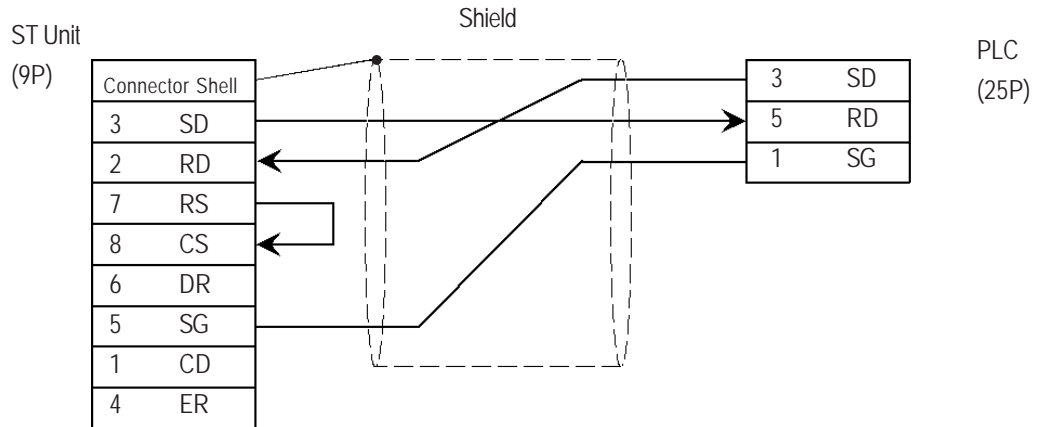


**Cable Diagram 2 (RS-232C)**

**GP/GLC Series Units**



**ST401 Unit**



### Cable Diagram 3 (RS-422)



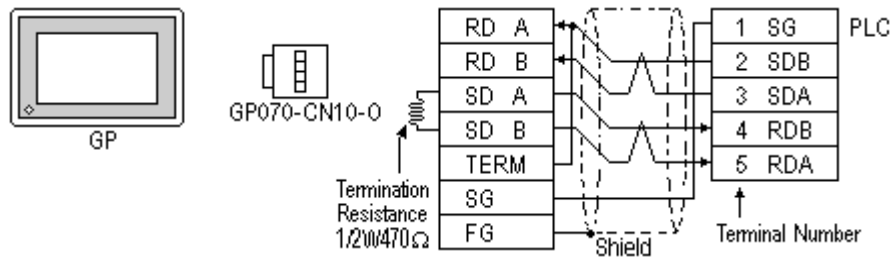
Turn the PLC's Termination Resistor switch ON.



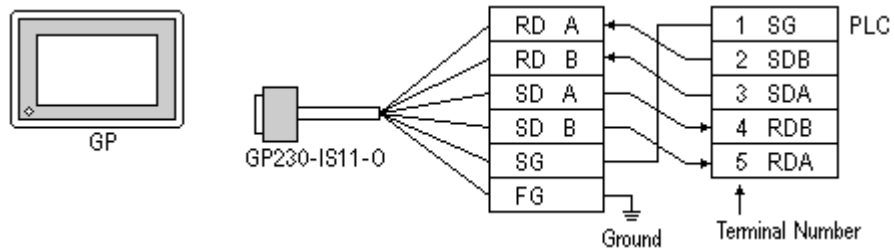
The reading of the A and B signals is reversed on the GP and PLC.

#### GP/GLC Series Units

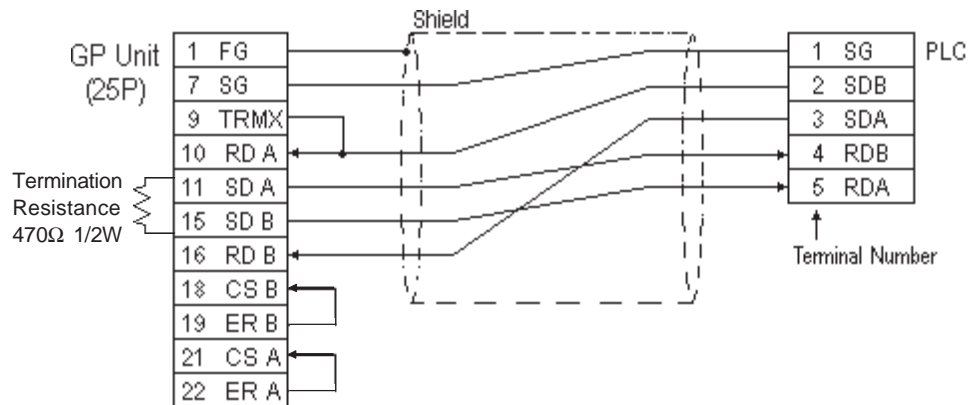
- When using Digital's RS-422 connector terminal adapter, GP070-CN10-0



- When using Digital's RS-422 Cable, GP230-IS11-0



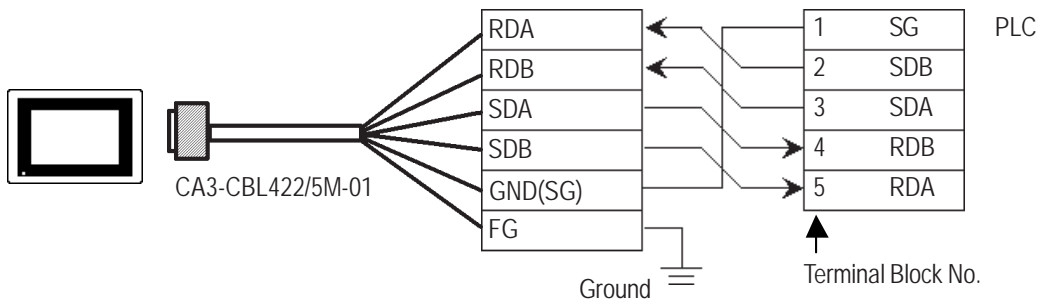
- When making your own cable connections



- Hirakawa Densen's H-9293A (C0-HC-ESV-3P\*7/0.2) is the recommended cable.
- When connecting the #9 and #10 pins in the GP Serial I/F, a termination resistance of 100Ω is added between RDA and RDB.
- When using RS-422 connection, please check the cable length with Keyence PLC User manual.

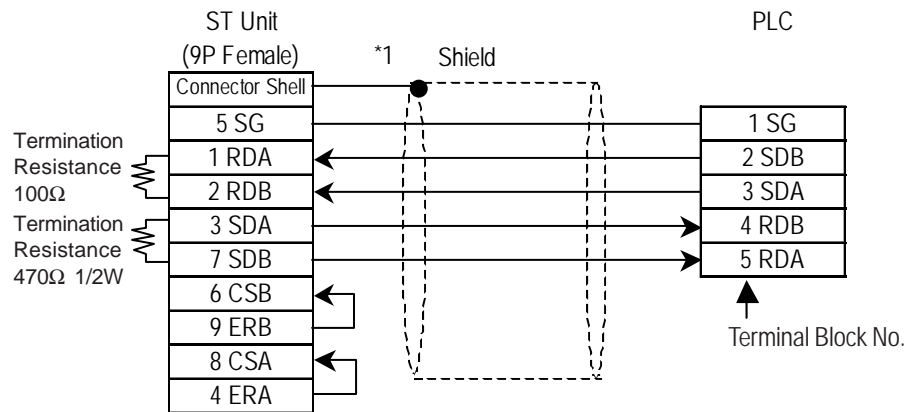
### ST400 Unit

- When using Digital's RS-422 cable CA3-CBL422/5M-01



**Note:** Be sure to connect the FG terminal to the ground. For information about FG connections, refer to page 1-5 note \*1, in the "Connecting a Device/PLC to the ST unit."

- When making your own cable connections



\*1 Be sure to connect the shield to the Connector Shell. For information about FG connections, refer to page 1-2 "RS422 I/F (ST400)" section's Note, in the "Connecting a Device/PLC to the ST unit."



- Hidakawa Densen's H-9293A (C0-HC-ESV-3P\*7/0.2) is the recommended cable.
- When using RS-422 connection, please check the cable length with Keyence PLC User manual.

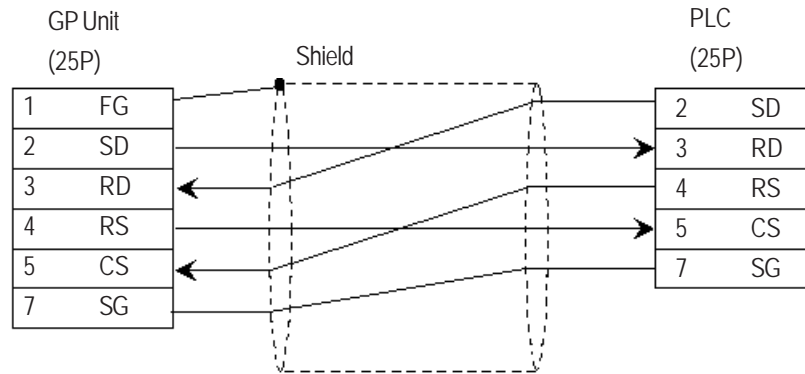


### Cable Diagram 4 (RS-232C) Port 1

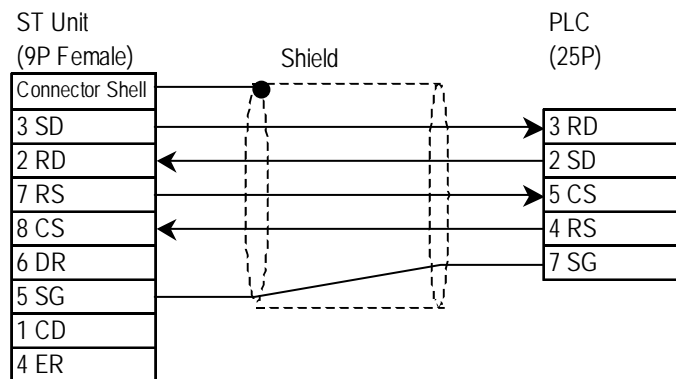
#### GP/GLC Series Units



- When using an RS-232C cable, the cable must be no longer than 15meters.
- When using an RS-422 cable, the cable must be no longer than 500meters.

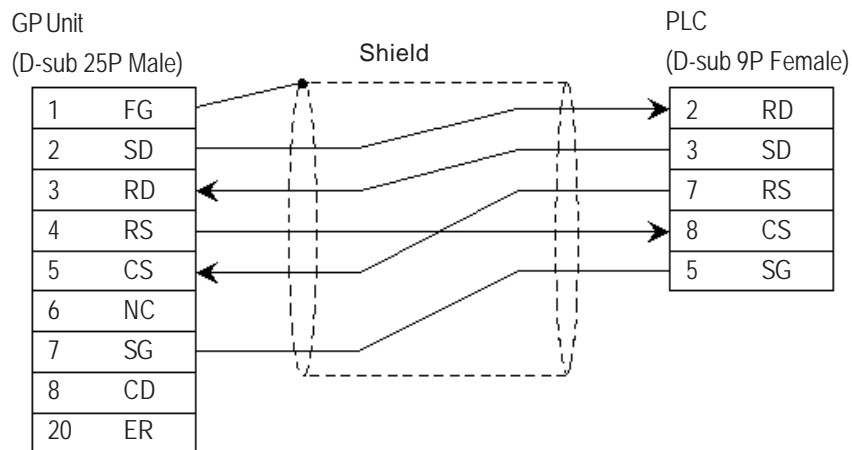


#### ST401 Unit

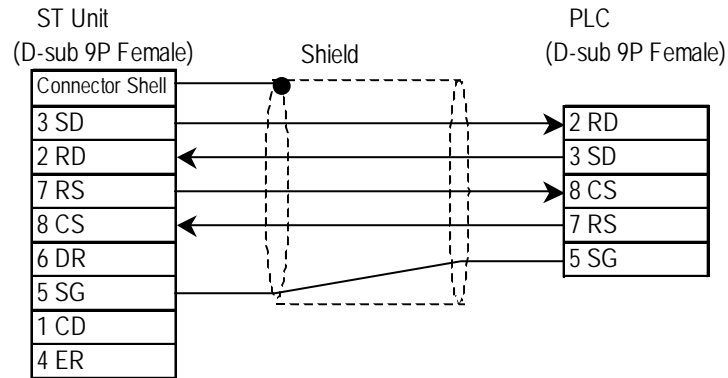


### Cable Diagram 5 (RS-232C) Port 1

#### GP/GLC Series Units

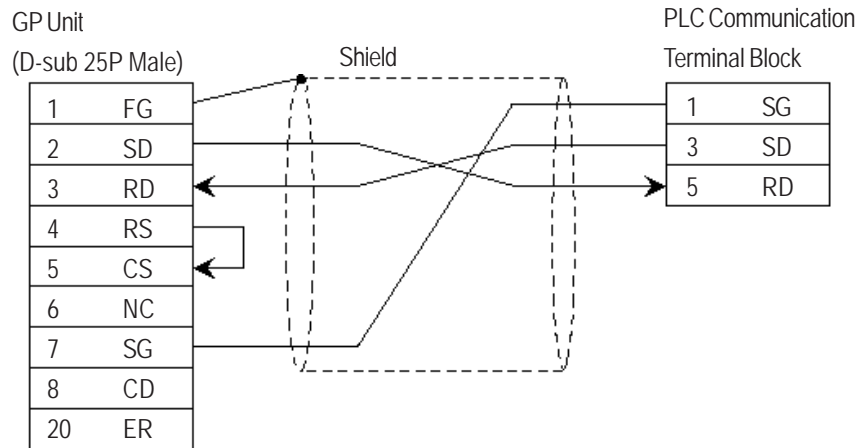


### ST401 Unit

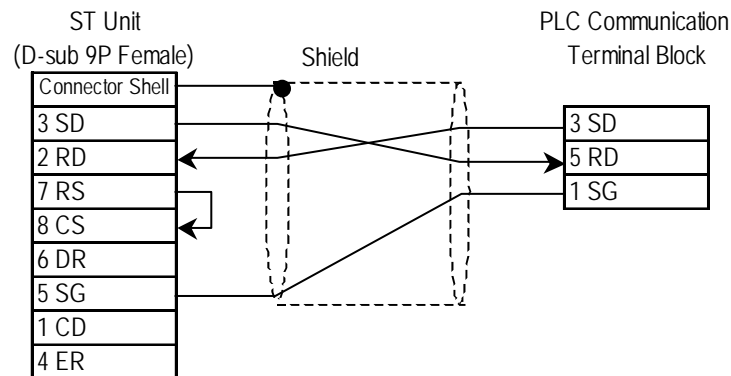


### Cable Diagram 6 (RS-232C) Port 2

#### GP/GLC Series Units



### ST401 Unit



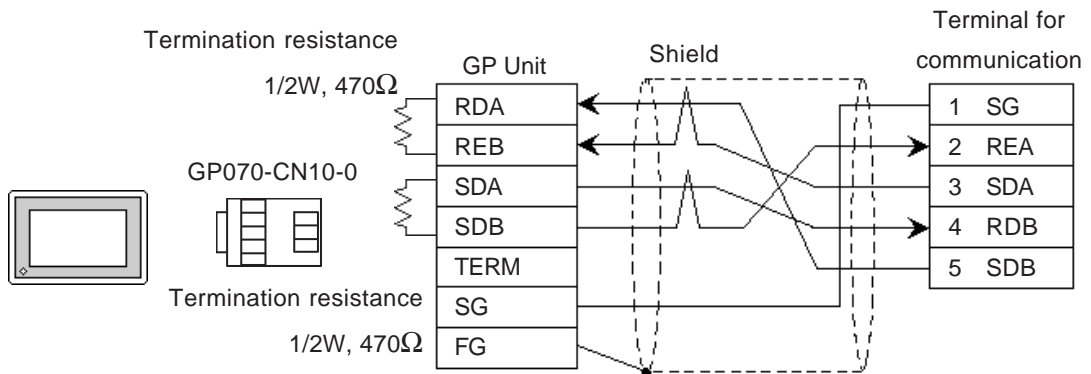
**Cable Diagram 7 (RS-422) 4-wire type**



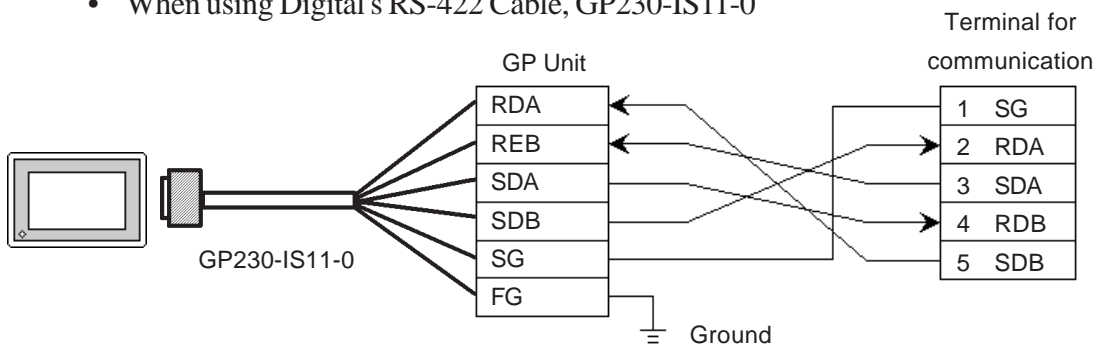
- The termination resistance on the PLC side becomes active when the Terminator Select switch on the unit is turned ON.
- The names of poles A and B are inverted between the GP and the PLC.
- The cable length should be within 500 meters.

**GP/GLC Series Units**

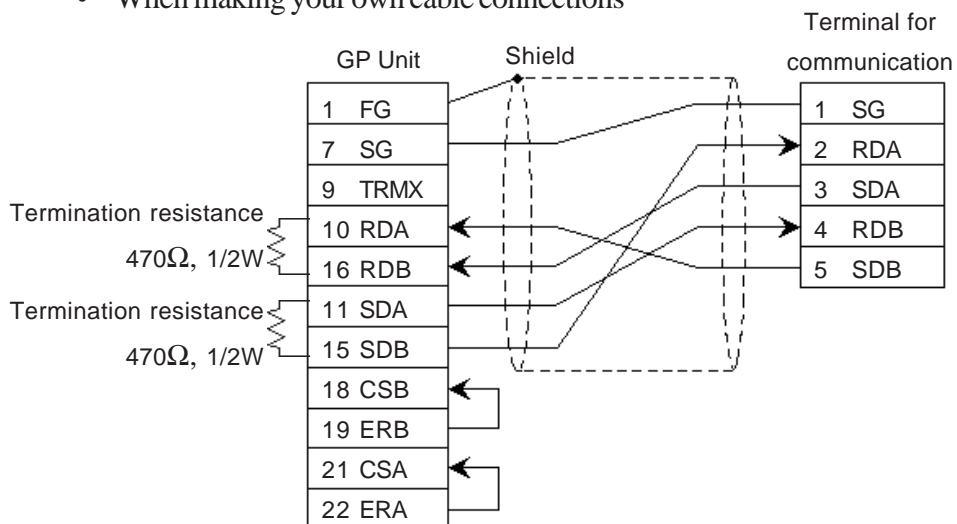
- When using Digital's RS-422 connector terminal adapter, GP070-CN10-0



- When using Digital's RS-422 Cable, GP230-IS11-0

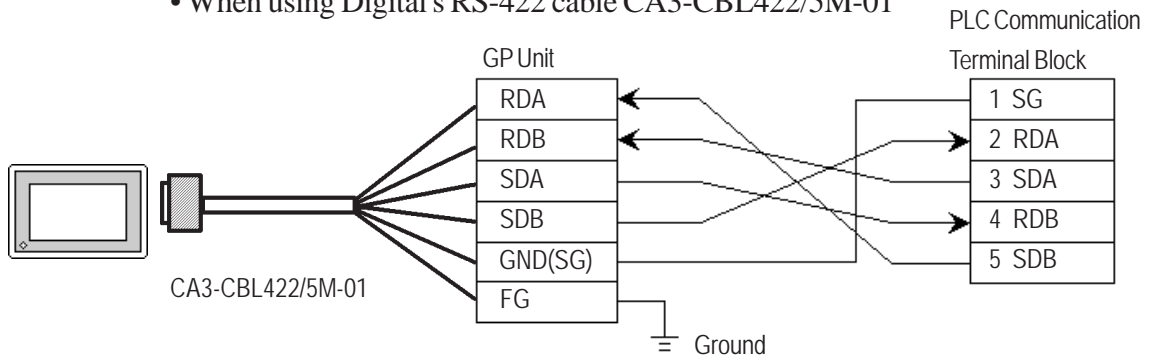


- When making your own cable connections



### ST400 Unit

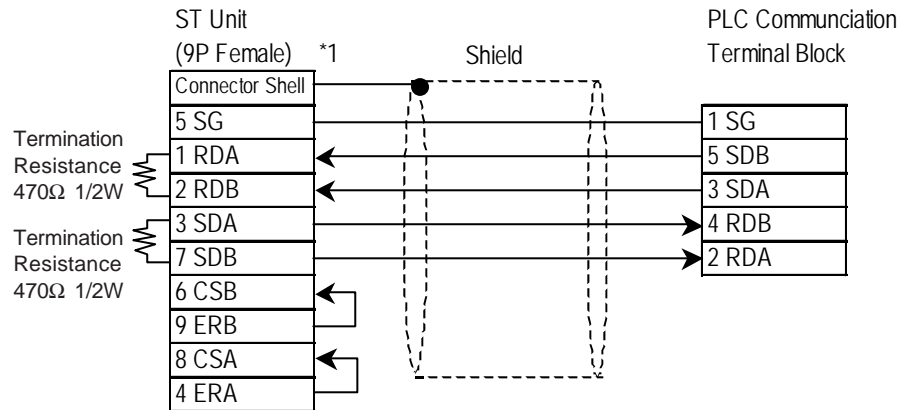
- When using Digital's RS-422 cable CA3-CBL422/5M-01



**Note:**

Be sure to connect the FG line to the FG terminal. For information about FG connections, refer to page 1-5 note \*1, in the "Connecting a Device/PLC to the ST unit."

- When making your own cable connections



\*1 Be sure to connect the shield to the Connector Shell. For information about FG connections, refer to page 1-2 "RS422 I/F (ST400)" section's Note, in the "Connecting a Device/PLC to the ST unit."

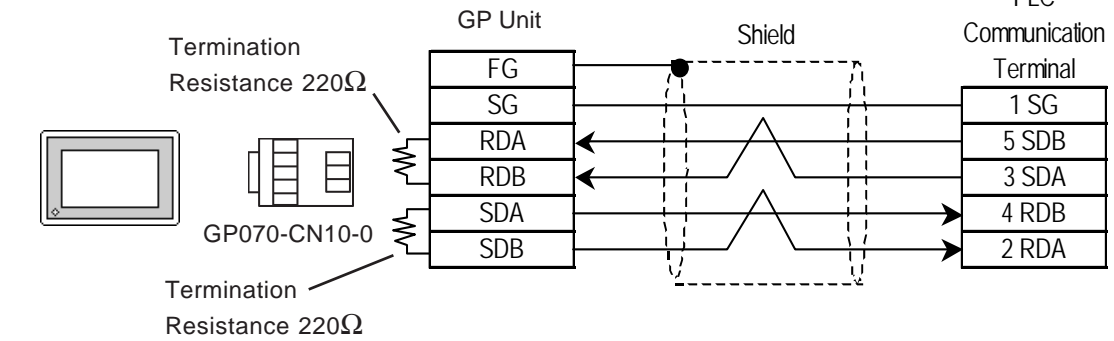
### Cable Diagram 8 (RS-422) Port 2



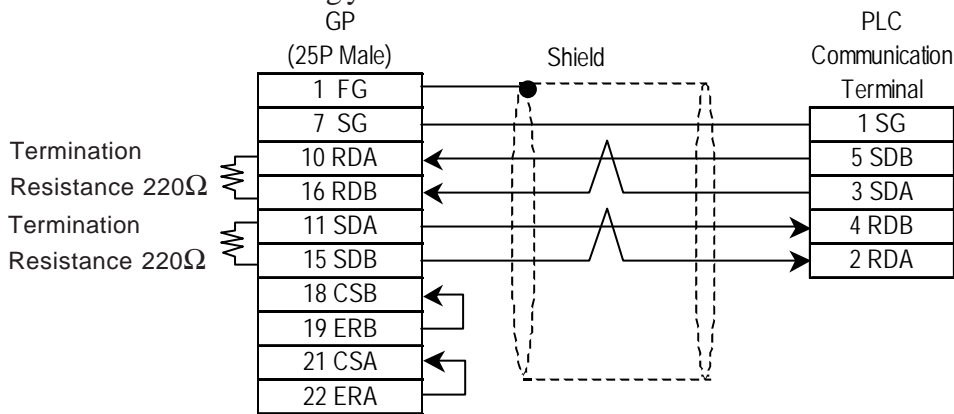
- The Link Unit is equipped with termination resistance. When the terminator selector switch is turned ON, termination resistance is inserted. (Inserts  $220\Omega$  between SDA - SDB and RDA - RDB)

#### GP/GLC Series Units

- When using Digital's RS-422 connector terminal adapter, GP070-CN10-0

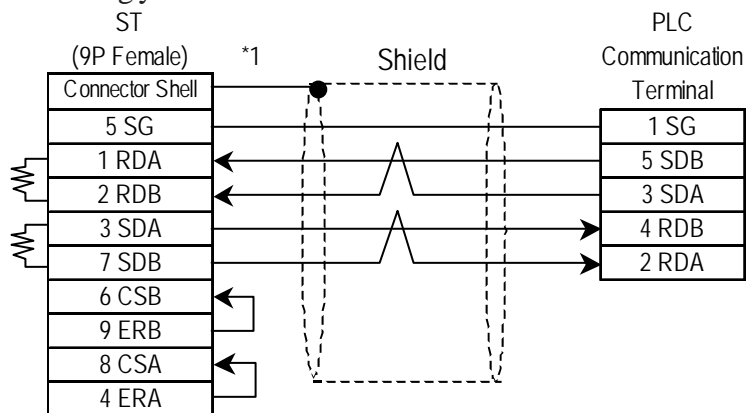


- When making your own cable connections



#### ST400 Unit

- When making your own cable connections



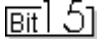

\*1 Be sure to connect the shield to the Connector Shell. For information about FG connections, refer to page 1-2 "RS422 I/F (ST400)" section's Note, in the "Connecting a Device/PLC to the ST unit."

**2.18.3 Supported Devices**

The following describes the range of devices supported by the GP.

**KZ-300/KZ-350 Series**

 Set up System Area here.

Device	Bit Address	Word Address	Particulars
Input Relay	00000 ~ 0009	00 ~ 00	L/H
	7000 ~ 17415	70 ~ 174	
Output Relay	0500 ~ 0503	05 ~ 05	
	7500 ~ 17915	75 ~ 179	
Help Relay	0504 ~ 0915	---	
Internal Help Relay	1000 ~ 6915	10 ~ 69	
Special Help Relay	2000 ~ 2915	20 ~ 29	
Timer (contact)	T000 ~ T249	---	
Counter (contact)	C000 ~ C249	---	
Timer (current value)	---	T000 ~ T249	
Counter (current value)	---	C000 ~ C249	
Data Memory	---	DM0000 ~ DM9999	
Temporary Data Memory	---	TM00 ~ TM31	

\* 1 Address numbers \*000~\*400 are available for the bit device addresses, and \*0~\*4 are available for the word addresses displayed.



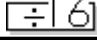
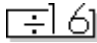

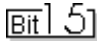


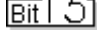
Bit Address	Word Address
addr 7000	70
addr 7001 to addr 7400	71 to 74
addr 8000	80
addr 8100 to addr 8400	81 to 84
addr 17000 to addr 17400	170 to 174

\* 2 Address numbers \*500~\*900 are available for the bit device addresses, and \*5~\*9 are available for the word addresses displayed.

Bit Address	Word Address
addr 7500	75
addr 7600 to addr 7900	76 to 79
addr 8500	85
addr 8600 to addr 8900	86 to 89
addr 17500 to addr 17900	175 to 179

■ **KZ-A500** (CPU Direct Connection)

 Set up System Area here.

Device	Bit Address	Word Address	Particulars	
Input Relay	X0000 ~ X07FF	X0000 ~ X07F0		L/H
Output Relay	Y0000 ~ Y07FF	Y0000 ~ Y07F0		
Internal Relay	M0000 ~ M8191	M000 ~ M8176		
Latch Relay	L0000 ~ L8191	---		
Special Relay	M9000 ~ M9255	M9000 ~ M9240		
Annunciator	F0000 ~ F2047	F0000 ~ F2032		
Link Relay	B0000 ~ B0FFF	---		
Timer (contact)	TS0000 ~ TS2047	---		
Timer (coil)	TC0000 ~ TC2047	---		
Counter (contact)	CS0000 ~ CS1023	---		
Counter (coil)	CC0000 ~ CC1023	---		
Timer (current value)	---	TN0000 ~ TN2047		
Counter (current value)	---	CN0000 ~ CN1023		
Data Register	---	D0000 ~ D6143		
Special Register	---	D9000 ~ D9255		
Link Register	---	W0000 ~ W0FFF		
File Register	---	R0000 ~ R8191		

■ **KZ-A500** (using Link I/F)

Set up System Area here.

Device	Bit Address	Word Address	Particulars	L/H
Input Relay	X0000 ~ X07FF	X0000 ~ X07F0	<span style="border: 1px solid black; padding: 2px;">***0</span>	
Output Relay	Y0000 ~ Y07FF	Y0000 ~ Y07F0	<span style="border: 1px solid black; padding: 2px;">***0</span>	
Internal Relay	M0000 ~ M8191	M0000 ~ M8176	<span style="border: 1px solid black; padding: 2px;">÷16</span>	
Latch Relay	L0000 ~ L8191	L0000 ~ L8176	<span style="border: 1px solid black; padding: 2px;">÷16</span>	
Link Relay	B0000 ~ B0FFF	—————		
Annunciator Relay	F0000 ~ F2047	F0000 ~ F2032	<span style="border: 1px solid black; padding: 2px;">÷16</span>	
Special Relay	M9000 ~ M9255	M9000 ~ M9240	<span style="border: 1px solid black; padding: 2px;">÷16</span>	
Timer (connect)	TS0000 ~ TS2047	—————		
Timer (coil)	TC0000 ~ TC2047	—————		
Counter (connect)	CS0000 ~ CS1023	—————		
Counter (coil)	CC0000 ~ CC1023	—————		
Timer (current value)	—————	TN0000 ~ TN2047		
Counter (current value)	—————	CN0000 ~ CN1023		
Data Register	—————	D0000 ~ D6143	<span style="border: 1px solid black; padding: 2px;">Bit15</span>	
Link Register	—————	W0000 ~ W0FFF	<span style="border: 1px solid black; padding: 2px;">BitF</span>	
File Register	—————	R0000 ~ R8191	<span style="border: 1px solid black; padding: 2px;">Bit15</span>	
Special Register	—————	D9000 ~ D9255	<span style="border: 1px solid black; padding: 2px;">Bit15</span>	



■ **Visual KV Series** (KV-10A/KV-10D/KV-16A/KV-16D//KV-24A/  
KV-24D/KV-40A/KV-40D)

  Set up System Area here.

Device	Bit Address	Word Address	Particulars	
Input/Output Relay	00000 ~ 00915	000 ~ 009	L/H	
	07000 ~ 17915	070 ~ 179		
Internal AUX Relay	01000 ~ 01915	010 ~ 019		
	03000 ~ 06915	030 ~ 069		
Special AUX Relay	02000 ~ 02915	020 ~ 029		*1
Timer (contact)	T000 ~ T249	—————		
Counter (contact)	C000 ~ C249	—————		
High-Speed Counter Comparator (contact)	CTC0 ~ CTC3	—————		*2
Timer (set value)	—————	TS000 ~ TS249		
Counter (set value)	—————	CS000 ~ CS249		
Timer (current value)	—————	TC000 ~ TC249		
Counter (current value)	—————	CC000 ~ CC249		
Data Memory	—————	DM0000 ~ DM1999		[Bit] 5]
Temporary Data Memory	—————	TM00 ~ TM31		[Bit] 5]
Digital Trimmer	—————	AT0 ~ AT1		*2
High-Speed Counter (current value)	—————	CTH0 ~ CTH1		
High-Speed Counter Comparator (set value)	—————	CTC0 ~ CTC3		

\*1 Some addresses are not available for writes.

\*2 Not available for writes

■ **KV-700 Series** (using the KZ-300 series protocol)

   Set up System Area here.

Device	Bit Address	Word Address	Particulars
Input Relay	00000 ~ 00009	000 ~ 000	*1
Output Relay	00500 ~ 00503	005 ~ 005	
Internal AUX Relay	00504 ~ 00915	005 ~ 009	
Extended Input/Output Relay Internal AUX Relay	01000 ~ 59915	010 ~ 599	
Control Relay	60000 ~ 63915	600 ~ 639	*2
Timer (contact)	T000 ~ T511	————	*3
Counter (contact)	C000 ~ C511	————	*3
Timer (current value)	————	T000 ~ T511	*3
Counter (current value)	————	C000 ~ C511	*3
Data Memory	————	DM0000 ~ DM9999	<span style="border: 1px solid black; padding: 2px;">Bit 5</span> *4
Temporary Data Memory	————	TM000 ~ TM511	<span style="border: 1px solid black; padding: 2px;">Bit 5</span>
Control Memory	————	TM0520 ~ TM4519	<span style="border: 1px solid black; padding: 2px;">Bit 5</span> *5

\*1 PLC or GP data writing is not possible.

\*2 GP cannot write data to any address.

\*3 Only available when the timer command and the counter command exist in the ladder program.

\*4 The device range for the PLC is between DM0000 and DM19999, but addresses up to DM9999 are only accessible to the GP.

\*5 Some addresses are not available for writes.

■ **KV-700 Series** (using the KZ-A500 (link) protocol)

Set up System Area here.

Device	Bit Address	Word Address	Remarks
Input Relay	X0000 ~ X0009	X0000 ~ X0000	<span style="border: 1px solid black; padding: 2px;">xxx0</span> *1*2
Output Relay	X0050 ~ X0053	X0050 ~ X0050	<span style="border: 1px solid black; padding: 2px;">xxx0</span> *2
Internal AUX Relay	X0054 ~ X009F	X0050 ~ X0090	<span style="border: 1px solid black; padding: 2px;">xxx0</span> *2
Extended Input/Output Relay Internal AUX Relay	X00A0 ~ X257F	X00A0 ~ X2570	<span style="border: 1px solid black; padding: 2px;">xxx0</span> *2
Control Relay	M0000 ~ M3915	M0000 ~ M3904	<span style="border: 1px solid black; padding: 2px;">÷ 6</span> *3*4
Timer (contact)	TS000 ~ TS511	—————	*5
Counter (contact)	CS000 ~ CS511	—————	*5
High-Speed Counter Comparator (contact)	CS512 ~ CS515	—————	*5*6
Timer (current value)	—————	TN000 ~ TN511	*5
Counter (current value)	—————	CN000 ~ CN511	*5
High-Speed Counter (current value)	—————	CN512 ~ CN513	*5
Data Memory	—————	D00000 ~ D19999	<span style="border: 1px solid black; padding: 2px;">Bit 5</span> *7
Control Memory	—————	D50000 ~ D53999	<span style="border: 1px solid black; padding: 2px;">Bit 5</span> *3

L/H

- \*1 Data cannot be written to the PLC or to the GP unit.
- \*2 Addresses must be specified using hexadecimal numbers.
- \*3 Some addresses are not available for writes.
- \*4 For addresses, only multiples of 16 may be specified.
- \*5 Only available when the timer command, the counter command, and the high-speed timer command exist in the ladder program.
- \*6 GP cannot write data to any address.
- \*7 Even if the file registers are registered as R00000 to R19999, similar device addresses can be used, e.g., R01111 = D01111.

The following table describes device names displayed when selecting GP-PRO/PBIII for Windows screen editor's KZ-A500 (Link) Protocol, and their corresponding KV-700 Series device names.

KZ-A500 (LINK) Protocol	KV-700
Input Relay (X0000 ~ X0009)	Input Relay (00000 ~ 00009)
Output Relay (X0050 ~ X0053)	Output Relay (00500 ~ 00503)
Internal Relay (X0054 ~ X009F)	Internal Auxiliary Relay (00504 ~ 00915)
Extended Input/Output Relay Internal AUX Relay (X00A0 ~ X257F)	Extended Input/Output Relay Internal AUX Relay (01000 ~ 59915)
Special Relay (M0000 ~ M3915)	Control Relay (60000 ~ 63915)
Timer (Contact) (TS000 ~ TS511)	Timer (Contact) (T000 ~ T511)
Counter (Contact) (CS000 ~ CS511)	Counter (Contact) (C000 ~ C511)
High-speed Counter Comparator (Contact) (CS512 ~ CS515)	High-speed Counter Comparator (Contact) (CTC0 ~ CTC3)
Timer (Current Value) (TN000 ~ TN511)	Timer (Current Value) (T000 ~ T511)
Counter (Current Value) (CN000 ~ CN511)	Counter (Current Value) (C000 ~ C511)
High-speed Counter (Current Value) (CN512 ~ CN513)	High-speed Counter (Current Value) (CTH0 ~ CTH1)
Data Register (D00000 ~ D19999)	Data Memory (DM00000 ~ DM19999)
Special Register (D50000 ~ D53999)	Control Memory (CM0000 ~ CM3999)

■ KV-700 Series (CPU Direct Connection)

     Set up System Area here.

Device	Bit Address	Word Address	Particulars
Input/Output Relay	00000-59915	000-599	
Internal AUX Relay			
Control Relay	CR0000-CR3915	CR00-CR39	
Timer (contact)	T000-T511	_____	
Counter (contact)	C000-C511	_____	
High-Speed Counter Comparator (contact)	CTC0-CTC3	_____	*1
Timer (set value)	_____	TS000-TS511	*2
Counter (set value)	_____	CS000-CS511	*2
Timer (current value)	_____	TC000-TC511	*2
Counter (current value)	_____	CC000-CC511	*2
Data Memory	_____	DM00000-DM39999	Bit 5
Temporary Data Memory	_____	TM000-TM511	Bit 5
Control Memory	_____	CM0000-CM3999	Bit 5
Digital Trimmer	_____	TRM0-TRM7	*2
High-Speed Counter (current value)	_____	CTH0-CTH1	*2
High-Speed Counter Comparator (set value)	_____	CTC0-CTC3	*2

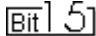
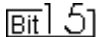
L/H

\*1 Not available for writes.

\*2 32-bit device

■ **KV Series** (KV-10RW/KV-10T2W/KV-16RW/KV-16T2W/KV-24RW/KV-24T2W/KV-40RW/KV-40T2W/KV-80RW/KV-80TW)

 Set up System Area here.

Device	Bit Address	Word Address	Particulars	
Input/Output Relay	00000 - 00915		L/H	
Internal AUX Relay	01000 - 01915	_____		*1
	03000 - 06915			
Special AUX Relay	02000 - 02915	_____		*1
Timer (contact)	T000 - T119	_____		
Counter (contact)	C000 - C119	_____		
High-Speed Counter Comparator (contact)	CTC0 - CTC3	_____		*2
Timer (set value)	_____	TS000 - TS119		
Counter (set value)	_____	CS000 - CS119		
Timer (current value)	_____	TC000 - TC119		
Counter (current value)	_____	CC000 - CC119		
Data Memory	_____	DM0000 - DM1999		
Temporary Data Memory	_____	TM00 - TM31		
Analog Timer	_____	AT0 - AT1		*2
High-Speed Counter (current value)	_____	CTH0 - CTH1		
High-Speed Counter Comparator (set value)	_____	CTC0 - CTC3		

\*1 Some addresses are not available for writes.

\*2 Not available for writes



**The device ranges available will depend on the PLC model used. Be sure to check your PLC's manual prior to connecting it to the GP.**

■ KV-1000 Series (Using KZ-A500 [LINK] Protocol)

     Set up System Area here.

Device	Bit Address	Word Address	Remarks
Input Relay	X(Y)0000 to X(Y)000F	X(Y)0000 to X(Y)0000	<span style="border: 1px solid black; padding: 2px;">***0</span> *1*2
Output Relay	X(Y)0050 to X(Y)0057	X(Y)0050 to X(Y)0050	<span style="border: 1px solid black; padding: 2px;">***0</span> *2
Internal AUX Relay	X(Y)0100 to X(Y)257F	X(Y)0100 to X(Y)2570	<span style="border: 1px solid black; padding: 2px;">***0</span> *2
	M0000 to M8991	M0000 to M8976	<span style="border: 1px solid black; padding: 2px;">÷16</span>
Latch Relay	L0000 to L8991	L0000 to L8976	<span style="border: 1px solid black; padding: 2px;">÷16</span>
Control Relay	B00000 to B0027F	—————	*3
Timer (Contact)	TS0000 to TS3999	—————	*4
Counter (Contact)	CS0000 to CS3999	—————	*4
High-speed Counter Comparator (Contact)	CS4000 to CS4003	—————	*4*5
Timer (Current Value)	—————	TN0000 to TN3999	*4
Counter (Current Value)	—————	CN0000 to CN3999	*4
High-speed Counter (Current Value)	—————	CN4000 to CN4001	*4
Data Memory	—————	D00000 to D65534	<span style="border: 1px solid black; padding: 2px;">Bit15</span>
Extended Data Memory	—————	W0000 to W7FFE	<span style="border: 1px solid black; padding: 2px;">BitF</span> *2
	—————	R00000 to R65534	<span style="border: 1px solid black; padding: 2px;">Bit15</span>

L/H

- \*1 Data cannot be written to a device by either the PLC or the GP unit.
- \*2 Addresses must be specified using hexadecimal numbers.
- \*3 Some addresses are not available for writes. For details, please refer to your Keyence manual.
- \*4 Only available when the timer command, the counter command, and the high-speed timer command exist in the ladder program.
- \*5 Writing data from the GP will cause a Host Communication Error (02:06).

The following table shows the device display format used by GP-PRO/PBIII for Windows (KZ-A500[LINK]) and the equivalent format used for the KV-1000.

■ **KZ-A500[LINK] protocol device ranges and KV-1000 device ranges.**

Device	KZ-A500(LINK) Protocol	KV-1000
Input Relay	X(Y)0000 to X(Y)000F	R00000 to R00015
Output Relay	X(Y)0050 to X(Y)0057	R00500 to R00507
Internal AUX Relay	X(Y)0100 to X(Y)257F	R01600 to R59915
Internal AUX Relay	M0000 to M8991	MR00000 to MR56115
Internal AUX Relay*1	M08992 to M15999	MR56200 to MR99915
Latch Relay	L0000 to L8991	LR00000 to LR56115
Latch Relay *1	L08992 to L15999	LR56200 to LR99915
Control Relay	B000 to B27F	CR0000 to CR3915
Timer (Contact)	TS0000 to TS3999	T0000 to T3999
Counter (Contact)	CS0000 to CS3999	C0000 to C3999
High-speed Counter Comparator (Contact)	CS4000 to CS4003	CTC0 to CTC3
Timer (Current Value)	TN0000 to TN3999	T0000 to T3999
Counter (Current Value)	CN0000 to CN3999	C0000 to C3999
High-speed Counter (Current Value)	CN4000 to CN4001	CTH0 to CTH1
Data Memory	D00000 to D65534	DM00000 to DM65534
Extended Data Memory	W0000 to W7FFE	FM00000 to FM32766
	R00000 to R65534	EM00000 to EM65534
High-speed Counter Comparator (Current Value) *1	R84000 to R84003	CTC0 to CTC3
Temporary Data Memory *1	D70000 to D70511	TM000 to TM511
Index Register *1	D70601 to D70612	Z01 to Z12
Digital Trimmer *1	D70800 to D70807	AT0 to AT7
Control Memory *1	D80000 to D91998	CM00000 to CM11998

\*1 Device that cannot be set (entered) or accessed by the GP.



■ **KV-1000 Series** (Direct CPU connection)

     Set up System Area here.

Device	Bit Address	Word Address	Remarks
Input Relay	00000 to 59915	0000 to 0599	
Internal Retain Relay			
Control Relay	CR0000 to CR3915	CR00 to CR39	
Internal AUX Relay	MR00000 to MR99915	MR000 to MR999	
Latch Relay	LR00000 to LR99915	LR000 to LR999	
Timer (Contact)	T0000 to T3999	_____	
Counter (Contact)	C0000 to C3999	_____	
High-speed Counter Comparator (Contact)	CTC0 to CTC3	_____	*1
Timer (Setting Value)	_____	TS0000 to TS3999	*2
Counter (Setting Value)	_____	CS0000 to CS3999	*2
Timer (Current Value)	_____	TC0000 to TC3999	*2
Counter (Current Value)	_____	CC0000 to CC3999	*2
Data Memory	_____	DM00000 to DM65534	Bit 15
Extended Data Memory EM	_____	EM00000 to EM65534	Bit 15
Extended Data Memory FM	_____	FM00000 to FM32766	Bit 15
Temporary Data Memory	_____	TM000 to TM511	Bit 15
Control Memory	_____	CM00000 to CM11998	Bit 15
Index Register	_____	Z01 to Z12	Bit 15
Digital Trimmer	_____	TRM0 to TRM7	*2
High-speed Counter (Current Value)	_____	CTH0 to CTH1	*2
High-speed Counter Comparator (Setting Value)	_____	CTC0 to CTC3	*2

L/H

\*1 Data write is not possible. If data write is attempted, a Host communication error (02:02) will appear.

\*2 32-bit device

\*3 Do not write to Z11, Z12. These are reserved for PLC system use.

## 2.18.4 Environment Setup

The following lists Digital's recommended PLC and GP communication setups.

### ■ KZ-300/KZ-350 Series

GP Setup		PC Link Unit Setup	
Baud Rate	19200 bps	Baud Rate	19200 bps
Data Length	7 bits	Data Bit	7 bits
Stop Bit	2 bits	Stop Bit	2 bits
Parity Bit	Even	Parity Bit	Even
Data Flow Control	ER Control	---	
Communication Format (RS-232C)	RS-232C	Port 2 Toggle Switch (RS-232C) <sup>*1</sup>	RS-232C
Communication Format (RS-422)	4-wire type	Port 2 Toggle Switch (RS-422) <sup>*1</sup>	RS-422A
---		RUN Mode	Link Mode
Unit No.	0	Station Number	0

*\*1 Setup not necessary when using Port1.*

### ■ KZ-A500 (CPU Direct Connection)

GP Setup		PLC Setup
Baud Rate	9600 bps	---
Data Length	8 bits (fixed)	---
Stop Bit	1 bit (fixed)	---
Parity Bit	Odd (fixed)	---
Data Flow Control	ER Control	---
Communication Format (RS-232C)	RS-232C	---
Unit No.	0 (fixed)	---



#### Effect of PLC program on cycle time

If the KZ-A500 is connected directly to the CPU, the cycle time of the PLC program is delayed by about 8% after communication with the GP begins.

■ **KZ-A500** (using Link I/F)

GP Setup		PLC Setup	
Baud Rate	19200bps <sup>*1</sup>	Baud Rate	19200bps
Data Length	7 bits	Data Length	7 bits
Stop Bit	1 bit	Stop Bit	1 bit
Parity Bit	None	Parity Bit	None
Data Flow Control	ER	_____	_____
Communication Format (RS-232C)	RS-232C	RS-232C Communication Port	Port 1 or Port 2 <sup>*2</sup>
Communication Format (RS-422)	4-Wire Type	RS-422 C Communication Port	Port 2 <sup>*3</sup>
_____		Communication Type	Normal
_____		Changing device data during RUN	Possible
_____		Checksum	Yes
_____		Operation Mode	Protocol Mode 4
Unit No.	0	STATION No.	0

\*1 The maximum baud rate is 38400bps.

\*2 When using an RS-232C cable on port 2, be sure to set the INTERFACE switch to “232C”(right side setting.) Also, set the TERMINATOR switch to OFF, since it will not be used.

\*3 When using an RS-422 cable, set the INTERFACE switch to “422”(left side setting.) and the TERMINATOR switch to ON.

■ **Visual KV/KV-700/KV1000 Series** (CPU Direct Connection)

GP Setup		PLC Setup	
Baud Rate	19200bps	_____	_____
Data Length	8 bits (fixed)	_____	_____
Stop Bit	1 bit (fixed)	_____	_____
Parity Bit	Even (fixed)	_____	_____
Data Flow Control	ER Control	_____	_____
Communication Format	RS-232C	_____	_____
Unit No.	0	_____	_____



- The KV/KV700 baud rates can be from 9600 to 57600 bps. The KV1000 baud rate can be from 9600 to 115200bps.
- The PLC requires no setup due to its automatic recognition of settings.

### ■ KV-700 Series (using the KZ-300 series protocol)

GP Setup		PLC Setup	
Baud Rate	19200bps <sup>*1</sup>	Baud Rate	19200bps
Data Length	7 bits	Data Length	7 bits
Stop Bit	2 bits	Stop Bit	2 bits
Parity Bit	Even	Parity Bit	Even
Data Flow Control	ER Control	RS, CS Flow Control	No
Communication Format (RS-232C)	RS-232C	Communication Port 1	Fixed to 232C
		Communication Port 2 Selector Switch	232C
Communication Format (RS-422)	4-Wire Type	Communication Port 2 Selector Switch	422A
—————		Operation Mode	Link Mode
Unit No.	0	Station No.	0

*\*1 The maximum baud rate is 115,200 bps.*

### ■ KV-700 Series (using the KZ-A500 series protocol)

GP Setup		PLC Setup	
Baud Rate	19200bps <sup>*1</sup>	Baud Rate	19200bps
Data Length	7 bits	Data Length	7 bits
Stop Bit	1 bits	Stop Bit	1 bits
Parity Bit	None	Parity Bit	None
Data Flow Control	ER Control	—————	
Communication Format (RS-232C)	RS-232C	Communication Port 1	Fixed to 232C
		Communication Port 2 Selector Switch	232C
Communication Format (RS-422)	4-Wire Type	Communication Port 2 Selector Switch	422A
—————		Operation Mode	Protocol Mode 4
—————		Checksum	Yes
Unit No.	0	Station No.	0

*\*1 The maximum baud rate is 115,200 bps.*

■ KV Series (CPU Direct Connection)

GP Setup		PLC Setup	
Baud Rate	19200bps	_____	_____
Data Length	8 bits (fixed)	_____	_____
Stop Bit	1 bit (fixed)	_____	_____
Parity Bit	Even (fixed)	_____	_____
Data Flow Control	ER Control	_____	_____
Communication Format	RS-232C	_____	_____
Unit No.	0 (fixed)	_____	_____



- Note:**
- The baud rate can be from 9600 to 38400 bps.
  - The PLC requires no setup due to its automatic recognition of settings.
  - If your ladder program is currently stopped and you attempt data transfer at 38400 bps, a communication error can occur. If it does, either change to RUN mode, or use a different communication speed.

■ KV-1000 Series (Using KZ-A500 [LINK] Protocol)

GP Settings		PLC Settings	
Baud Rate	19200bps <sup>*1</sup>	Baud Rate	19200bps
Data Length	7 bits	Data Length	7 bits
Stop Bit	1 bit	Stop Bit	1 bit
Parity Bit	None	Parity Bit	None
Data Flow Control	ER Control	_____	
Communication Format (RS-232C)	RS-232C	Communication Port 1	Fixed to RS-232C
		Communication Port 2 Selector Switch	RS-232C
Communication Format (RS-422)	4-Wire Type	Communication Port 2 Selector Switch	RS-422A/485
_____		Operation Mode	Protocol Mode 4
_____		Checksum	Yes
_____		Transfer Timeout Time	3
Unit No.	0	Station No.	0

\*1 Baud rate can be set as high as 115,200bps.



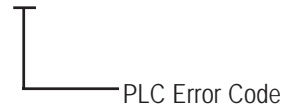
- Data transfer port 1 is fixed at RS-232C.
- Note:** Communication Port 2 can be set to either RS-232C or RS-422A/485. Use the selector switch on the side of the unit to set the communication format.

## 2.18.5 Error Codes

### ■ PLC Error Codes

Controller error codes are indicated by the "Host communication error (02:\*\*)", and appear in the left lower corner of the GP screen. (\*\* stands for an error code.)

Host Communication Error (02:\*\*)



### ◆ Visual KV/KV-700 Series/KV1000 (CPU Direct Connection)

<PLC Error Code>

Error Code	Description
02	Occurs when you write to a device that cannot be written to. (High Speed Counter Comparator (contact))
04	Occurs when the PLC uses an unsupported baud rate to send data.
31	Occurs when an undefined device is accessed. <sup>*1</sup>

*\*1 When writing to a Timer (contact/current value/set value), Counter (contact/current value/set value), High Speed Counter, High Speed Counter Comparator (set value), these values must be set in advance using a Ladder Program.*

### ◆ KV Series (CPU Direct Connection)

<PLC Error Code>

Error Code	Description
02	A ladder program has not yet been set up in the PLC.
04	A Device was accessed that has not yet been defined.
13	Setting values were attempted to be changed for a write-protected program's Counters, Timers, and High-speed Counter Comparator.