

# Device/PLC Connection Manuals

---



## About the Device/PLC Connection Manuals

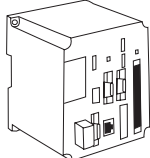


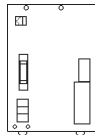
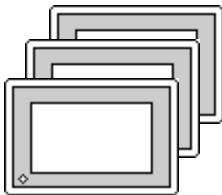
Prior to reading these manuals and setting up your device, be sure to read the "Important: Prior to reading the Device/PLC Connection manual" information. Also, be sure to download the "Preface for Trademark Rights, List of Units Supported, How to Read Manuals and Documentation Conventions" PDF file. Furthermore, be sure to keep all manual-related data in a safe, easy-to-find location.

# 7.8 Yaskawa Electric Corporation

## 7.8.1 System Structure for Ethernet Connection

This section explains the system structures available for the Ethernet connection between Yaskawa Electric Corporation PLCs and GP/GLC units.

### ■ MP2300 Series

CPU	Link I/F	Cables	Unit	GP
	Ethernet Unit 			
JEPMC-MP2300	218IF-01 (JAPMC-CM2300)	Ethernet cable (IEEE802.3 Compliant)	Digital's GP Ethernet I/F Unit GP070-ET11 GP070-ET41 GP377-MLTE11 GP377-MLTE41 GP077-MLTE41	GP/GLC Series <sup>*1</sup>

\*1 When using GP/GLC and the optional Ethernet I/F unit, refer to the following List of Connectable GP/GLC Units.

Series Name		Product Name	Optional Ethernet I/F Unit	Built-in Ethernet Port
GP77R Series	GP-377R Series	GP-377RT	○ <sup>*1 *2</sup>	x
	GP-477R Series	GP-477RE	○ <sup>*2</sup>	x
	GP-577R Series	GP-577RS	○ <sup>*2</sup>	x
		GP-577RT	○ <sup>*2</sup>	x
GP2000 Series	GP-2300 Series	GP-2300L	x	○
		GP-2300S	x	○
		GP-2300T	x	○
	GP-2400 Series	GP-2400T	x	○
		GP-2500 Series	GP-2500L	○ <sup>*3 *4</sup>
	GP-2500S		○ <sup>*3 *4</sup>	○
	GP-2500T		○ <sup>*3 *4</sup>	○
	GP-2501 Series	GP-2501L	○ <sup>*2 *3</sup>	x
		GP-2501S	○ <sup>*2 *3</sup>	x
		GP-2501T	○ <sup>*2 *3</sup>	x
GP-2600 Series	GP-2600T	○ <sup>*3 *4</sup>	○	
GP-2601 Series	GP-2601T	○ <sup>*2 *3</sup>	x	
GLC2000 Series	GLC-2300 Series	GLC-2300L	x	○
		GLC-2300T	x	○
	GLC-2400 Series	GLC-2400T	x	○
	GLC-2600 Series	GLC-2600T	○ <sup>*3 *4</sup>	○

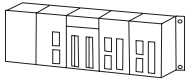


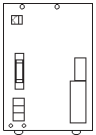
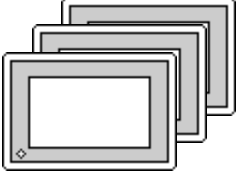
\*1 Only the Multi Unit can be used.

\*2 The 2-Way Driver (Pro-Server, GP-Web and others) cannot be used.

\*3 When using optional Ethernet I/F unit, a bus conversion unit (PSL-CONV000) is required.

\*4 Using the optional Ethernet I/F Unit allows you to set up separate Class and Net No.s for 2-Way Driver applications (Pro-Server, GP-Web and others) and the PLC. When doing this, data transfer with the PLC is performed through the optional Ethernet I/F Unit.

■ MP920 Series

CPU	LinkI/F	Cables	Unit	GP
	Ethernet Unit 			
JEPMC-CP200 JEPMC-CP210	2181F (JEPMC-CM210)	Ethernet cable (IEEE802.3 Compliant)	Digital's GP Ethernet I/F Unit GP070-ET11 GP070-ET41 GP377-MLTE11 GP377-MLTE41 GP077-MLTE41	GP/GLC Series <sup>*1</sup>

\*1 When using GP/GLC and the optional Ethernet I/F unit, refer to the following List of Connectable GP/GLC Units.

Series Name		Product Name	Optional Ethernet I/F Unit	Built-in Ethernet Port	
GP77R Series	GP-377R Series	GP-377RT	○ <sup>*1 *2</sup>	x	
	GP-477R Series	GP-477RE	○ <sup>*2</sup>	x	
	GP-577R Series	GP-577RS	○ <sup>*2</sup>	x	
		GP-577RT	○ <sup>*2</sup>	x	
GP2000 Series	GP-2300 Series	GP-2300L	x	○	
		GP-2300S	x	○	
		GP-2300T	x	○	
	GP-2400 Series	GP-2400T	x	○	
		GP-2500 Series	GP-2500L	○ <sup>*3 *4</sup>	○
			GP-2500S	○ <sup>*3 *4</sup>	○
	GP-2500T		○ <sup>*3 *4</sup>	○	
	GP-2501 Series	GP-2501L	○ <sup>*2 *3</sup>	x	
		GP-2501S	○ <sup>*2 *3</sup>	x	
		GP-2501T	○ <sup>*2 *3</sup>	x	
GP-2600 Series	GP-2600T	○ <sup>*3 *4</sup>	○		
	GP-2601 Series	GP-2601T	○ <sup>*2 *3</sup>	x	
GLC2000 Series	GLC-2300 Series	GLC-2300L	x	○	
		GLC-2300T	x	○	
	GLC-2400 Series	GLC-2400T	x	○	
	GLC-2600 Series	GLC-2600T	○ <sup>*3 *4</sup>	○	

\*1 Only the Multi Unit can be used.

\*2 The 2-Way Driver (Pro-Server, GP-Web and others) cannot be used.

\*3 When using optional Ethernet I/F unit, a bus conversion unit (PSL-CONV000) is required.

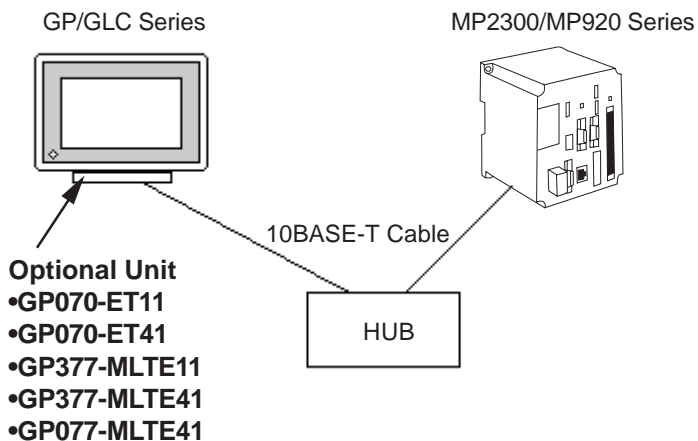
\*4 Using the optional Ethernet I/F Unit allows you to set up separate Class and Net No.s for 2-Way Driver applications (Pro-Server, GP-Web and others) and the PLC. When doing this, data transfer with the PLC is performed through the optional Ethernet I/F Unit.



**Note:** For cable connection and **Optional Unit** information, refer to the user's manual for each optional unit. For GP2000 and GLC2000 series units, and refer to that unit's User Manual.

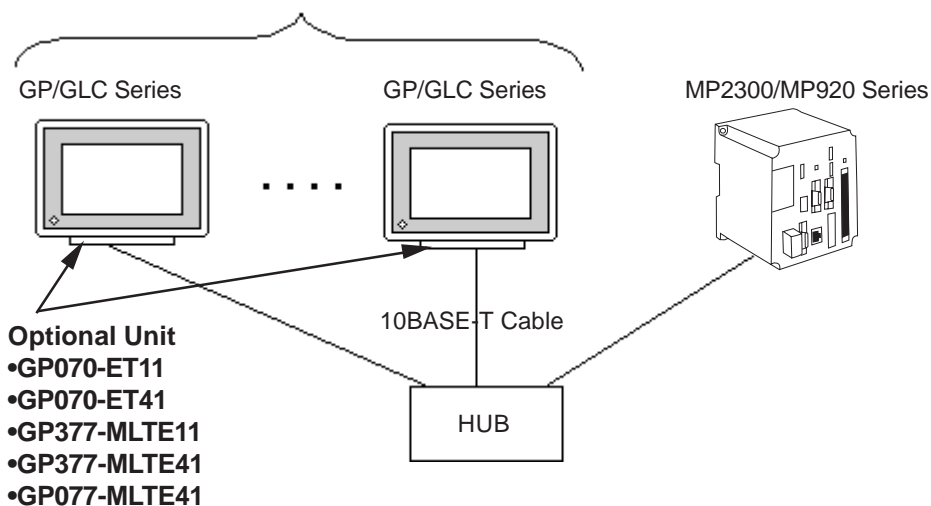
◆ **Connection Structure**

<1 : 1 connection>



<n : 1 connection>

**TCP Communication : Up to 10 units**  
**UDP Communication : Up to 10 units**



**7.8.2 Supported Devices**

The following list shows the range of devices supported by the GP/GLC.

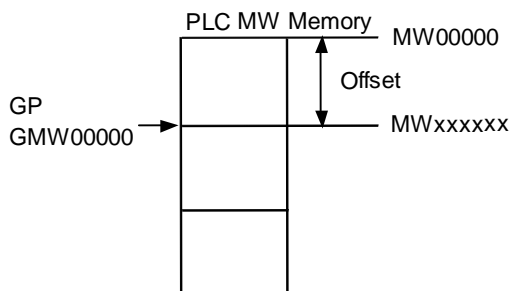
**■ MP2300/MP920 Series**      Setup System Area here.

Device	Bit Address	Word Address	Remark
Coil	GMB00000 ~ GMB4095F	GMB0000 ~ GMB4095	
Input Relay	GIB00000 ~ GIB0FFFF	GIB0000 ~ GIB0FFF	
Keep Register	—	GMW00000 ~ GMW32767	Bit F
Input Register	—	GIW0000 ~ GIW7FFF	Bit F

The GP unit's addresses are based on the PLC's actual addresses, with an offset added. The available GP and PLC addresses are listed below.

Device	Data in the GP	Data in the PLC
Coil (Bit)	GMB00000 ~ GMB4095F	MB00000+Offset ~ MB4095F+Offset
Coil (Word)	GMB0000 ~ GMB4095	MB0000+Offset ~ MB4095+Offset
Input Relay (Bit)	GIB00000 ~ GIB0FFFF	IB00000+Offset ~ IB0FFFF+Offset
Input Relay (Word)	GIB0000 ~ GIB0FFF	IB0000+Offset ~ IB0FFF+Offset
Keep Register	GMW00000 ~ GMW32767	MW00000+Offset ~ MW32767+Offset
Input Register	GIW0000 ~ GIW7FFF	IW0000+Offset ~ IW7FFF+Offset

Ex. If address GMW00000 is used, the offset value is added to the PLC's MW000000 and the result is used as the Start (top) address.



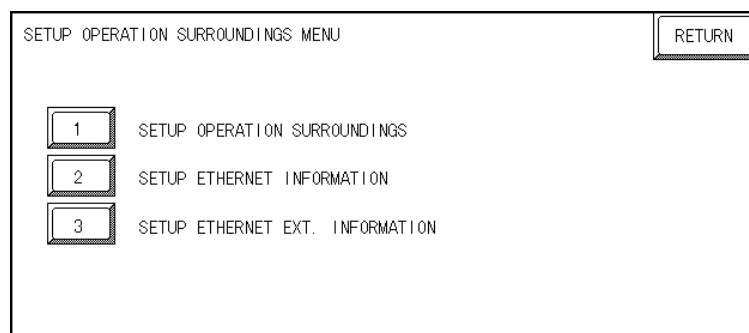
**7.8.3 Environment Setup**

The following table show Digital’s recommended YaskawaElectric Corporation PLC Ethernet communication settings and their corresponding settings on the GP.

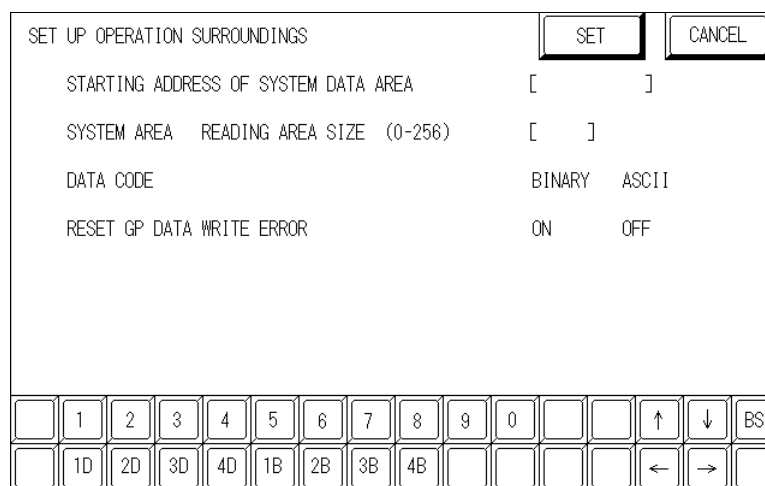
GP Setting		PLC Setting	
SRC IP Address	GP IP Address *1	DEST IP Address	GP IP Address
SRC Port No.	GP Port No. *2	Dest Port No.	GP Port No.
DEST IP Address	PLC IP Address *1	SRC IP Address	PLC IP Address
DEST Port No.	PLC Port No.	SRC Port No.	PLC Port No.
Communication Method	TCP or UDP	Connection Type	TCP or UDP
Data Code Setting	Binary or ASCII	Code	BIN or ASCII
—	—	Driver Type	Exp. Memo Bus

**GP Unit Setup**

The following describes GP settings for using Ethernet communication.



**SET UP OPERATION SURROUNDINGS**



**•DATA CODE**

This selection controls the type of DATA CODE settings used. Select either BINARY or ASCII, and confirm that the PLC settings are the same.

SETUP ETHERNET INFORMATION		SET	CANCEL																														
SRC IP ADDRESS	[   ] . [   ] . [   ] . [   ]																																
SRC PORT NO.	[   ]																																
DEST IP ADDRESS	[   ] . [   ] . [   ] . [   ]																																
DEST PORT NO.	[   ]																																
PROTOCOL TYPE	UDP          TCP																																
<table border="1"> <tr> <td></td><td>1</td><td>2</td><td>3</td><td>4</td><td>5</td><td>6</td><td>7</td><td>8</td><td>9</td><td>0</td><td></td><td>↑</td><td>↓</td><td>BS</td> </tr> <tr> <td></td><td></td><td></td><td></td><td></td><td></td><td></td><td></td><td></td><td></td><td></td><td></td><td>←</td><td>→</td><td></td> </tr> </table>					1	2	3	4	5	6	7	8	9	0		↑	↓	BS													←	→	
	1	2	3	4	5	6	7	8	9	0		↑	↓	BS																			
												←	→																				

- **SRC IP ADDRESS**

Enter GP's SRC IP Address. Input a dot between every 8 bits to divide the IP Address (32 bits all together) into four groups, and enter decimal numbers in each groups.

- **SRC PORT NO.**

Set the SRC Port No. between 1024 and 65535.

- **DEST IP ADDRESS**

Set the PROSEC's DEST IP Address.

- **DEST PORT NO.**

Set the DEST Port No. between 1024 and 65535.

- **PROTOCOL TYPE**

You can select either UDP or TCP communication. If the power will be turned ON/OFF synchronously, it is recommended that you use UDP communication.



For the IP addresses, check with the network manager. Do not specify any duplicate IP address.



**When using the built-in Ethernet port on a GP2000 or GLC2000 series unit, be sure not to set any duplicate "SRC PORT No." values.**

**Check the 2-way driver's "SRC PORT No." setting via the following menu:**

**GP OFFLINE mode's Main menu [INITIALIZE] -> [SETUP OPERATION SURROUNDINGS] -> [EXTENDED SETTINGS] -> [SETUP ETHERNET INFORMATION].**

**The default value is 8000. The 2-way driver uses this port and the following 9 ports (8000 ~ 8009). Be sure not to use Port No.s 5001 and 5002, since they are used by the PLC's Ethernet Unit.**

◆ **SET UP NETWORK EXT. INFORMATION**

SETUP NETWORK EXT. INFORMATION												SET	CANCEL	
SEND WAIT TIME	[		]	(ms)										
TIMEOUT	[		]	(x 2sec)										
IP ROUTER ADDRESS	[		]	.	[		]	.	[		]	.	[	
SUBNET MASK	[		]	.	[		]	.	[		]	.	[	
UDP RETRY COUNT(0-255)	[		]											

	1	2	3	4	5	6	7	8	9	0			↑	↓	BS
													←	→	

• **SEND WAIT TIME (0 to 255)**

Wait time can be added when a command is transmitted from the GP. Use the wait time if the traffic on the communications line is heavy. If no wait time is required, enter “0.”

• **TIMEOUT (0 to 65535)**

Enter the desired timeout value. If no response is received from the other station within the specified time, a timeout occurs. If “0” is specified, the default time is 15 seconds when it is TCP communication, and is 5 seconds when it is UDP communication.

• **IP ROUTE ADDRESS**

Enter the IP address of the router (only one). If no router is used, enter “0” in all fields.

• **SUBNET MASK**

Enter subnet masks. If no subnet mask is used, enter “0” in all fields.

• **UDP RETRY COUNT (0 to 255)**

Designates the number of times the GP re-sends a command when there is no reply from the other port and a timeout occurs. When no reply is received after the re-try setting number is reached, an error message will appear on the GP screen.



***If the memory is initialized in the OFFLINE mode, random values may be included. Be sure to check the displayed values.***



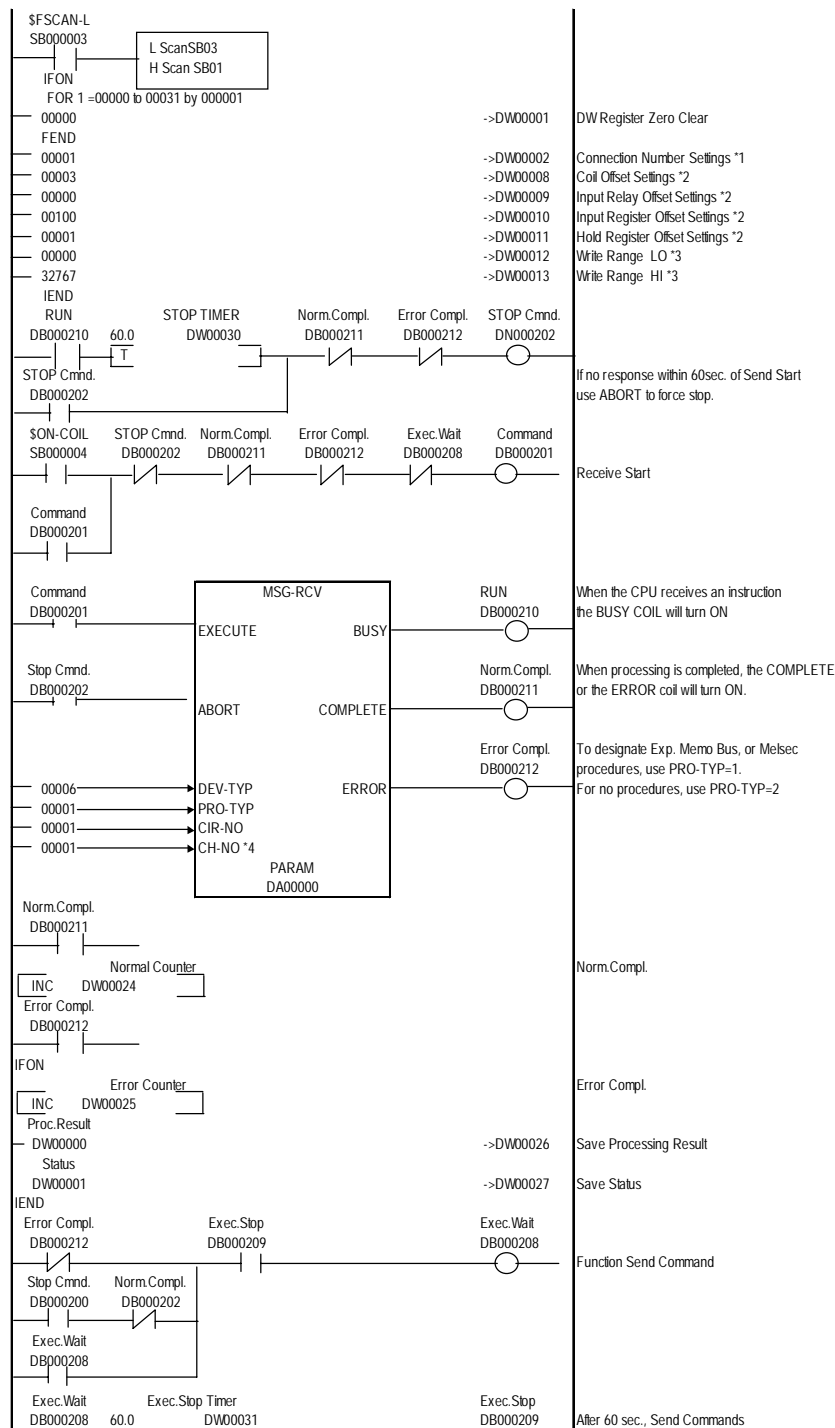
■ PLC Setting

Settings are entered using the CPMC-MPE720 Programming Software (Ver. 4.4 or later) [Parameter Setup] screen.

When transferring data between a GP to an MP2300/MP920 Series unit, the PLC's [Message Received Ladder Program] is required. When connecting multiple GP Series units via a single ladder program, be sure to insert special ladder program data for each GP connected. For details,

▼ **Reference** Yaskawa's Machine Controller MP2300 Communication Module User Manual.

◆ **MP2300/MP920 Series Message Received Ladder Program (Slavefunction<MSB-RCV>)**



- \*1 When connecting multiple GP units, be sure to designate unique connection numbers for each GP.
- \*2 Be sure to enter the offset value for each device used.
- \*3 Be sure to designate the Hold Register's write area (range).
- \*4 When connecting multiple GP units, be sure to designate unique channel numbers for each GP.

**7.8.4 Error Code**

**Reference** About the GP Ethernet Specific Error Codes, refer to the “Protocol Stack Error Codes”.

**■ PLC ERROR CODES**

The PLC error codes are displayed by the “Host Communication Error (02:\*\*)”, and are indicated in the left lower corner of the GP screen. (\*\* indicates the PLC error codes.)

- MP2300/MP920 Series

Error Code	Contents
01	Function Code error
02	Coil, Input Relay, Register address error
03	Coil, Input Relay, Register amount error