



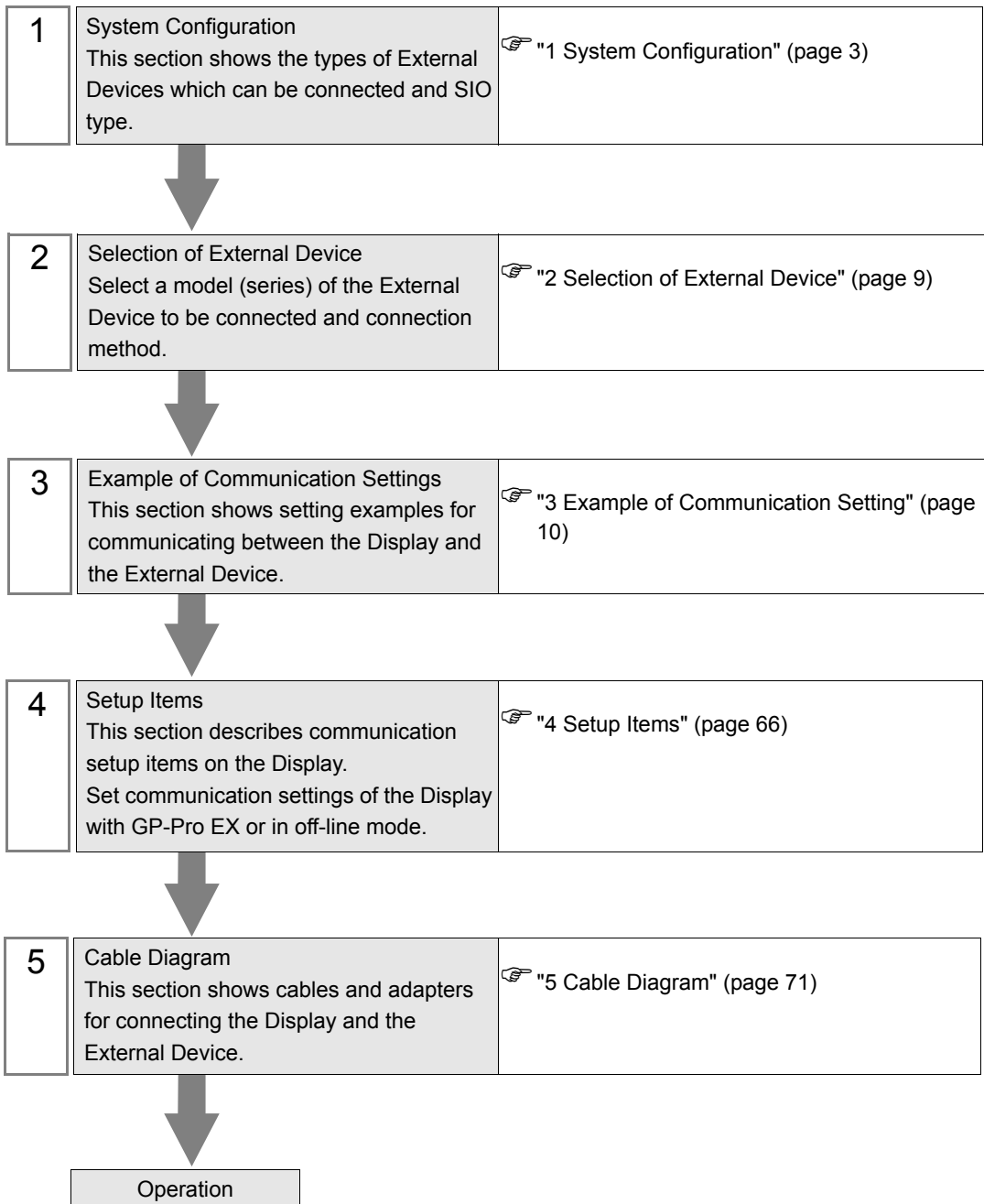
Temperature Controllers MODBUS SIO Driver

1	System Configuration.....	3
2	Selection of External Device	9
3	Example of Communication Setting.....	10
4	Setup Items	66
5	Cable Diagram	71
6	Supported Device.....	127
7	Device Code and Address Code.....	135
8	Error Messages	136

Introduction

This manual describes how to connect the Display and the External Device (target PLC).

In this manual, the connection procedure will be described by following the below sections:



1 System Configuration

The system configuration in the case when the External Device of CHINO Corporation and the Display are connected is shown.

Series	CPU	Link I/F	SIO Type	Setting Example	Cable Diagram
DB	DB1□□□B■□□-□□□ *1	Port on CPU unit	RS-232C	"Setting Example 1" (page 10)	"Cable Diagram 1" (page 71)
			RS-422/485 (2 wire)	"Setting Example 2" (page 12)	"Cable Diagram 3" (page 87)
			RS-422/485 (4 wire)	"Setting Example 3" (page 14)	"Cable Diagram 2" (page 74)
	DB2□□□□□□■-□□□ *2	Port on CPU unit	RS-232C	"Setting Example 4" (page 16)	"Cable Diagram 1" (page 71)
			RS-422/485 (2 wire)	"Setting Example 5" (page 18)	"Cable Diagram 3" (page 87)
			RS-422/485 (4 wire)	"Setting Example 6" (page 20)	"Cable Diagram 2" (page 74)
KP	KP1□□□C■□□-□□□ *1	Port on CPU unit	RS-232C	"Setting Example 7" (page 22)	"Cable Diagram 1" (page 71)
			RS-422/485 (2 wire)	"Setting Example 8" (page 24)	"Cable Diagram 3" (page 87)
			RS-422/485 (4 wire)	"Setting Example 9" (page 26)	"Cable Diagram 2" (page 74)
	KP2□□□□□□■-□□□ *2	Port on CPU unit	RS-232C	"Setting Example 10" (page 28)	"Cable Diagram 1" (page 71)
			RS-422/485 (2 wire)	"Setting Example 11" (page 30)	"Cable Diagram 3" (page 87)
			RS-422/485 (4 wire)	"Setting Example 12" (page 32)	"Cable Diagram 2" (page 74)
	KP3□0C□□■-□□□ *2	Port on CPU unit	RS-232C	"Setting Example 13" (page 34)	"Cable Diagram 1" (page 71)
			RS-422/485 (2 wire)	"Setting Example 14" (page 36)	"Cable Diagram 3" (page 87)
			RS-422/485 (4 wire)	"Setting Example 15" (page 38)	"Cable Diagram 2" (page 74)

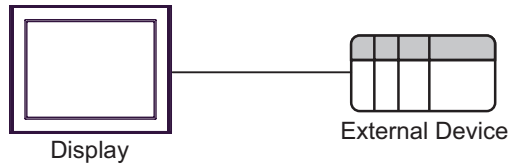
Continues to the next page.

Series	CPU	Link I/F	SIO Type	Setting Example	Cable Diagram
LT	LT23□□□■00-□□□ *3	Port on CPU unit	RS-422/485 (2 wire)	"Setting Example 16" (page 40)	"Cable Diagram 3" (page 87)
	LT3□□□□■00-□□□ *1	Port on CPU unit	RS-232C	"Setting Example 17" (page 42)	"Cable Diagram 1" (page 71)
			RS-422/485 (2 wire)	"Setting Example 18" (page 44)	"Cable Diagram 3" (page 87)
			RS-422/485 (4 wire)	"Setting Example 19" (page 46)	"Cable Diagram 2" (page 74)
	LT4□□□□■□□-□□□ *1 *4	Port on CPU unit	RS-232C	"Setting Example 20" (page 48)	"Cable Diagram 1" (page 71)
			RS-422/485 (2 wire)	"Setting Example 21" (page 50)	"Cable Diagram 3" (page 87)
LT830□□□000-■□□ *5	Port on CPU unit	RS-422/485 (2 wire)	"Setting Example 23" (page 54)	"Cable Diagram 3" (page 87)	
JU	JU□□□□□□□□513 *6 JU□□□□□□□□613 *7	Port on CPU unit	RS-422/485 (2 wire)	"Setting Example 24" (page 56)	"Cable Diagram 5" (page 113)
	JU□□□□□□□□■□□ *8 *9	Setting communications unit	RS-422/485 (2 wire)	"Setting Example 25" (page 58)	"Cable Diagram 4" (page 100)
			RS-422/485 (4 wire)	"Setting Example 26" (page 60)	"Cable Diagram 2" (page 74)
JW	JW□□□□□□□□■□□ *8	Setting communications unit	RS-422/485 (2 wire)	"Setting Example 27" (page 62)	"Cable Diagram 4" (page 100)
			RS-422/485 (4 wire)	"Setting Example 28" (page 64)	"Cable Diagram 2" (page 74)

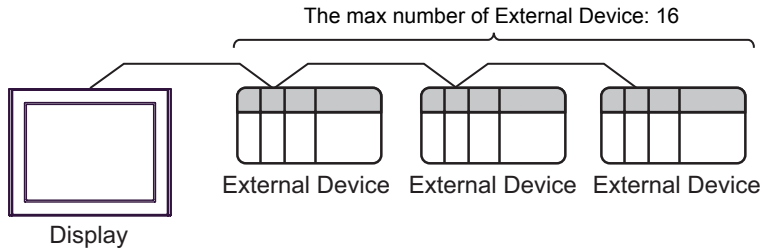
- *1 Only the External Device with the ■ part of the CPU type has codes blow can be used.
R (RS-232C), A (RS-422A), S (RS-485)
- *2 Only the External Device with the ■ part of the CPU type has codes blow can be used.
R (RS-232C), A (RS-422A), S (RS-485), B (RS-232C + RS-232C), C (RS-232C + RS-422A),
D (RS-232C + RS-485), E (RS-485 + RS-232C), F (RS-485 + RS-422A), G (RS-485 + RS-485)
- *3 Only the External Device with the ■ part of the CPU type has codes blow can be used.
S or 2 (RS-485)
- *4 To communicate with the Display, use LT400 series with Serial Number of LT4037**** or later. If one with
Serial Number of LT4036**** or earlier is used, an error will be displayed.
- *5 Only the External Device with the ■ part of the CPU type has codes blow can be used.
2 (RS-485)
- *6 JU series with temperature controller feature <Unit space Master>.
- *7 JU series without temperature controller feature <Unit space Slave>.
To communicate with the Display, connect JU series with temperature controller feature <Unit space Master>
(JU□□□□□□□□513) to make master and slave unit communication. Please refer to the External Device
manual on how to make unit communication.
- *8 Only the External Device with the ■ part of the CPU type has codes blow can be used.
3 or 4 (RS-422A, RS-485)
- *9 JU series Single-phase.

■ Connection Configuration

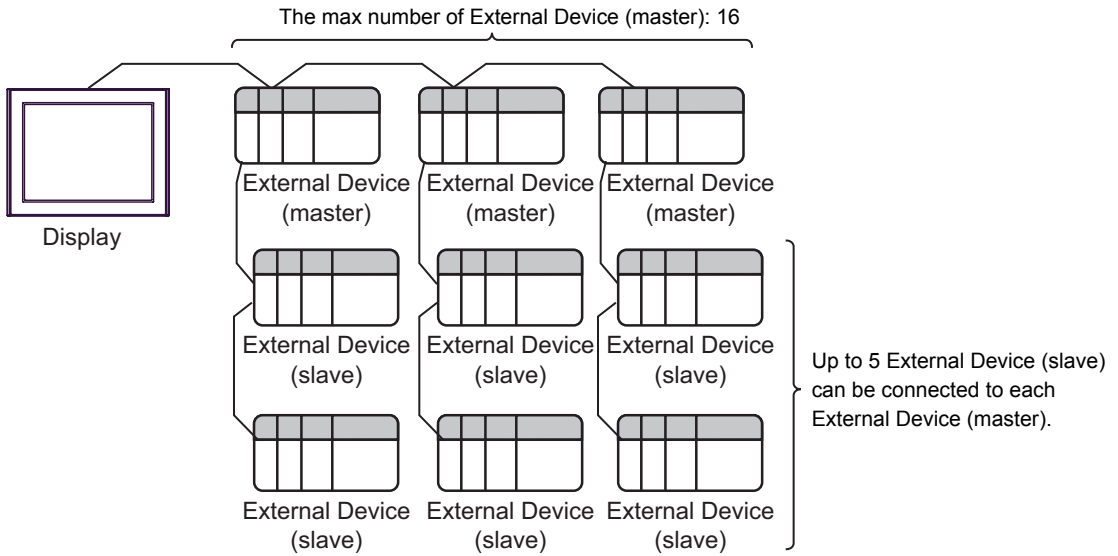
- 1:1 connection



- 1:n connection



- 1:n connection (For JU series with temperature controller feature)



■ IPC COM Port

When connecting IPC with an External Device, the COM port used depends on the series and SIO type. Please refer to the IPC manual for details.

Usable port

Series	Usable Port		
	RS-232C	RS-422/485(4 wire)	RS-422/485(2 wire)
PS-2000B	COM1 ^{*1} , COM2, COM3 ^{*1} , COM4	-	-
PS-3450A, PS-3451A, PS3000-BA, PS3001-BD	COM1, COM2 ^{*1*2}	COM2 ^{*1*2}	COM2 ^{*1*2}
PS-3650A (T41 model), PS-3651A (T41 model)	COM1 ^{*1}	-	-
PS-3650A (T42 model), PS-3651A (T42 model)	COM1 ^{*1*2} , COM2	COM1 ^{*1*2}	COM1 ^{*1*2}
PS-3700A (Pentium®4-M) PS-3710A	COM1 ^{*1} , COM2 ^{*1} , COM3 ^{*2} , COM4	COM3 ^{*2}	COM3 ^{*2}
PS-3711A	COM1 ^{*1} , COM2 ^{*2}	COM2 ^{*2}	COM2 ^{*2}
PS4000 ^{*3}	COM1, COM2	-	-
PL3000	COM1 ^{*1*2} , COM2 ^{*1} , COM3, COM4	COM1 ^{*1*2}	COM1 ^{*1*2}
PE-4000B Atom N270	COM1, COM2	-	-
PE-4000B Atom N2600	COM1, COM2	COM3 ^{*4} , COM4 ^{*4} , COM5 ^{*4} , COM6 ^{*4}	COM3 ^{*4} , COM4 ^{*4} , COM5 ^{*4} , COM6 ^{*4}
PS5000 (Slim Panel Type Core i3 Model) ^{*5*6}	COM1, COM2 ^{*4}	COM2 ^{*4}	COM2 ^{*4}
PS5000 (Slim Panel Type Atom Model) ^{*5*6}	COM1, COM2 ^{*7}	COM2 ^{*7}	COM2 ^{*7}
PS5000 (Enclosed Panel Type) ^{*8}	COM1	-	-
PS5000 (Modular Type PFXPU/PFXPP) ^{*5*6} PS5000 (Modular Type PFXPL2B5-6)	COM1 ^{*7}	COM1 ^{*7}	COM1 ^{*7}
PS5000 (Modular Type PFXPL2B1-4)	COM1, COM2 ^{*7}	COM2 ^{*7}	COM2 ^{*7}

*1 The RI/5V can be switched. Use the IPC's switch to change if necessary.

*2 Set up the SIO type with the DIP Switch. Please set up as follows according to SIO type to be used.

*3 When making communication between an External Device and COM port on the Expansion slot, only RS-232C is supported. However, ER (DTR/CTS) control cannot be executed because of the specification of COM port.

For connection with External Device, use user-created cables and disable Pin Nos. 1, 4, 6 and 9. Please refer to the IPC manual for details of pin layout.

*4 Set up the SIO type with the BIOS. Please refer to the IPC manual for details of BIOS.

- *5 When setting up communication between an External Device and the RS-232C/422/485 interface module, use the IPC (RS-232C) or PS5000 (RS-422/485) cable diagrams. However, when using PFXZPBMPR42P2 in a RS-422/485 (4-wire) configuration with no flow control, connect 7.RTS+ and 8.CTS+, and connect 6.RTS- and 9.CTS-.
When using RS-422/485 communication with External Devices, you may need to reduce the transmission speed and increase the TX Wait time.
- *6 To use RS-422/485 communication on the RS-232C/422/485 interface module, the DIP Switch setting is required. Please refer to "Knowledge Base" (FAQs) on the support site. (<http://www.pro-face.com/trans/en/manual/1001.html>)

Settings	FAQ ID
PFXZPBMPR42P2, RS422/485 change method	FA263858
PFXZPBMPR42P2 termination resistor setting	FA263974
PFXZPBMPR44P2, RS422/485 change method	FA264087
PFXZPBMPR44P2 termination resistor setting	FA264088

- *7 Set up the SIO type with the DIP Switch. Please refer to the IPC manual for details of DIP Switch. The BOX Atom has not a switch to set the RS-232C, RS-422/485 mode. Use the BIOS for the setting.
- *8 For the connection with the External Device, on the user-created cable read as if the connector on the Display-side is a M12 A-coding 8 pin socket. The pin assignment is the same as described in the cable diagram. For the M12 A-coding connector, use PFXZPSCNM122.

DIP Switch settings (PL3000 / PS3000 Series)

RS-232C

DIP Switch	Setting	Description
1	OFF*1	Reserved (always OFF)
2	OFF	SIO type: RS-232C
3	OFF	
4	OFF	Output mode of SD (TXD) data: Always output
5	OFF	Terminal resistance (220Ω) insertion to SD (TXD): None
6	OFF	Terminal resistance (220Ω) insertion to RD (RXD): None
7	OFF	Short-circuit of SDA (TXA) and RDA (RXA): Not available
8	OFF	Short-circuit of SDB (TXB) and RDB (RXB): Not available
9	OFF	RS (RTS) Auto control mode: Disabled
10	OFF	

*1 When using PS-3450A, PS-3451A, PS3000-BA and PS3001-BD, turn ON the set value.

RS-422/485 (4 wire)

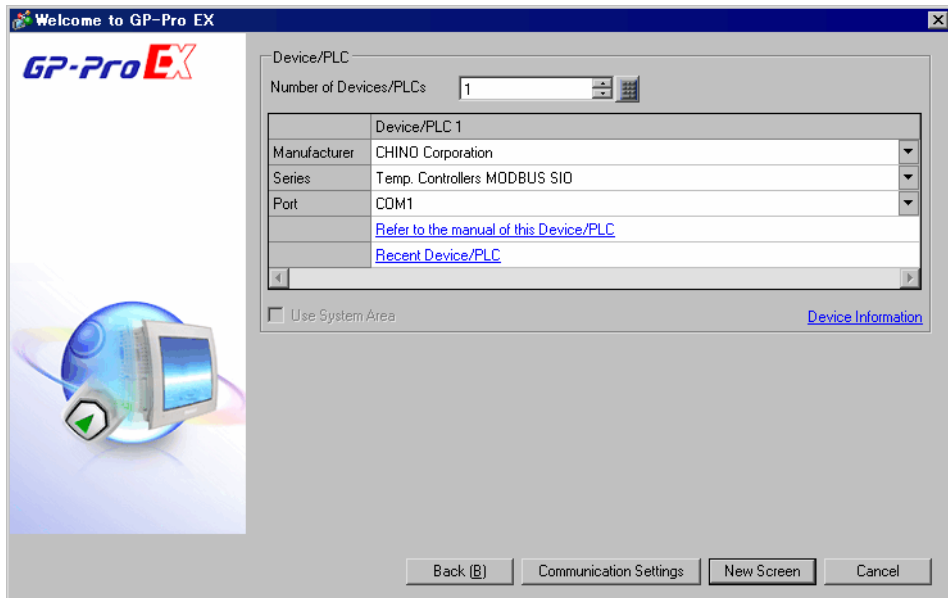
DIP Switch	Setting	Description
1	OFF	Reserved (always OFF)
2	ON	SIO type: RS-422/485
3	ON	
4	OFF	Output mode of SD (TXD) data: Always output
5	OFF	Terminal resistance (220Ω) insertion to SD (TXD): None
6	OFF	Terminal resistance (220Ω) insertion to RD (RXD): None
7	OFF	Short-circuit of SDA (TXA) and RDA (RXA): Not available
8	OFF	Short-circuit of SDB (TXB) and RDB (RXB): Not available
9	OFF	RS (RTS) Auto control mode: Disabled
10	OFF	

RS-422/485 (2 wire)

DIP Switch	Setting	Description
1	OFF	Reserved (always OFF)
2	ON	SIO type: RS-422/485
3	ON	
4	OFF	Output mode of SD (TXD) data: Always output
5	OFF	Terminal resistance (220Ω) insertion to SD (TXD): None
6	OFF	Terminal resistance (220Ω) insertion to RD (RXD): None
7	ON	Short-circuit of SDA (TXA) and RDA (RXA): Available
8	ON	Short-circuit of SDB (TXB) and RDB (RXB): Available
9	ON	RS (RTS) Auto control mode: Enabled
10	ON	

2 Selection of External Device

Select the External Device to be connected to the Display.



Setup Items	Setup Description
Number of Devices/PLCs	Enter an integer from 1 to 4 to define the number of Devices/PLCs to connect to the display.
Manufacturer	Select the manufacturer of the External Device to connect. Select "CHINO Corporation."
Series	Select the External Device model (series) and the connection method. Select "Temp. Controllers MODBUS SIO." In System configuration, make sure the External Device you are connecting is supported by "Temp. Controllers MODBUS SIO". ☞ "1 System Configuration" (page 3)
Port	Select the Display port to be connected to the External Device.
Use System Area	This driver cannot be used.

3 Example of Communication Setting

The following shows examples of communication settings of the Display and the External Device, which is recommended by Pro-face.

3.1 Setting Example 1

■ Settings of GP-Pro EX

◆ Communication Settings

To display the setup screen, from the [Project] menu, point to [System Settings] and select [Device/PLC].

Device/PLC 1

Summary [Change Device/PLC](#)

Manufacturer: CHIND Corporation Series: Temp. Controllers MODBUS SIO Port: COM1

Text Data Mode: 1 [Change](#)

Communication Settings

SIO Type: RS232C RS422/485(2wire) RS422/485(4wire)

Speed: 9600

Data Length: 7 8

Parity: NONE EVEN ODD

Stop Bit: 1 2

Flow Control: NONE ER(DTR/CTS) XON/XOFF

Timeout: 3 (sec)

Retry: 2

Wait To Send: 10 (ms)

RI / VCC: RI VCC

In the case of RS232C, you can select the 9th pin to RI (Input) or VCC (5V Power Supply). If you use the Digital's RS232C Isolation Unit, please select it to VCC.

Default


Device-Specific Settings

Allowable Number of Devices/PLCs: 16 [Add Device](#)

No.	Device Name	Settings	Add Indirect Device
1	PLC1	Series=DB1000 Series, Station No.=1	+

IMPORTANT • Set Wait To Send to 5ms or more.

◆ Device Setting

To display the [Individual Device Settings] dialog box, from [Device-Specific Settings] in the [Device/PLC] window, select the external device and click [Settings] .

To connect multiple External Devices, from [Device-Specific Settings] in the [Device/PLC] window, click [Add Device] to add another External Device.



■ Settings of External Device

Use the MODE key, SEL key, ENT key, shift key, down key and up key in front of the controller for communication settings of the External Device.

Please refer to the manual of the External Device for more details.

- 1 Press MODE key.
- 2 Press down/up key to move to "MODE7."
- 3 Press SEL key to display items to be set.
- 4 Press down/up key or shift key, select setting value, and press ENT key.

Setup Items	Setting Value
COM BIT RATE	9600bps
COM NUMBER	01
COM KIND	COM
COM PROTOCOL	MODBUS(RTU)
COM CHARACTER	8BIT/NON/STOP1

3.2 Setting Example 2

■ Settings of GP-Pro EX

◆ Communication Settings


To display the setup screen, from the [Project] menu, point to [System Settings] and select [Device/PLC].

IMPORTANT

- Setting value for Wait To Send differs depending on the connection configuration. Set as shown below.

Connection Configuration	Setting Value
1 : 1	5ms or more
1 : n	10ms or more

◆ Device Setting

To display the [Individual Device Settings] dialog box, from [Device-Specific Settings] in the [Device/PLC] window, select the external device and click [Settings] .

To connect multiple External Devices, from [Device-Specific Settings] in the [Device/PLC] window, click [Add Device] to add another External Device.

■ Settings of External Device

Use the MODE key, SEL key, ENT key, shift key, down key and up key in front of the controller for communication settings of the External Device.

Please refer to the manual of the External Device for more details.

- 1 Press MODE key.
- 2 Press down/up key to move to "MODE7."
- 3 Press SEL key to display items to be set.
- 4 Press down/up key or shift key, select setting value, and press ENT key.

Setup Items	Setting Value
COM BIT RATE	9600bps
COM NUMBER	01
COM KIND	COM
COM PROTOCOL	MODBUS(RTU)
COM CHARACTER	8BIT/NON/STOP1

3.3 Setting Example 3

■ Settings of GP-Pro EX

◆ Communication Settings

To display the setup screen, from the [Project] menu, point to [System Settings] and select [Device/PLC].

Device/PLC 1

Summary [Change Device/PLC](#)

Manufacturer CHINO Corporation Series Temp. Controllers MODBUS SIO Port COM1

Text Data Mode 1 [Change](#)

Communication Settings

SIO Type RS232C RS422/485(2wire) RS422/485(4wire)

Speed 9600

Data Length 7 8

Parity NONE EVEN ODD

Stop Bit 1 2

Flow Control NONE ER(DTR/CTS) XON/XOFF

Timeout 3 (sec)

Retry 2

Wait To Send 10 (ms)

RI / VCC RI VCC

In the case of RS232C, you can select the 9th pin to RI (Input) or VCC (5V Power Supply). If you use the Digital's RS232C Isolation Unit, please select it to VCC.

Default

Device-Specific Settings

Allowable Number of Devices/PLCs 16 [Add Device](#)

No.	Device Name	Settings
1	PLC1	Series=DB1000 Series,Station No.=1


Add Indirect Device

IMPORTANT

- Setting value for Wait To Send differs depending on the connection configuration. Set as shown below.

Connection Configuration	Setting Value
1 : 1	5ms or more
1 : n	10ms or more

◆ Device Setting

To display the [Individual Device Settings] dialog box, from [Device-Specific Settings] in the [Device/PLC] window, select the external device and click [Settings] .

To connect multiple External Devices, from [Device-Specific Settings] in the [Device/PLC] window, click [Add Device] to add another External Device.

Individual Device Settings

PLC1

Series DB1000 Series

Please reconfirm all of address settings that you are using if you have changed the series.

Station No. 1

Default

OK (O) Cancel

■ Settings of External Device

Use the MODE key, SEL key, ENT key, shift key, down key and up key in front of the controller for communication settings of the External Device.

Please refer to the manual of the External Device for more details.

- 1 Press MODE key.
- 2 Press down/up key to move to "MODE7."
- 3 Press SEL key to display items to be set.
- 4 Press down/up key or shift key, select setting value, and press ENT key.

Setup Items	Setting Value
COM BIT RATE	9600bps
COM NUMBER	01
COM KIND	COM
COM PROTOCOL	MODBUS(RTU)
COM CHARACTER	8BIT/NON/STOP1

3.4 Setting Example 4


■ Settings of GP-Pro EX

◆ Communication Settings

To display the setup screen, from the [Project] menu, point to [System Settings] and select [Device/PLC].

IMPORTANT • Set Wait To Send to 5ms or more.

◆ Device Setting

To display the [Individual Device Settings] dialog box, from [Device-Specific Settings] in the [Device/PLC] window, select the external device and click [Settings] .

To connect multiple External Devices, from [Device-Specific Settings] in the [Device/PLC] window, click [Add Device] to add another External Device.

■ Settings of External Device

Use the MODE key, SEL key, ENT key, shift key, down key and up key in front of the controller for communication settings of the External Device.

Please refer to the manual of the External Device for more details.

- 1 Press MODE key.
- 2 Press down/up key to move to "MODE7."
- 3 Press SEL key to display items to be set.
- 4 Press down/up key or shift key, select setting value, and press ENT key.

Setup Items	Setting Value
COM BIT RATE	9600bps
COM NUMBER	01
COM KIND	COM
COM PROTOCOL	MODBUS(RTU)
COM CHARACTER	8BIT/NON/STOP1

3.5 Setting Example 5

■ Settings of GP-Pro EX

◆ Communication Settings


To display the setup screen, from the [Project] menu, point to [System Settings] and select [Device/PLC].

IMPORTANT

- Setting value for Wait To Send differs depending on the connection configuration. Set as shown below.

Connection Configuration	Setting Value
1 : 1	5ms or more
1 : n	10ms or more

◆ Device Setting

To display the [Individual Device Settings] dialog box, from [Device-Specific Settings] in the [Device/PLC] window, select the external device and click [Settings] .

To connect multiple External Devices, from [Device-Specific Settings] in the [Device/PLC] window, click [Add Device] to add another External Device.

■ Settings of External Device

Use the MODE key, SEL key, ENT key, shift key, down key and up key in front of the controller for communication settings of the External Device.

Please refer to the manual of the External Device for more details.

- 1 Press MODE key.
- 2 Press down/up key to move to "MODE7."
- 3 Press SEL key to display items to be set.
- 4 Press down/up key or shift key, select setting value, and press ENT key.

Setup Items	Setting Value
COM BIT RATE	9600bps
COM NUMBER	01
COM KIND	COM
COM PROTOCOL	MODBUS(RTU)
COM CHARACTER	8BIT/NON/STOP1

3.6 Setting Example 6

■ Settings of GP-Pro EX

◆ Communication Settings


To display the setup screen, from the [Project] menu, point to [System Settings] and select [Device/PLC].

IMPORTANT

- Setting value for Wait To Send differs depending on the connection configuration. Set as shown below.

Connection Configuration	Setting Value
1 : 1	5ms or more
1 : n	10ms or more

◆ Device Setting

To display the [Individual Device Settings] dialog box, from [Device-Specific Settings] in the [Device/PLC] window, select the external device and click [Settings] .

To connect multiple External Devices, from [Device-Specific Settings] in the [Device/PLC] window, click [Add Device] to add another External Device.

■ Settings of External Device

Use the MODE key, SEL key, ENT key, shift key, down key and up key in front of the controller for communication settings of the External Device.

Please refer to the manual of the External Device for more details.

- 1 Press MODE key.
- 2 Press down/up key to move to "MODE7."
- 3 Press SEL key to display items to be set.
- 4 Press down/up key or shift key, select setting value, and press ENT key.

Setup Items	Setting Value
COM BIT RATE	9600bps
COM NUMBER	01
COM KIND	COM
COM PROTOCOL	MODBUS(RTU)
COM CHARACTER	8BIT/NON/STOP1

3.7 Setting Example 7

■ Settings of GP-Pro EX


◆ Communication Settings

To display the setup screen, from the [Project] menu, point to [System Settings] and select [Device/PLC].

The screenshot shows the 'Device/PLC 1' configuration window. It has a 'Summary' section with fields for 'Manufacturer' (CHINO Corporation), 'Series' (Temp. Controllers MODBUS SIO), and 'Port' (COM1). Below is the 'Communication Settings' section with various radio buttons and spinners for parameters like SIO Type, Speed, Data Length, Parity, Stop Bit, Flow Control, Timeout, Retry, and Wait To Send. At the bottom, there are 'Device-Specific Settings' including an 'Add Device' button and a table with columns for 'No.', 'Device Name', and 'Settings'.

IMPORTANT • Set Wait To Send to 5ms or more.

◆ Device Setting

To display the [Individual Device Settings] dialog box, from [Device-Specific Settings] in the [Device/PLC] window, select the external device and click [Settings] .

To connect multiple External Devices, from [Device-Specific Settings] in the [Device/PLC] window, click [Add Device] to add another External Device.

The screenshot shows the 'Individual Device Settings' dialog box for 'PLC1'. It features a 'Series' dropdown menu set to 'KP1000 Series' and a 'Station No.' spinner set to '1'. A note below the dropdown reads: 'Please reconfirm all of address settings that you are using if you have changed the series.' At the bottom, there are 'Default', 'OK (O)', and 'Cancel' buttons.

■ Settings of External Device

Use the MODE key, SEL key, ENT key, right key, down key and up key in front of the controller for communication settings of the External Device.

Please refer to the manual of the External Device for more details.

- 1 Press MODE key.
- 2 Press down/up key to move to "MODE8."
- 3 Press SEL key to display items to be set.
- 4 Press down/up key or right key, select setting value, and press ENT key.

Setup Items	Setting Value
COM BIT RATE	9600bps
COM NUMBER	01
COM KIND	COM
COM PROTOCOL	MODBUS(RTU)
COM CHARACTER	8BIT/NON/STOP1

3.8 Setting Example 8

■ Settings of GP-Pro EX

◆ Communication Settings

To display the setup screen, from the [Project] menu, point to [System Settings] and select [Device/PLC].

Device/PLC 1

Summary [Change Device/PLC](#)

Manufacturer Series Port

Text Data Mode [Change](#)

Communication Settings

SIO Type RS232C RS422/485(2wire) RS422/485(4wire)

Speed

Data Length 7 8

Parity NONE EVEN ODD

Stop Bit 1 2

Flow Control NONE ER(DTR/CTS) XON/XOFF

Timeout (sec)

Retry

Wait To Send (ms)

RI / VCC RI VCC

In the case of RS232C, you can select the 9th pin to RI (Input) or VCC (5V Power Supply). If you use the Digital's RS232C Isolation Unit, please select it to VCC.

Device-Specific Settings

Allowable Number of Devices/PLCs [Add Device](#)


No.	Device Name	Settings
<input type="button" value="1"/>	<input type="text" value="PLC1"/>	<input type="text" value="Series=KP1000 Series,Station No.=1"/>

IMPORTANT

- Setting value for Wait To Send differs depending on the connection configuration. Set as shown below.

Connection Configuration	Setting Value
1 : 1	5ms or more
1 : n	10ms or more

◆ Device Setting

To display the [Individual Device Settings] dialog box, from [Device-Specific Settings] in the [Device/PLC] window, select the external device and click [Settings] .

To connect multiple External Devices, from [Device-Specific Settings] in the [Device/PLC] window, click [Add Device] to add another External Device.

Individual Device Settings

PLC1

Series

Please reconfirm all of address settings that you are using if you have changed the series.

Station No.

■ Settings of External Device

Use the MODE key, SEL key, ENT key, right key, down key and up key in front of the controller for communication settings of the External Device.

Please refer to the manual of the External Device for more details.

- 1 Press MODE key.
- 2 Press down/up key to move to "MODE8."
- 3 Press SEL key to display items to be set.
- 4 Press down/up key or right key, select setting value, and press ENT key.

Setup Items	Setting Value
COM BIT RATE	9600bps
COM NUMBER	01
COM KIND	COM
COM PROTOCOL	MODBUS(RTU)
COM CHARACTER	8BIT/NON/STOP1

3.9 Setting Example 9

■ Settings of GP-Pro EX

◆ Communication Settings

To display the setup screen, from the [Project] menu, point to [System Settings] and select [Device/PLC].

Device/PLC 1

Summary [Change Device/PLC](#)

Manufacturer CHINO Corporation Series Temp. Controllers MODBUS SIO Port COM1

Text Data Mode 1 [Change](#)

Communication Settings

SIO Type RS232C RS422/485(2wire) RS422/485(4wire)

Speed 9600

Data Length 7 8

Parity NONE EVEN ODD

Stop Bit 1 2

Flow Control NONE ER(DTR/CTS) XON/XOFF

Timeout 3 (sec)

Retry 2

Wait To Send 10 (ms)

RI / VCC RI VCC

In the case of RS232C, you can select the 9th pin to RI (Input) or VCC (5V Power Supply). If you use the Digital's RS232C Isolation Unit, please select it to VCC.

Default

Device-Specific Settings

Allowable Number of Devices/PLCs 16 [Add Device](#)

No.	Device Name	Settings
1	PLC1	Series=KP1000 Series, Station No.=1


Add Indirect Device

IMPORTANT

- Setting value for Wait To Send differs depending on the connection configuration. Set as shown below.

Connection Configuration	Setting Value
1 : 1	5ms or more
1 : n	10ms or more

◆ Device Setting

To display the [Individual Device Settings] dialog box, from [Device-Specific Settings] in the [Device/PLC] window, select the external device and click [Settings] .

To connect multiple External Devices, from [Device-Specific Settings] in the [Device/PLC] window, click [Add Device] to add another External Device.

Individual Device Settings

PLC1

Series KP1000 Series

Please reconfirm all of address settings that you are using if you have changed the series.

Station No. 1

Default

OK (O) Cancel

■ Settings of External Device

Use the MODE key, SEL key, ENT key, right key, down key and up key in front of the controller for communication settings of the External Device.

Please refer to the manual of the External Device for more details.

- 1 Press MODE key.
- 2 Press down/up key to move to "MODE8."
- 3 Press SEL key to display items to be set.
- 4 Press down/up key or right key, select setting value, and press ENT key.

Setup Items	Setting Value
COM BIT RATE	9600bps
COM NUMBER	01
COM KIND	COM
COM PROTOCOL	MODBUS(RTU)
COM CHARACTER	8BIT/NON/STOP1

3.10 Setting Example 10

■ Settings of GP-Pro EX

◆ Communication Settings

To display the setup screen, from the [Project] menu, point to [System Settings] and select [Device/PLC].

Device/PLC 1

Summary [Change Device/PLC](#)

Manufacturer CHINO Corporation Series Temp. Controllers MODBUS SIO Port COM1

Text Data Mode 1 [Change](#)

Communication Settings

SIO Type RS232C RS422/485(2wire) RS422/485(4wire)

Speed 9600

Data Length 7 8

Parity NONE EVEN ODD

Stop Bit 1 2

Flow Control NONE ER(DTR/CTS) XON/XOFF

Timeout 3 (sec)

Retry 2

Wait To Send 10 (ms)

RI / VCC RI VCC
In the case of RS232C, you can select the 9th pin to RI (Input) or VCC (5V Power Supply). If you use the Digital's RS232C Isolation Unit, please select it to VCC.

Default


Device-Specific Settings

Allowable Number of Devices/PLCs 16 [Add Device](#)

No.	Device Name	Settings	Add Indirect Device
1	PLC1	Series=KP2000 Series, Station No.=1	+

IMPORTANT • Set Wait To Send to 5ms or more.

◆ Device Setting

To display the [Individual Device Settings] dialog box, from [Device-Specific Settings] in the [Device/PLC] window, select the external device and click [Settings] .

To connect multiple External Devices, from [Device-Specific Settings] in the [Device/PLC] window, click [Add Device] to add another External Device.

Individual Device Settings

PLC1

Series KP2000 Series

Please reconfirm all of address settings that you are using if you have changed the series.

Station No. 1

Default

OK (O) Cancel

■ Settings of External Device

Use the MODE key, SEL key, ENT key, right key, down key and up key in front of the controller for communication settings of the External Device.

Please refer to the manual of the External Device for more details.

- 1 Press MODE key.
- 2 Press down/up key to move to "MODE8."
- 3 Press SEL key to display items to be set.
- 4 Press down/up key or right key, select setting value, and press ENT key.

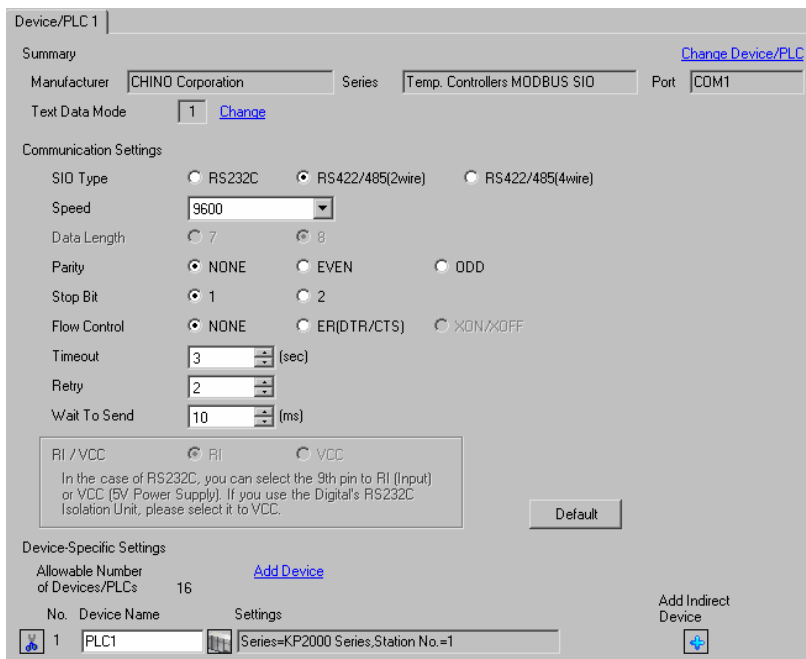
Setup Items	Setting Value
COM BIT RATE	9600bps
COM NUMBER	01
COM KIND	COM
COM PROTOCOL	MODBUS(RTU)
COM CHARACTER	8BIT/NON/STOP1

3.11 Setting Example 11

■ Settings of GP-Pro EX

◆ Communication Settings


To display the setup screen, from the [Project] menu, point to [System Settings] and select [Device/PLC].



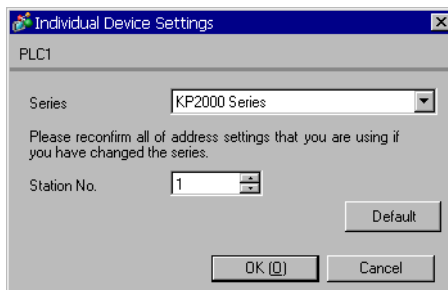
IMPORTANT • Setting value for Wait To Send differs depending on the connection configuration. Set as shown below.

Connection Configuration	Setting Value
1 : 1	5ms or more
1 : n	10ms or more

◆ Device Setting

To display the [Individual Device Settings] dialog box, from [Device-Specific Settings] in the [Device/PLC] window, select the external device and click [Settings] .

To connect multiple External Devices, from [Device-Specific Settings] in the [Device/PLC] window, click [Add Device] to add another External Device.



■ Settings of External Device

Use the MODE key, SEL key, ENT key, right key, down key and up key in front of the controller for communication settings of the External Device.

Please refer to the manual of the External Device for more details.

- 1 Press MODE key.
- 2 Press down/up key to move to "MODE8."
- 3 Press SEL key to display items to be set.
- 4 Press down/up key or right key, select setting value, and press ENT key.

Setup Items	Setting Value
COM BIT RATE	9600bps
COM NUMBER	01
COM KIND	COM
COM PROTOCOL	MODBUS(RTU)
COM CHARACTER	8BIT/NON/STOP1

3.12 Setting Example 12

■ Settings of GP-Pro EX

◆ Communication Settings

To display the setup screen, from the [Project] menu, point to [System Settings] and select [Device/PLC].

Device/PLC 1

Summary [Change Device/PLC](#)

Manufacturer CHINO Corporation Series Temp. Controllers MODBUS SIO Port COM1

Text Data Mode 1 [Change](#)

Communication Settings

SIO Type RS232C RS422/485(2wire) RS422/485(4wire)

Speed 9600

Data Length 7 8

Parity NONE EVEN ODD

Stop Bit 1 2

Flow Control NONE ER(DTR/CTS) XON/XOFF

Timeout 3 (sec)

Retry 2

Wait To Send 10 (ms)

RI / VCC RI VCC

In the case of RS232C, you can select the 9th pin to RI (Input) or VCC (5V Power Supply). If you use the Digital's RS232C Isolation Unit, please select it to VCC.

Default

Device-Specific Settings

Allowable Number of Devices/PLCs 16 [Add Device](#)

No.	Device Name	Settings
1	PLC1	Series=KP2000 Series, Station No.=1


Add Indirect Device

IMPORTANT

- Setting value for Wait To Send differs depending on the connection configuration. Set as shown below.

Connection Configuration	Setting Value
1 : 1	5ms or more
1 : n	10ms or more

◆ Device Setting

To display the [Individual Device Settings] dialog box, from [Device-Specific Settings] in the [Device/PLC] window, select the external device and click [Settings] .

To connect multiple External Devices, from [Device-Specific Settings] in the [Device/PLC] window, click [Add Device] to add another External Device.

Individual Device Settings

PLC1

Series KP2000 Series

Please reconfirm all of address settings that you are using if you have changed the series.

Station No. 1

Default

OK (O) Cancel

■ Settings of External Device

Use the MODE key, SEL key, ENT key, right key, down key and up key in front of the controller for communication settings of the External Device.

Please refer to the manual of the External Device for more details.

- 1 Press MODE key.
- 2 Press down/up key to move to "MODE8."
- 3 Press SEL key to display items to be set.
- 4 Press down/up key or right key, select setting value, and press ENT key.

Setup Items	Setting Value
COM BIT RATE	9600bps
COM NUMBER	01
COM KIND	COM
COM PROTOCOL	MODBUS(RTU)
COM CHARACTER	8BIT/NON/STOP1

3.13 Setting Example 13

■ Settings of GP-Pro EX

◆ Communication Settings

To display the setup screen, from the [Project] menu, point to [System Settings] and select [Device/PLC].

IMPORTANT • Set Wait To Send to 5ms or more.

◆ Device Setting

To display the [Individual Device Settings] dialog box, from [Device-Specific Settings] in the [Device/PLC] window, select the external device and click [Settings] .

To connect multiple External Devices, from [Device-Specific Settings] in the [Device/PLC] window, click [Add Device] to add another External Device.

■ Settings of External Device

Use the MODE key, SEL key, ENT key, right key, down key and up key in front of the controller for communication settings of the External Device.

Please refer to the manual of the External Device for more details.

- 1 Press MODE key.
- 2 Press down/up key to move to "MODE8."
- 3 Press SEL key to display items to be set.
- 4 Press down/up key or right key, select setting value, and press ENT key.

Setup Items	Setting Value
COM BIT RATE	9600bps
COM NUMBER	01
COM KIND	COM
COM PROTOCOL	MODBUS(RTU)
COM CHARACTER	8BIT/NON/STOP1

3.14 Setting Example 14

■ Settings of GP-Pro EX

◆ Communication Settings


To display the setup screen, from the [Project] menu, point to [System Settings] and select [Device/PLC].

IMPORTANT

- Setting value for Wait To Send differs depending on the connection configuration. Set as shown below.

Connection Configuration	Setting Value
1 : 1	5ms or more
1 : n	10ms or more

◆ Device Setting

To display the [Individual Device Settings] dialog box, from [Device-Specific Settings] in the [Device/PLC] window, select the external device and click [Settings] .

To connect multiple External Devices, from [Device-Specific Settings] in the [Device/PLC] window, click [Add Device] to add another External Device.

■ Settings of External Device

Use the MODE key, SEL key, ENT key, right key, down key and up key in front of the controller for communication settings of the External Device.

Please refer to the manual of the External Device for more details.

- 1 Press MODE key.
- 2 Press down/up key to move to "MODE8."
- 3 Press SEL key to display items to be set.
- 4 Press down/up key or right key, select setting value, and press ENT key.

Setup Items	Setting Value
COM BIT RATE	9600bps
COM NUMBER	01
COM KIND	COM
COM PROTOCOL	MODBUS(RTU)
COM CHARACTER	8BIT/NON/STOP1

3.15 Setting Example 15

■ Settings of GP-Pro EX

◆ Communication Settings

To display the setup screen, from the [Project] menu, point to [System Settings] and select [Device/PLC].

Device/PLC 1

Summary [Change Device/PLC](#)

Manufacturer CHINO Corporation Series Temp. Controllers MODBUS SIO Port COM1

Text Data Mode 1 [Change](#)

Communication Settings

SIO Type RS232C RS422/485(2wire) RS422/485(4wire)

Speed 9600

Data Length 7 8

Parity NONE EVEN ODD

Stop Bit 1 2

Flow Control NONE ER(DTR/CTS) XON/XOFF

Timeout 3 (sec)

Retry 2

Wait To Send 10 (ms)

RI / VCC RI VCC

In the case of RS232C, you can select the 9th pin to RI (Input) or VCC (5V Power Supply). If you use the Digital's RS232C Isolation Unit, please select it to VCC.

Default

Device-Specific Settings

Allowable Number of Devices/PLCs 16 [Add Device](#)

No.	Device Name	Settings
1	PLC1	Series=KP3000 Series, Station No.=1


Add Indirect Device

IMPORTANT

- Setting value for Wait To Send differs depending on the connection configuration. Set as shown below.

Connection Configuration	Setting Value
1 : 1	5ms or more
1 : n	10ms or more

◆ Device Setting

To display the [Individual Device Settings] dialog box, from [Device-Specific Settings] in the [Device/PLC] window, select the external device and click [Settings] .

To connect multiple External Devices, from [Device-Specific Settings] in the [Device/PLC] window, click [Add Device] to add another External Device.

Individual Device Settings

PLC1

Series KP3000 Series

Please reconfirm all of address settings that you are using if you have changed the series.

Station No. 1

Default

OK (O) Cancel

■ Settings of External Device

Use the MODE key, SEL key, ENT key, right key, down key and up key in front of the controller for communication settings of the External Device.

Please refer to the manual of the External Device for more details.

- 1 Press MODE key.
- 2 Press down/up key to move to "MODE8."
- 3 Press SEL key to display items to be set.
- 4 Press down/up key or right key, select setting value, and press ENT key.

Setup Items	Setting Value
COM BIT RATE	9600bps
COM NUMBER	01
COM KIND	COM
COM PROTOCOL	MODBUS(RTU)
COM CHARACTER	8BIT/NON/STOP1

3.16 Setting Example 16

■ Settings of GP-Pro EX

◆ Communication Settings


To display the setup screen, from the [Project] menu, point to [System Settings] and select [Device/PLC].

IMPORTANT

- Setting value for Wait To Send differs depending on the connection configuration. Set as shown below.

Connection Configuration	Setting Value
1 : 1	20ms or more
1 : n	65ms or more

◆ Device Setting

To display the [Individual Device Settings] dialog box, from [Device-Specific Settings] in the [Device/PLC] window, select the external device and click [Settings] .

To connect multiple External Devices, from [Device-Specific Settings] in the [Device/PLC] window, click [Add Device] to add another External Device.

■ Settings of External Device

Use the SEL/ENT key, DOWN key and UP key in front of the controller for communication settings of the External Device.

Please refer to the manual of the External Device for more details.

- 1 Press SEL/ENT key for 2 seconds.
- 2 Press UP key to move to "MODE7."
- 3 Press SEL/ENT key to display items to be set.
- 4 Press DOWN/UP key, select setting value, and press SEL/ENT key.

Setup Items	Setting Value
PtCL	rtU
FUnC	Com
AdrS	1
rAtE	9600
CHAr	5

3.17 Setting Example 17


■ Settings of GP-Pro EX

◆ Communication Settings

To display the setup screen, from the [Project] menu, point to [System Settings] and select [Device/PLC].

IMPORTANT • Set Wait To Send to 20ms or more.

◆ Device Setting

To display the [Individual Device Settings] dialog box, from [Device-Specific Settings] in the [Device/PLC] window, select the external device and click [Settings] .

To connect multiple External Devices, from [Device-Specific Settings] in the [Device/PLC] window, click [Add Device] to add another External Device.

■ Settings of External Device

Use the MODE key, SEL/ENT key, DOWN key and UP key in front of the controller for communication settings of the External Device.

Please refer to the manual of the External Device for more details.

- 1 Press MODE key.
- 2 Press UP key to move to "MODE7."
- 3 Press SEL/ENT key to display items to be set.
- 4 Press DOWN/UP key, select setting value, and press SEL/ENT key.

Setup Items	Setting Value
PtCL	rtU
FUnC	Com
AdrS	1
rAtE	9600
CHAr	5

3.18 Setting Example 18

■ Settings of GP-Pro EX

◆ Communication Settings


To display the setup screen, from the [Project] menu, point to [System Settings] and select [Device/PLC].

IMPORTANT

- Setting value for Wait To Send differs depending on the connection configuration. Set as shown below.

Connection Configuration	Setting Value
1 : 1	20ms or more
1 : n	65ms or more

◆ Device Setting

To display the [Individual Device Settings] dialog box, from [Device-Specific Settings] in the [Device/PLC] window, select the external device and click [Settings] .

To connect multiple External Devices, from [Device-Specific Settings] in the [Device/PLC] window, click [Add Device] to add another External Device.

■ Settings of External Device

Use the MODE key, SEL/ENT key, DOWN key and UP key in front of the controller for communication settings of the External Device.

Please refer to the manual of the External Device for more details.

- 1 Press MODE key.
- 2 Press UP key to move to "MODE7."
- 3 Press SEL/ENT key to display items to be set.
- 4 Press DOWN/UP key, select setting value, and press SEL/ENT key.

Setup Items	Setting Value
PtCL	rtU
FUnC	Com
AdrS	1
rAtE	9600
CHAr	5

3.19 Setting Example 19

■ Settings of GP-Pro EX

◆ Communication Settings

To display the setup screen, from the [Project] menu, point to [System Settings] and select [Device/PLC].

Device/PLC 1

Summary [Change Device/PLC](#)

Manufacturer CHINO Corporation Series Temp. Controllers MODBUS SIO Port COM1

Text Data Mode 1 [Change](#)

Communication Settings

SIO Type RS232C RS422/485(2wire) RS422/485(4wire)

Speed 9600

Data Length 7 8

Parity NONE EVEN ODD

Stop Bit 1 2

Flow Control NONE ER(DTR/CTS) XON/XOFF

Timeout 3 (sec)

Retry 2

Wait To Send 20 (ms)

RI / VCC RI VCC

In the case of RS232C, you can select the 9th pin to RI (Input) or VCC (5V Power Supply). If you use the Digital's RS232C Isolation Unit, please select it to VCC.

Default

Device-Specific Settings

Allowable Number of Devices/PLCs 16 [Add Device](#)


No.	Device Name	Settings	Add Indirect Device
1	PLC1	Series=LT300 Series, Station No.=1	+

IMPORTANT

- Setting value for Wait To Send differs depending on the connection configuration. Set as shown below.

Connection Configuration	Setting Value
1 : 1	20ms or more
1 : n	65ms or more

◆ Device Setting

To display the [Individual Device Settings] dialog box, from [Device-Specific Settings] in the [Device/PLC] window, select the external device and click [Settings] .

To connect multiple External Devices, from [Device-Specific Settings] in the [Device/PLC] window, click [Add Device] to add another External Device.

Individual Device Settings

PLC1

Series LT300 Series

Please reconfirm all of address settings that you are using if you have changed the series.

Station No. 1

Default

OK (O) Cancel

■ Settings of External Device

Use the MODE key, SEL/ENT key, DOWN key and UP key in front of the controller for communication settings of the External Device.

Please refer to the manual of the External Device for more details.

- 1 Press MODE key.
- 2 Press UP key to move to "MODE7."
- 3 Press SEL/ENT key to display items to be set.
- 4 Press DOWN/UP key, select setting value, and press SEL/ENT key.

Setup Items	Setting Value
PtCL	rtU
FUnC	Com
AdrS	1
rAtE	9600
CHAr	5

3.20 Setting Example 20


■ Settings of GP-Pro EX

◆ Communication Settings

To display the setup screen, from the [Project] menu, point to [System Settings] and select [Device/PLC].

IMPORTANT • Set Wait To Send to 5ms or more.

◆ Device Setting

To display the [Individual Device Settings] dialog box, from [Device-Specific Settings] in the [Device/PLC] window, select the external device and click [Settings] .

To connect multiple External Devices, from [Device-Specific Settings] in the [Device/PLC] window, click [Add Device] to add another External Device.

■ Settings of External Device

Use the MODE key, SEL/ENT key, DOWN key and UP key in front of the controller for communication settings of the External Device.

Please refer to the manual of the External Device for more details.

- 1 Press MODE key.
- 2 Press UP key to move to "MODE7."
- 3 Press SEL/ENT key to display items to be set.
- 4 Press DOWN/UP key, select setting value, and press SEL/ENT key.

Setup Items	Setting Value
PrtCL	rtU
FUnC	Com
AdrS	1
rAtE	9600
CHArA	8n1

3.21 Setting Example 21

■ Settings of GP-Pro EX

◆ Communication Settings


To display the setup screen, from the [Project] menu, point to [System Settings] and select [Device/PLC].

IMPORTANT

- Setting value for Wait To Send differs depending on the connection configuration. Set as shown below.

Connection Configuration	Setting Value
1 : 1	5ms or more
1 : n	10ms or more

◆ Device Setting

To display the [Individual Device Settings] dialog box, from [Device-Specific Settings] in the [Device/PLC] window, select the external device and click [Settings] .

To connect multiple External Devices, from [Device-Specific Settings] in the [Device/PLC] window, click [Add Device] to add another External Device.

■ Settings of External Device

Use the MODE key, SEL/ENT key, DOWN key and UP key in front of the controller for communication settings of the External Device.

Please refer to the manual of the External Device for more details.

- 1 Press MODE key.
- 2 Press UP key to move to "MODE7."
- 3 Press SEL/ENT key to display items to be set.
- 4 Press DOWN/UP key, select setting value, and press SEL/ENT key.

Setup Items	Setting Value
PrtCL	rtU
FUnC	Com
AdrS	1
rAtE	9600
CHArA	8n1

3.22 Setting Example 22

■ Settings of GP-Pro EX

◆ Communication Settings


To display the setup screen, from the [Project] menu, point to [System Settings] and select [Device/PLC].

IMPORTANT

- Setting value for Wait To Send differs depending on the connection configuration. Set as shown below.

Connection Configuration	Setting Value
1 : 1	5ms or more
1 : n	10ms or more

◆ Device Setting

To display the [Individual Device Settings] dialog box, from [Device-Specific Settings] in the [Device/PLC] window, select the external device and click [Settings] .

To connect multiple External Devices, from [Device-Specific Settings] in the [Device/PLC] window, click [Add Device] to add another External Device.

■ Settings of External Device

Use the MODE key, SEL/ENT key, DOWN key and UP key in front of the controller for communication settings of the External Device.

Please refer to the manual of the External Device for more details.

- 1 Press MODE key.
- 2 Press UP key to move to "MODE7."
- 3 Press SEL/ENT key to display items to be set.
- 4 Press DOWN/UP key, select setting value, and press SEL/ENT key.

Setup Items	Setting Value
PrtCL	rtU
FUnC	Com
AdrS	1
rAtE	9600
CHArA	8n1

3.23 Setting Example 23

■ Settings of GP-Pro EX

◆ Communication Settings


To display the setup screen, from the [Project] menu, point to [System Settings] and select [Device/PLC].

IMPORTANT

- Setting value for Wait To Send differs depending on the connection configuration. Set as shown below.

Connection Configuration	Setting Value
1 : 1	20ms or more
1 : n	65ms or more

◆ Device Setting

To display the [Individual Device Settings] dialog box, from [Device-Specific Settings] in the [Device/PLC] window, select the external device and click [Settings] .

To connect multiple External Devices, from [Device-Specific Settings] in the [Device/PLC] window, click [Add Device] to add another External Device.

■ Settings of External Device

Use the SEL/ENT key, DOWN key and UP key in front of the controller for communication settings of the External Device.

Please refer to the manual of the External Device for more details.

- 1 Press SEL/ENT key for 2 seconds.
- 2 Press UP key to move to "MODE6."
- 3 Press SEL/ENT key to display items to be set.
- 4 Press DOWN/UP key, select setting value, and press SEL/ENT key.

Setup Items	Setting Value
PtCL	rtU
FUnC	Com
AdrS	1
rAtE	9600
CHAr	8n1

3.24 Setting Example 24

■ Settings of GP-Pro EX

◆ Communication Settings


To display the setup screen, from the [Project] menu, point to [System Settings] and select [Device/PLC].

IMPORTANT

- Setting value for Wait To Send differs depending on the connection configuration. Set as shown below.

Connection Configuration	Setting Value
1 : 1	5ms or more
1 : n	10ms or more

◆ Device Setting

To display the [Individual Device Settings] dialog box, from [Device-Specific Settings] in the [Device/PLC] window, select the external device and click [Settings] .

To connect multiple External Devices, from [Device-Specific Settings] in the [Device/PLC] window, click [Add Device] to add another External Device.

■ Settings of External Device

Use the rotary switch and DIP switches of the External Device for communication settings of the External Device. Please refer to the manual of the External Device for more details.

- Rotary switch (SW1)

Rotary switch	Setting Value
SW1	1

- DIP switch (SW2)

DIP switches	Setting Value
SW1	OFF
SW2	OFF
SW3	OFF
SW4	OFF
SW5	OFF
SW6	OFF
SW7	OFF
SW8	OFF

3.25 Setting Example 25

■ Settings of GP-Pro EX

◆ Communication Settings


To display the setup screen, from the [Project] menu, point to [System Settings] and select [Device/PLC].

IMPORTANT

- Setting value for Wait To Send differs depending on the connection configuration. Set as shown below.

Connection Configuration	Setting Value
1 : 1	5ms or more
1 : n	10ms or more

◆ Device Setting

To display the [Individual Device Settings] dialog box, from [Device-Specific Settings] in the [Device/PLC] window, select the external device and click [Settings] .

To connect multiple External Devices, from [Device-Specific Settings] in the [Device/PLC] window, click [Add Device] to add another External Device.

■ Settings of External Device

Use the MODE key, ENT key, down key and up key in front of the controller for communication settings of the External Device.

Please refer to the manual of the External Device for more details.

- 1 Press MODE key.
- 2 Press up key to move to "MODE3."
- 3 Press ENT key to display items to be set.
- 4 Press down/up key, select setting value, and press ENT key.

Setup Items	Setting Value
PtCL	rtU
AdrS	1
rAtE	9600
CHAr	8n1

3.26 Setting Example 26

■ Settings of GP-Pro EX

◆ Communication Settings


To display the setup screen, from the [Project] menu, point to [System Settings] and select [Device/PLC].

IMPORTANT

- Setting value for Wait To Send differs depending on the connection configuration. Set as shown below.

Connection Configuration	Setting Value
1 : 1	5ms or more
1 : n	10ms or more

◆ Device Setting

To display the [Individual Device Settings] dialog box, from [Device-Specific Settings] in the [Device/PLC] window, select the external device and click [Settings] .

To connect multiple External Devices, from [Device-Specific Settings] in the [Device/PLC] window, click [Add Device] to add another External Device.

■ Settings of External Device

Use the MODE key, ENT key, down key and up key in front of the controller for communication settings of the External Device.

Please refer to the manual of the External Device for more details.

- 1 Press MODE key.
- 2 Press up key to move to "MODE3."
- 3 Press ENT key to display items to be set.
- 4 Press down/up key, select setting value, and press ENT key.

Setup Items	Setting Value
PtCL	rtU
AdrS	1
rAtE	9600
CHAr	8n1

3.27 Setting Example 27

■ Settings of GP-Pro EX

◆ Communication Settings


To display the setup screen, from the [Project] menu, point to [System Settings] and select [Device/PLC].

IMPORTANT

- Setting value for Wait To Send differs depending on the connection configuration. Set as shown below.

Connection Configuration	Setting Value
1 : 1	5ms or more
1 : n	10ms or more

◆ Device Setting

To display the [Individual Device Settings] dialog box, from [Device-Specific Settings] in the [Device/PLC] window, select the external device and click [Settings] .

To connect multiple External Devices, from [Device-Specific Settings] in the [Device/PLC] window, click [Add Device] to add another External Device.

■ Settings of External Device

Use the MODE key, ENT key, down key and up key in front of the controller for communication settings of the External Device.

Please refer to the manual of the External Device for more details.

- 1 Press MODE key.
- 2 Press up key to move to "MODE3."
- 3 Press ENT key to display items to be set.
- 4 Press down/up key, select setting value, and press ENT key.

Setup Items	Setting Value
PtCL	rtU
AdrS	1
rAtE	9600
CHAr	8n1

3.28 Setting Example 28

■ Settings of GP-Pro EX

◆ Communication Settings


To display the setup screen, from the [Project] menu, point to [System Settings] and select [Device/PLC].

IMPORTANT

- Setting value for Wait To Send differs depending on the connection configuration. Set as shown below.

Connection Configuration	Setting Value
1 : 1	5ms or more
1 : n	10ms or more

◆ Device Setting

To display the [Individual Device Settings] dialog box, from [Device-Specific Settings] in the [Device/PLC] window, select the external device and click [Settings] .

To connect multiple External Devices, from [Device-Specific Settings] in the [Device/PLC] window, click [Add Device] to add another External Device.

■ Settings of External Device

Use the MODE key, ENT key, down key and up key in front of the controller for communication settings of the External Device.

Please refer to the manual of the External Device for more details.


- 1 Press MODE key.
- 2 Press up key to move to "MODE3."
- 3 Press ENT key to display items to be set.
- 4 Press down/up key, select setting value, and press ENT key.

Setup Items	Setting Value
PtCL	rtU
AdrS	1
rAtE	9600
CHAr	8n1

4 Setup Items

Set communication settings of the Display with GP-Pro EX or in off-line mode of the Display.

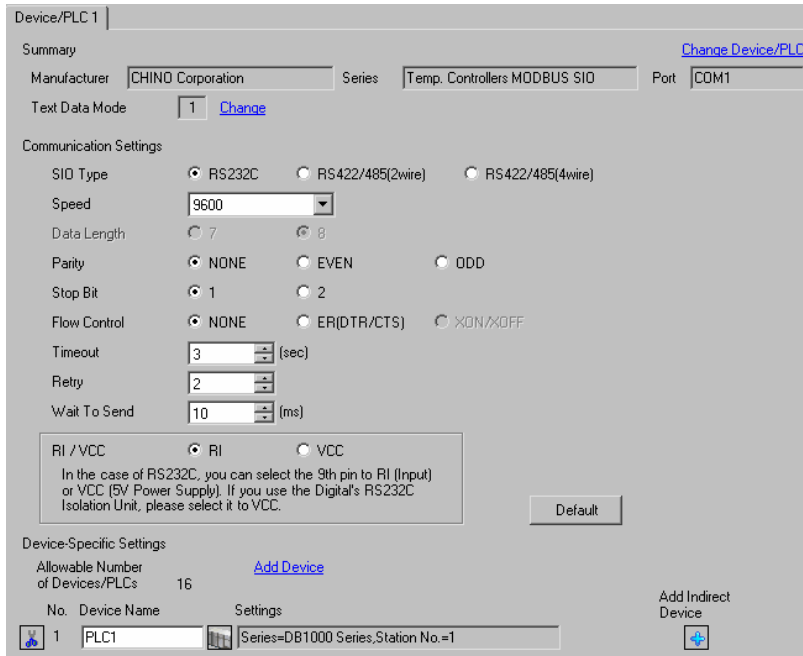
The setting of each parameter must be identical to that of External Device.

 "3 Example of Communication Setting" (page 10)

4.1 Setup Items in GP-Pro EX

■ Communication Settings

To display the setup screen, from the [Project] menu, point to [System Settings] and select [Device/PLC].



Device/PLC 1

Summary [Change Device/PLC](#)

Manufacturer CHINO Corporation Series Temp. Controllers MODBUS SIO Port COM1

Text Data Mode 1 [Change](#)

Communication Settings

SIO Type RS232C RS422/485(2wire) RS422/485(4wire)

Speed 9600

Data Length 7 8

Parity NONE EVEN ODD

Stop Bit 1 2

Flow Control NONE ER(DTR/CTS) XON/XOFF

Timeout 3 (sec)

Retry 2

Wait To Send 10 (ms)

RI / VCC RI VCC

In the case of RS232C, you can select the 9th pin to RI (Input) or VCC (5V Power Supply). If you use the Digital's RS232C Isolation Unit, please select it to VCC.

Default

Device-Specific Settings

Allowable Number of Devices/PLCs 16 [Add Device](#)

No. Device Name Settings

1 PLC1 Series=DB1000 Series,Station No.=1 [Add Indirect Device](#)

Setup Items	Setup Description
SIO Type	Select the SIO type to communicate with the External Device.
Speed	Select speed between the External Device and the Display.
Data Length	Display data length.
Parity	Select how to check parity.
Stop Bit	Select stop bit length.
Flow Control	Select the communication control method to prevent overflow of transmission and reception data.
Timeout	Use an integer from 1 to 127 to enter the time (s) for which the Display waits for the response from the External Device.
Retry	In case of no response from the External Device, use an integer from 0 to 255 to enter how many times the Display retransmits the command.
Wait To Send	Use an integer from 0 to 255 to enter standby time (ms) for the Display from receiving packets to transmitting next commands.

Continues to the next page.


Setup Items	Setup Description
RI/VCC	You can switch RI/VCC of the 9th pin when you select RS232C for SIO type. It is necessary to change RI/5V by changeover switch of IPC when connect with IPC. Please refer to the manual of the IPC for more detail.

NOTE

- Refer to the GP-Pro EX Reference Manual for Indirect Device.

Cf. GP-Pro EX Reference Manual "Changing the Device/PLC at Runtime (Indirect Device)"

■ Device Setting

To display the [Individual Device Settings] dialog box, from [Device-Specific Settings] in the [Device/PLC] window, select the external device and click [Settings] .

To connect multiple External Devices, from [Device-Specific Settings] in the [Device/PLC] window, click [Add Device] to add another External Device.



Setup Items	Setup Description
Series	Select the External Device series.
Station No.	Use an integer 1 to 99 to enter the station number of the External Device to communicate.

4.2 Communication Settings in Off-line Mode

NOTE

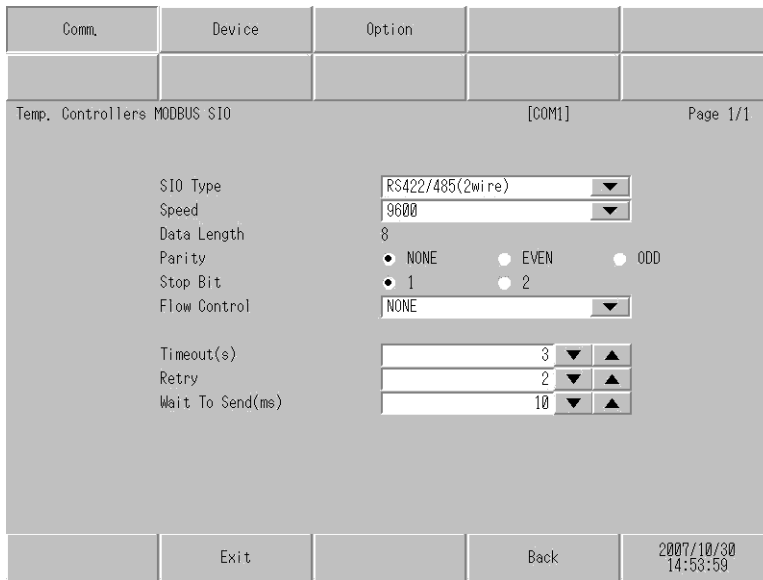
- Refer to the Maintenance/Troubleshooting manual for information on how to enter off-line mode or about the operation.

Cf. Maintenance/Troubleshooting Manual "Off-line Mode"

- The number of the setup items to be displayed for 1 page in the off-line mode depends on the Display in use. Please refer to the Reference manual for details.

■ Communication Settings

To display the setting screen, touch [Device/PLC Settings] from [Peripheral Settings] in off-line mode. Touch the External Device you want to set from the displayed list.



Setup Items	Setup Description
SIO Type	Select the SIO type to communicate with the External Device. IMPORTANT To make the communication settings correctly, confirm the serial interface specifications of Display unit for [SIO Type]. We cannot guarantee the operation if a communication type that the serial interface does not support is specified. For details concerning the serial interface specifications, refer to the manual for Display unit.
Speed	Select speed between the External Device and the Display.
Data Length	Display data length.
Parity	Select how to check parity.
Stop Bit	Select stop bit length.
Flow Control	Select the communication control method to prevent overflow of transmission and reception data.

Continues to the next page.

Setup Items	Setup Description
Timeout (s)	Use an integer from 1 to 127 to enter the time (s) for which the Display waits for the response from the External Device.
Retry	In case of no response from the External Device, use an integer from 0 to 255 to enter how many times the Display retransmits the command.
Wait To Send (ms)	Use an integer from 0 to 255 to enter standby time (ms) for the Display from receiving packets to transmitting next commands.

■ Device Settings

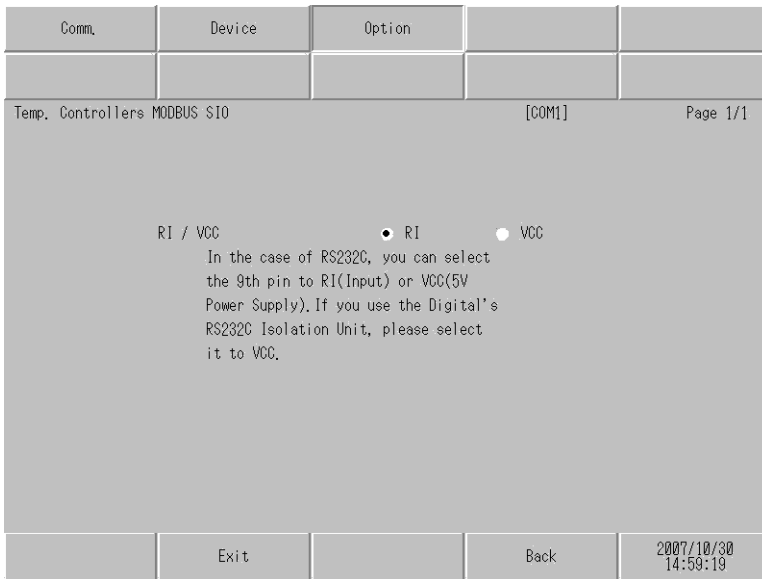
To display the setting screen, touch [Device/PLC Settings] from [Peripheral Equipment Settings]. Touch the External Device you want to set from the displayed list, and touch [Device Settings].



Setup Items	Setup Description
Device/PLC Name	Select the External Device for device setting. Device name is a title of External Device set with GP-Pro EX.(Initial value [PLC1])
Series	Display the External Device series.
Station No.	Use an integer 1 to 99 to enter the station number of the External Device to communicate.

■ Option

To display the setting screen, touch [Device/PLC Settings] from [Peripheral Settings]. Touch the External Device you want to set from the displayed list, and touch [Option].



Setup Items	Setup Description
RI/VCC	You can switch RI/VCC of the 9th pin when you select RS232C for SIO type. It is necessary to change RI/5V by changeover switch of IPC when connect with IPC. Please refer to the manual of the IPC for more detail.

NOTE

- GP-4100 series, GP-4*01TM, GP-Rear Module, LT-4*01TM and LT-Rear Module do not have the [Option] setting in the off-line mode.

5 Cable Diagram

The cable diagram shown below may be different from the cable diagram recommended by CHINO Corporation. Please be assured there is no operational problem in applying the cable diagram shown in this manual.

- The FG pin of the External Device body must be D-class grounded. Please refer to the manual of the External Device for more details.
- SG and FG are connected inside the Display. When connecting SG to the External Device, design the system not to form short-circuit loop.
- Connect the isolation unit, when communication is not stabilized under the influence of a noise etc.

Cable Diagram 1

Display (Connection Port)	Cable		Notes
GP3000 (COM1) GP4000* ¹ (COM1) SP5000* ² (COM1/2) SP-5B00 (COM1) ST (COM1) LT3000 (COM1) IPC* ³ PC/AT	1A	RS-232C communication cable by CHINO Corporation RZ-CRS6□□* ⁴	Cable length: 15m or less
	1B	User-created cable	
GP-4105 (COM1) GP-4115T (COM1) GP-4115T3 (COM1)	1C	User-created cable	Cable length: 15m or less
LT-4*01TM (COM1) LT-Rear Module (COM1)	1D	RJ45 RS-232C Cable (5m) by Pro-face PFXZLMCBJR21	Cable length: 5m or less

*1 All GP4000 models except GP-4100 Series and GP-4203T

*2 Except SP-5B00

*3 Only the COM port which can communicate by RS-232C can be used.
☞ "■ IPC COM Port" (page 6)

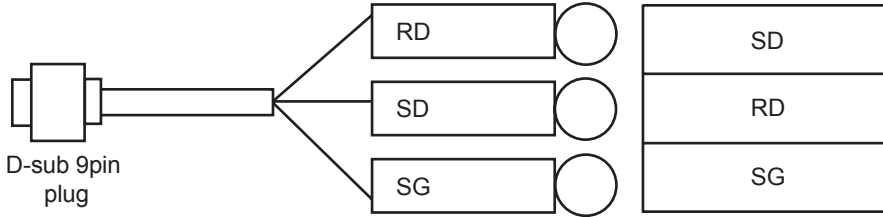
*4 □□ shows cable length.

IMPORTANT

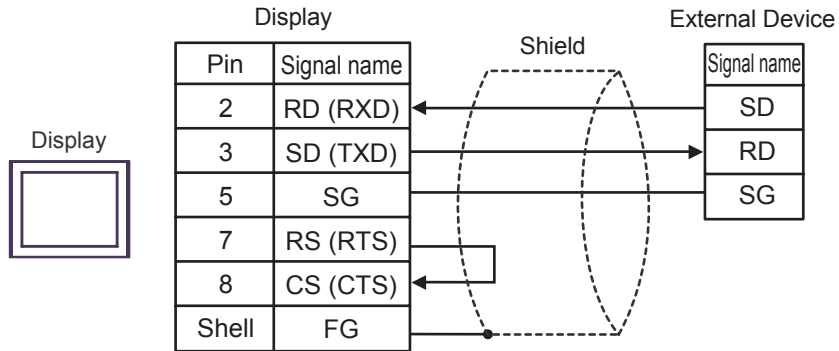
- Terminal number to be used for communication varies depending on the External Device. Terminal numbers corresponding to each series are shown below.

Series	SD	RD	SG
DB1000	13	12	14
DB2000 (COM1)	27	26	28
DB2000 (COM2)	30	29	31
KP1000	13	12	14
KP2000 (COM1)	27	26	28
KP2000 (COM2)	30	29	31
KP3000 (COM1)	27	26	28
KP3000 (COM2)	30	29	31
LT300/400	11	13	15

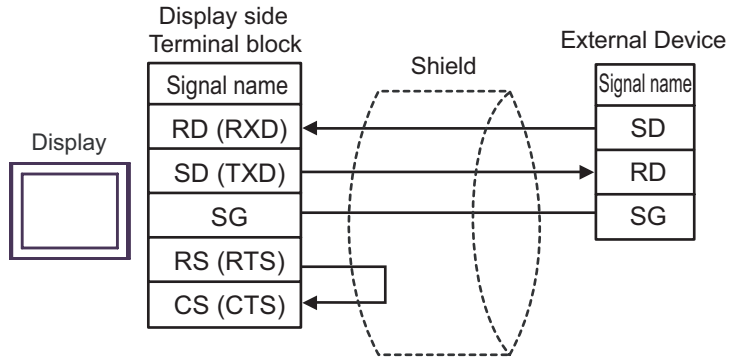
1A)



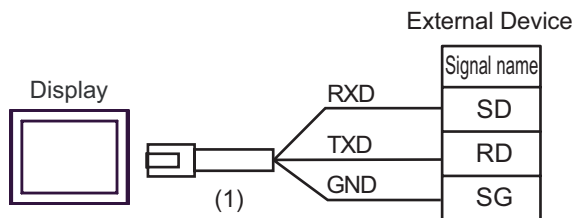
1B)



1C)



1D)





Number	Name	Notes
(1)	RJ45 RS-232C Cable (5m) by Pro-face PFXZLMCBJR21	

Cable Diagram 2

Display (Connection Port)	Cable		Notes
GP3000* ¹ (COM1) AGP-3302B (COM2) GP-4*01TM (COM1) GP-Rear Module (COM1) ST* ² (COM2) LT3000 (COM1) IPC* ³	2A	COM port conversion adapter by Pro-face CA3-ADPCOM-01 + Terminal block conversion adapter by Pro-face CA3-ADPTRM-01 + User-created cable	Cable length: 600m or less
	2B	COM port conversion adapter by Pro-face CA3-ADPCOM-01 + RS-422 cable by Pro-face CA3-CBL422-01 + User-created cable	
	2C	RS-422 cable by Pro-face CA3-CBL422/5M-01 + User-created cable	
	2D	User-created cable	
GP3000* ⁴ (COM2)	2E	Online adapter by Pro-face CA4-ADPONL-01 + Terminal block conversion adapter by Pro-face CA3-ADPTRM-01 + User-created cable	Cable length: 600m or less
	2F	Online adapter by Pro-face CA4-ADPONL-01 + User-created cable	
	2G	Online adapter by Pro-face CA4-ADPONL-01 + RS-422 cable by Pro-face CA3-CBL422-01 + User-created cable	
GP-4106 (COM1) GP-4116T (COM1)	2H	User-created cable	Cable length: 600m or less

Continues to the next page.

Display (Connection Port)	Cable		Notes
GP4000* ⁵ (COM2) GP-4201T (COM1) SP5000* ⁶ (COM1/2) SP-5B00 (COM2)	2I	RS-422 Terminal Block Conversion Adapter by Pro-face PFXZCBADTM1* ⁷ + User-created cable	Cable length: 600m or less
	2B	COM port conversion adapter by Pro-face CA3-ADPCOM-01 + RS-422 cable by Pro-face CA3-CBL422-01 + User-created cable	
	2C	RS-422 cable by Pro-face CA3-CBL422/5M-01 + User-created cable	
	2D	User-created cable	
PE-4000B* ⁸ PS5000* ⁸	2J	User-created cable	Cable length: 600m or less

- *1 All GP3000 models except AGP-3302B
- *2 All ST models except AST-3211A and AST-3302B
- *3 Only the COM port which can communicate by RS-422/485 (4 wire) can be used. (Except PE-4000B, PS5000)
 "■ IPC COM Port" (page 6)
- *4 All GP3000 models except GP-3200 series and AGP-3302B
- *5 All GP4000 models except GP-4100 Series, GP-4*01TM, GP-Rear Module, GP-4201T and GP-4*03T
- *6 Except SP-5B00
- *7 When using a Terminal Block Conversion Adapter (CA3-ADPTRM-01) instead of the RS-422 Terminal Block Conversion Adapter, refer to Cable Diagram 2A.
- *8 Only the COM port which can communicate by RS-422/485 (4 wire) can be used.
 "■ IPC COM Port" (page 6)

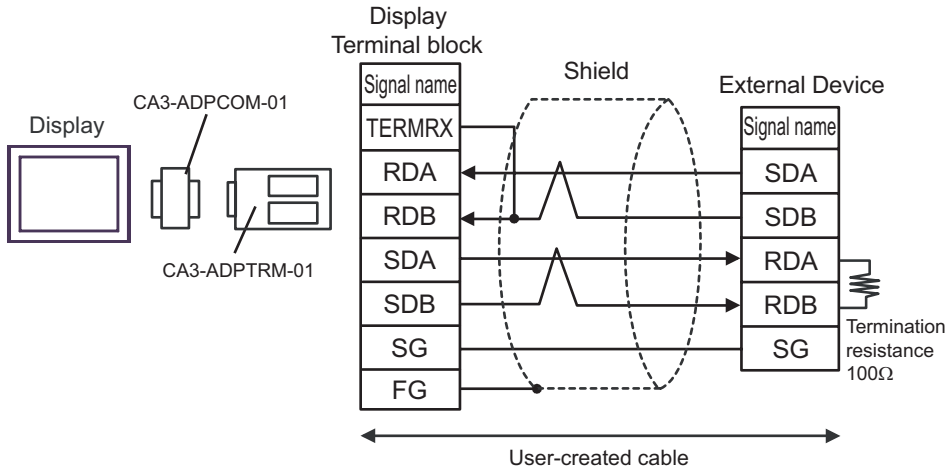
IMPORTANT

- Terminal number to be used for communication varies depending on the External Device. Terminal numbers corresponding to each series are shown below.

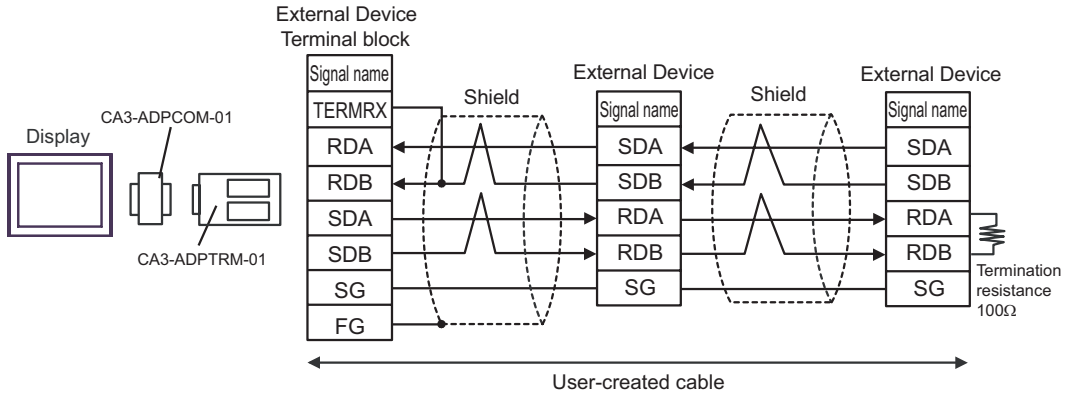
Series	SDA	SDB	RDA	RDB	SG
DB1000	14	15	12	13	16
DB2000 (COM1)	28	29	26	27	30
DB2000 (COM2)	31	32	29	30	28
KP1000	14	15	12	13	16
KP2000 (COM1)	28	29	26	27	30
KP2000 (COM2)	31	32	29	30	28
KP3000 (COM1)	28	29	26	27	30
KP3000 (COM2)	31	32	29	30	28
LT300/400	11	12	13	14	15
JU Single-phase	1	2	3	4	5
JW	1	2	3	4	5

2A)

- 1:1 connection

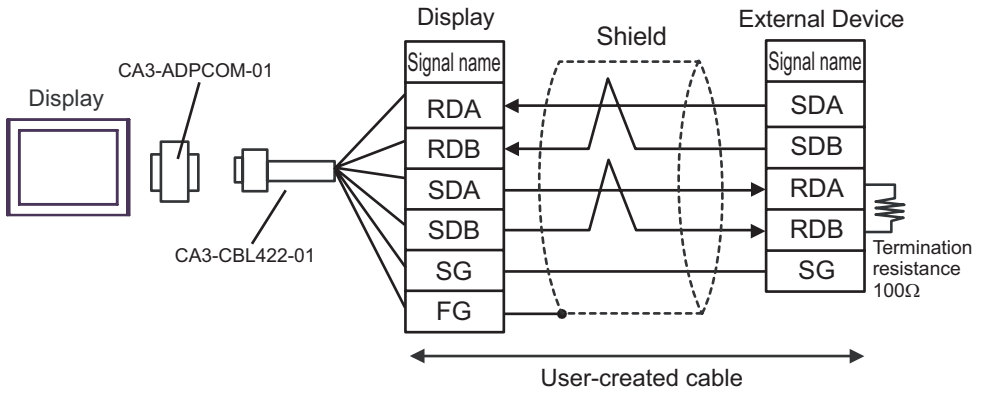


- 1:n connection

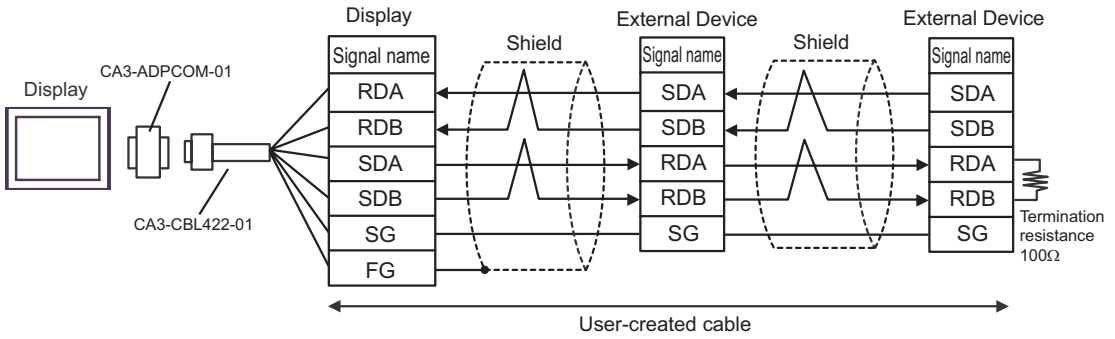


2B)

- 1:1 connection

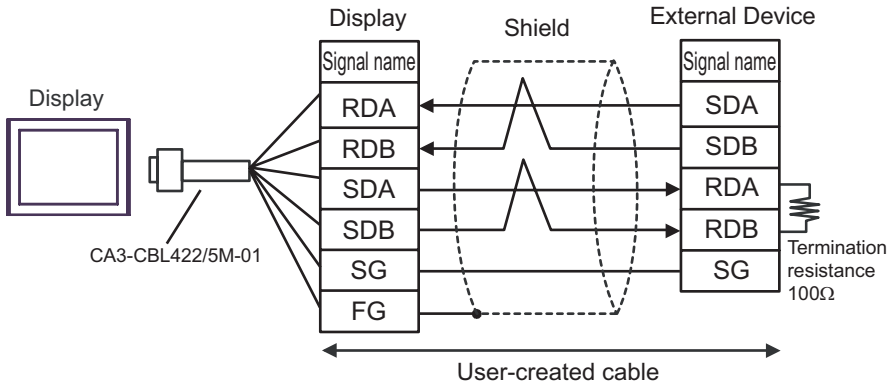


- 1:n connection

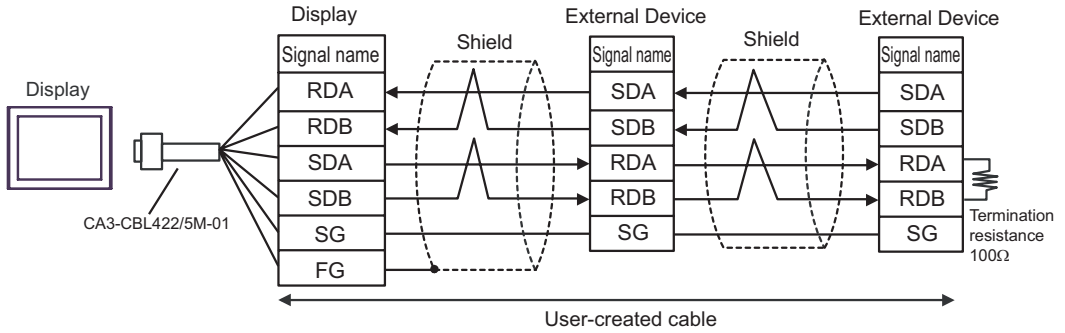


2C)

- 1:1 connection

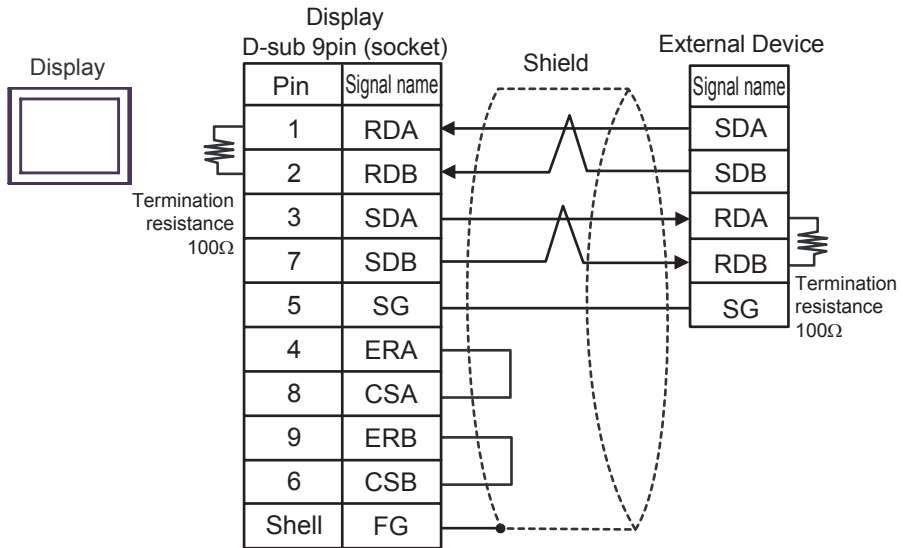


- 1:n connection

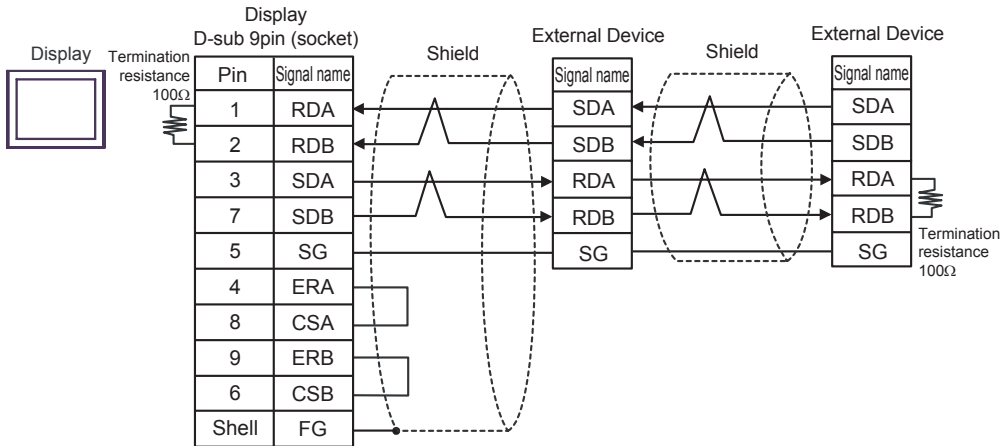


2D)

- 1:1 connection

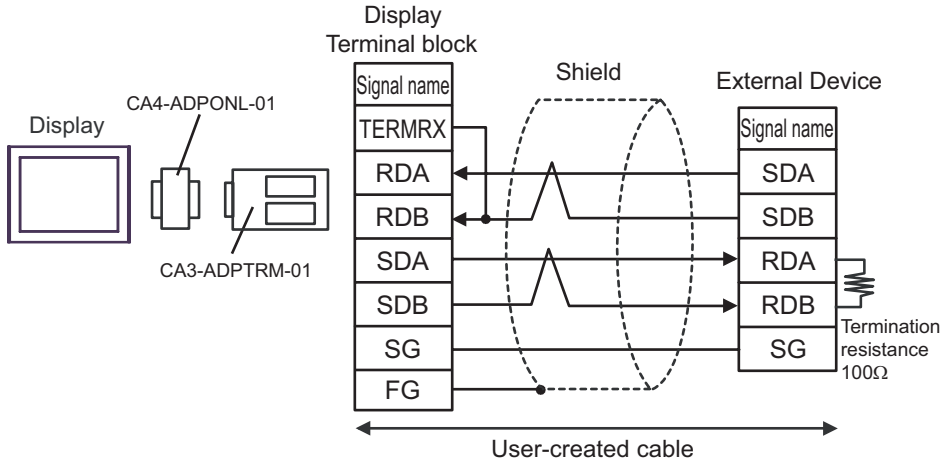


- 1:n connection

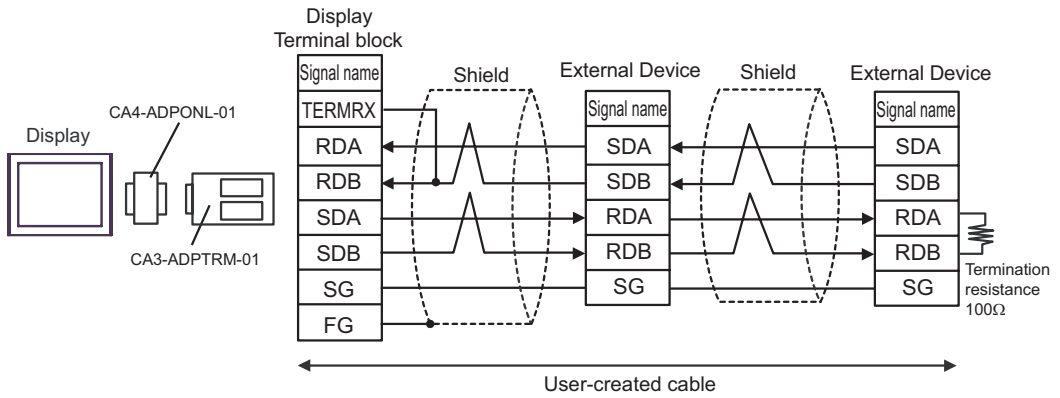


2E)

- 1:1 connection

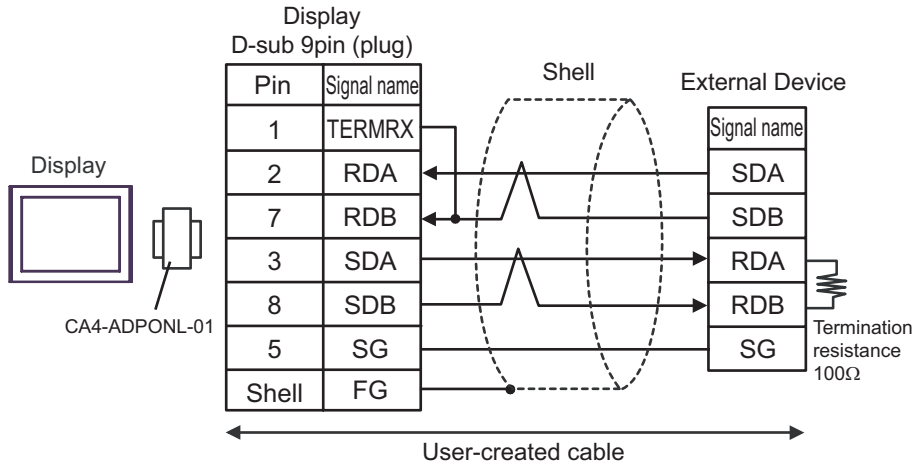


- 1:n connection

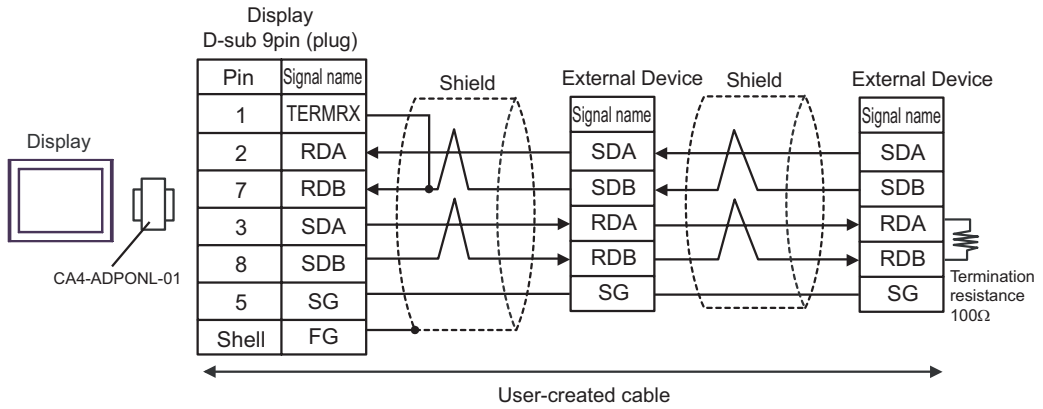


2F)

- 1:1 connection

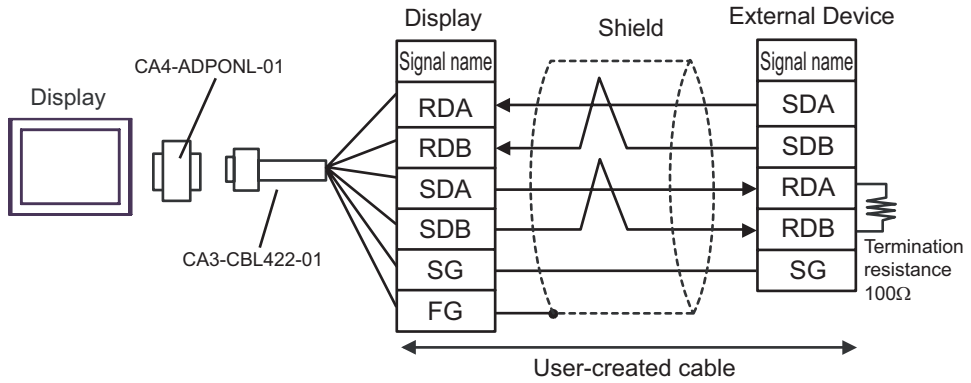


- 1:n connection

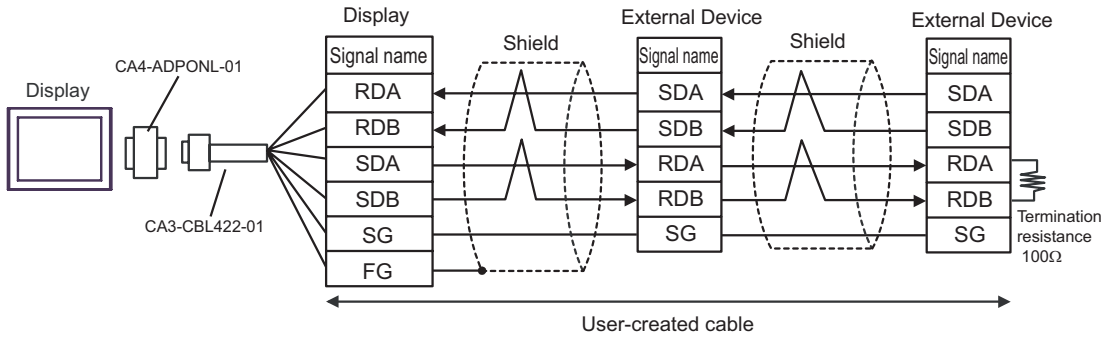


2G)

- 1:1 connection

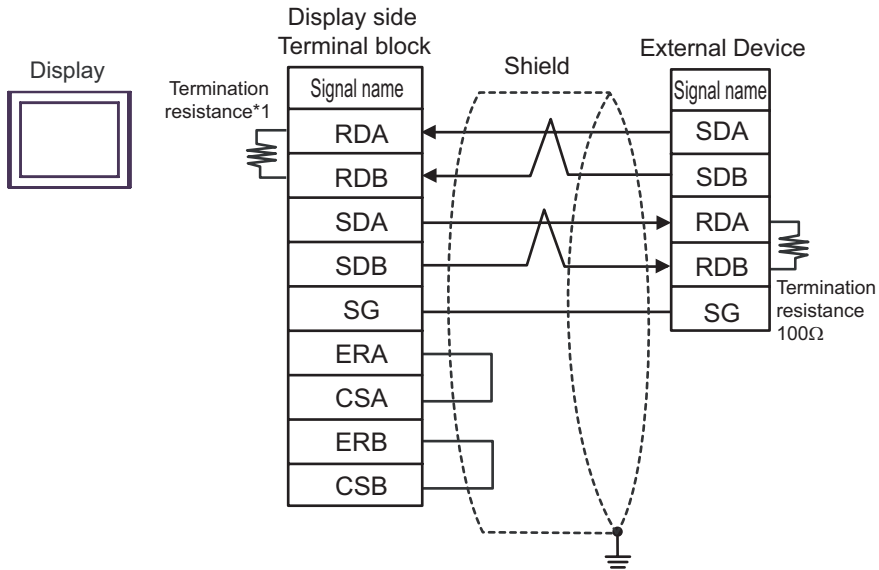


- 1:n connection

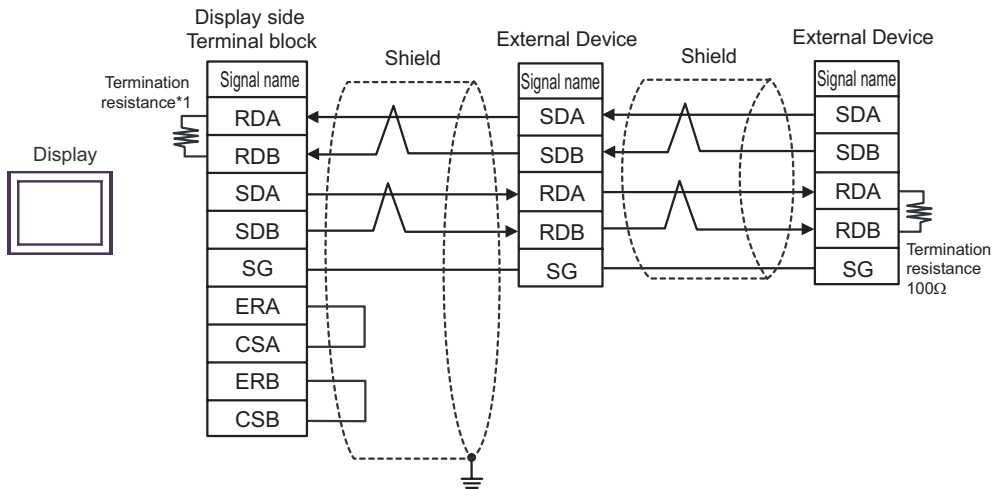


2H)

- 1:1 connection



- 1:n connection

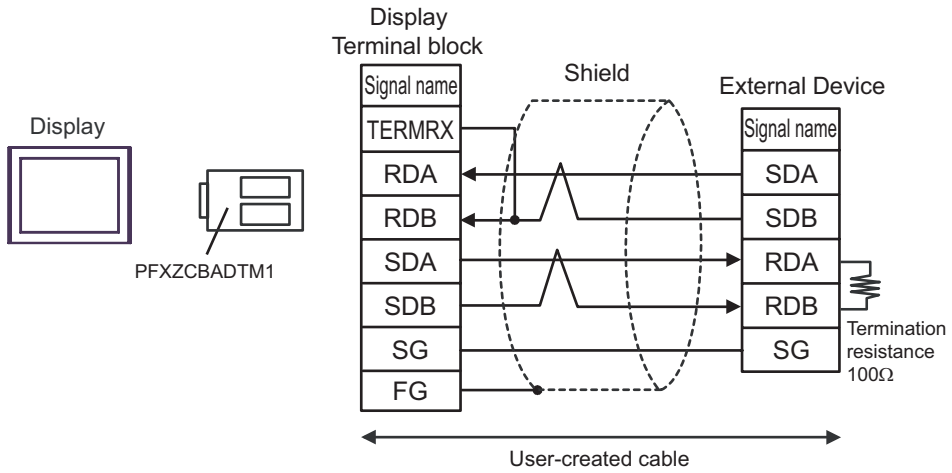


*1 The resistance in the Display is used as the termination resistance. Set the value of the DIP Switch on the rear of the Display as shown in the table below.

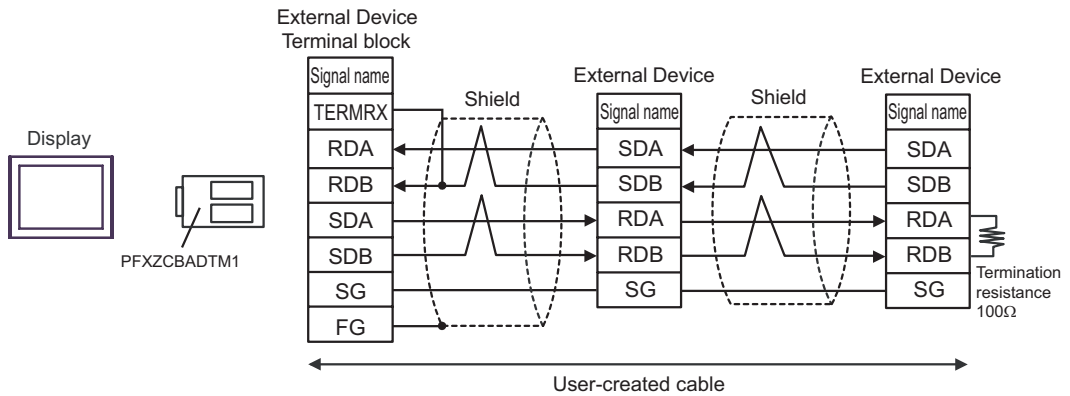
DIP Switch No.	Set Value
1	OFF
2	OFF
3	ON
4	ON

2l)

- 1:1 connection

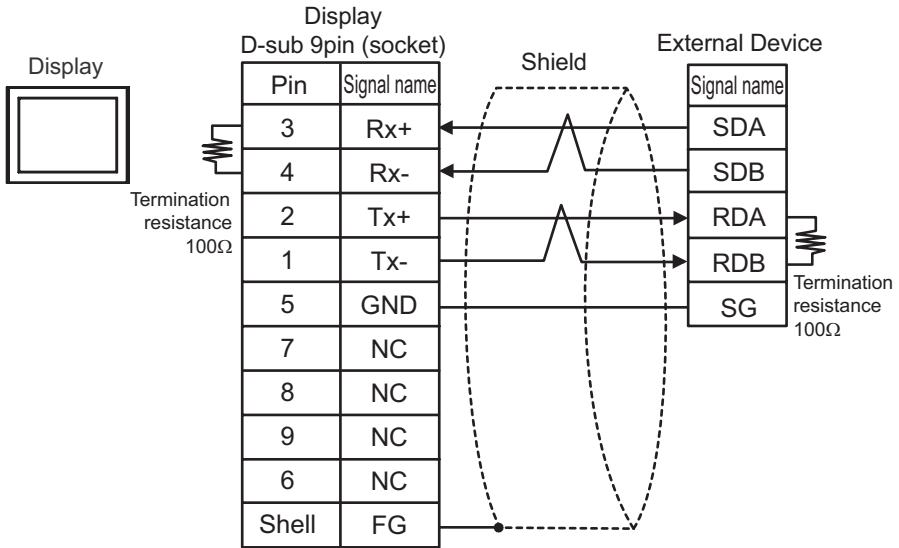


- 1:n connection

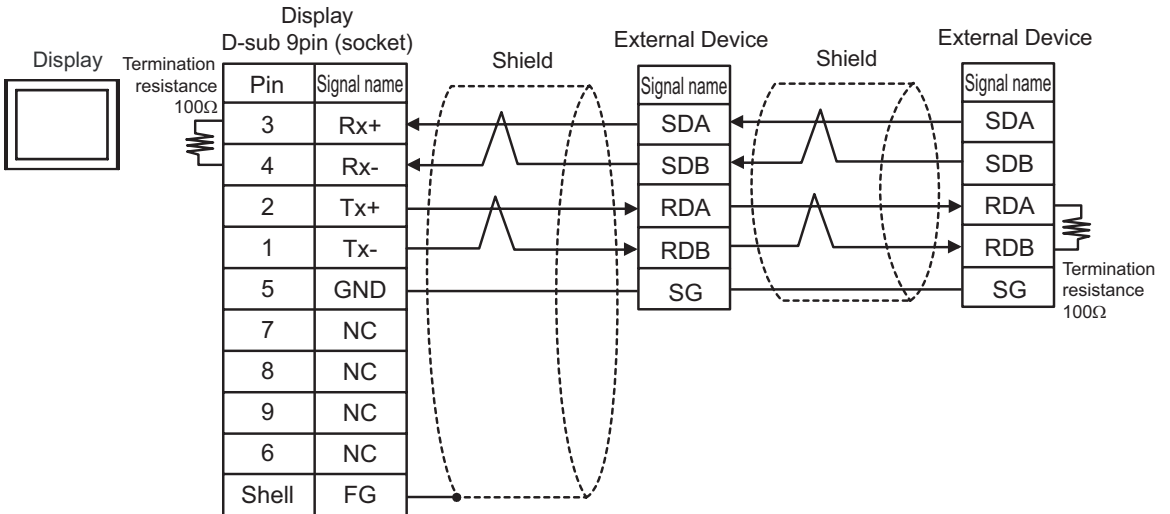


2J)

- 1:1 connection



- 1:n connection





Cable Diagram 3

Display (Connection Port)	Cable		Notes
GP3000* ¹ (COM1) AGP-3302B (COM2) GP-4*01TM (COM1) GP-Rear Module (COM1) ST* ² (COM2) LT3000 (COM1)	3A	COM port conversion adapter by Pro-face CA3-ADPCOM-01 + Terminal block conversion adapter by Pro-face CA3-ADPTRM-01 + User-created cable	Cable length: 600m or less
	3B	User-created cable	
GP3000* ³ (COM2)	3C	Online adapter by Pro-face CA4-ADPONL-01 + Terminal block conversion adapter by Pro-face CA3-ADPTRM-01 + User-created cable	Cable length: 600m or less
	3D	Online adapter by Pro-face CA4-ADPONL-01 + User-created cable	
IPC* ⁴	3E	COM port conversion adapter by Pro-face CA3-ADPCOM-01 + Terminal block conversion adapter by Pro-face CA3-ADPTRM-01 + User-created cable	
	3F	User-created cable	
GP-4106 (COM1) GP-4116T (COM1)	3G	User-created cable	Cable length: 600m or less
GP-4107 (COM1) GP-4*03T* ⁵ (COM2) GP-4203T (COM1)	3H	User-created cable	Cable length: 600m or less
GP4000* ⁶ (COM2) GP-4201T (COM1) SP5000* ⁷ (COM1/2) SP-5B00 (COM2)	3I	RS-422 Terminal Block Conversion Adapter by Pro-face PFXZCBADTM1* ⁸ + User-created cable	Cable length: 600m or less
	3B	User-created cable	
LT-4*01TM (COM1) LT-Rear Module (COM1)	3J	RJ45 RS-485 Cable (5m) by Pro-face PFXZLMCBJR81	Cable length: 200m or less
PE-4000B* ⁹ PS5000* ⁹	3K	User-created cable	Cable length: 600m or less

*1 All GP3000 models except AGP-3302B

*2 All ST models except AST-3211A and AST-3302B

- *3 All GP3000 models except GP-3200 series and AGP-3302B
- *4 Only the COM port which can communicate by RS-422/485 (2 wire) can be used. (Except PE-4000B, PS5000)
 "■ IPC COM Port" (page 6)
- *5 Except GP-4203T
- *6 All GP4000 models except GP-4100 Series, GP-4*01TM, GP-Rear Module, GP-4201T and GP-4*03T
- *7 Except SP-5B00
- *8 When using a Terminal Block Conversion Adapter (CA3-ADPTRM-01) instead of the RS-422 Terminal Block Conversion Adapter, refer to Cable Diagram 3A.
- *9 Only the COM port which can communicate by RS-422/485 (2 wire) can be used.
 "■ IPC COM Port" (page 6)

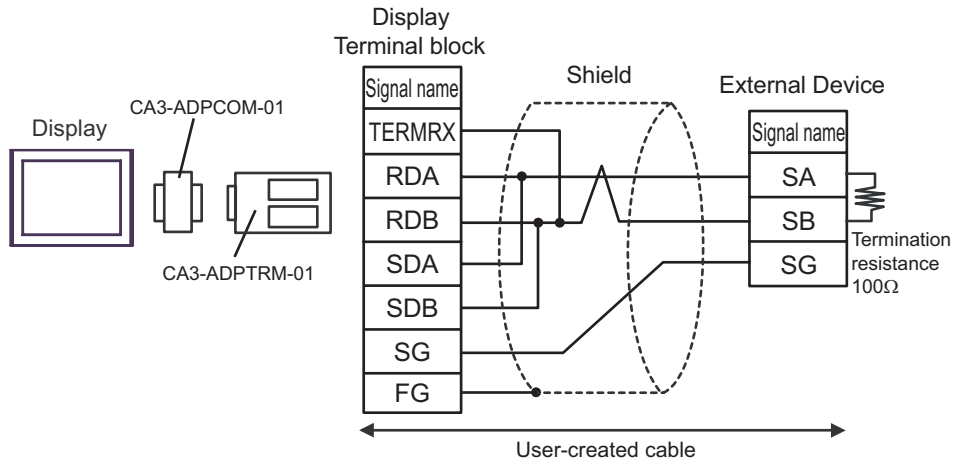
IMPORTANT

- Terminal number to be used for communication varies depending on the External Device. Terminal numbers corresponding to each series are shown below.

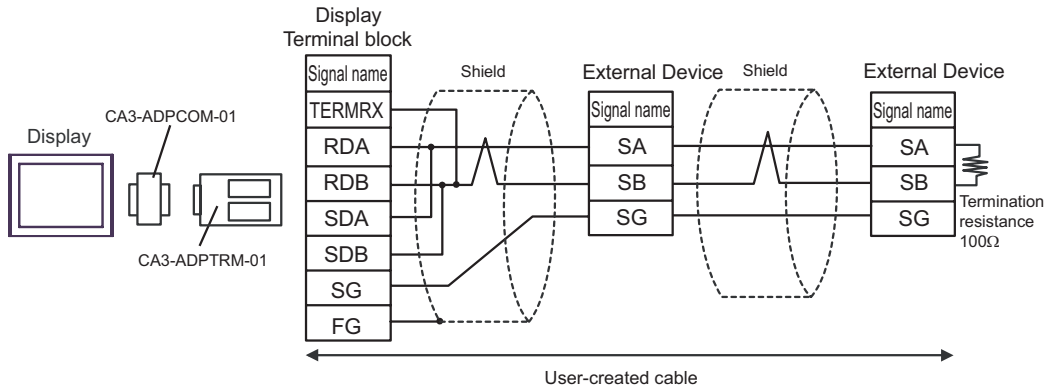
Series	SA	SB	SG
DB1000	12	13	14
DB2000 (COM1)	26	27	28
DB2000 (COM2)	29	30	31
KP1000	12	13	14
KP2000 (COM1)	26	27	28
KP2000 (COM2)	29	30	31
KP3000 (COM1)	26	27	28
KP3000 (COM2)	29	30	31
LT230	6	7	8
LT300/400	11	12	15
LT830	6	7	8

3A)

- 1:1 connection

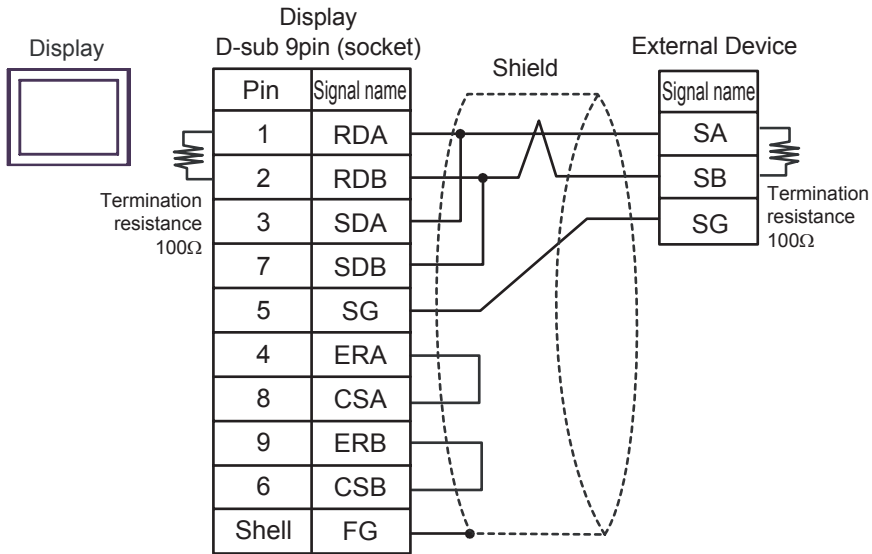


- 1:n connection

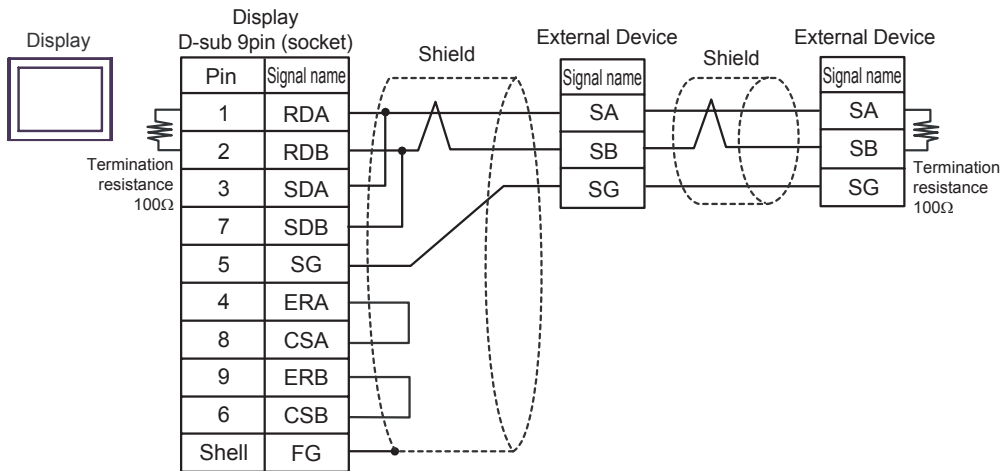


3B)

- 1:1 connection

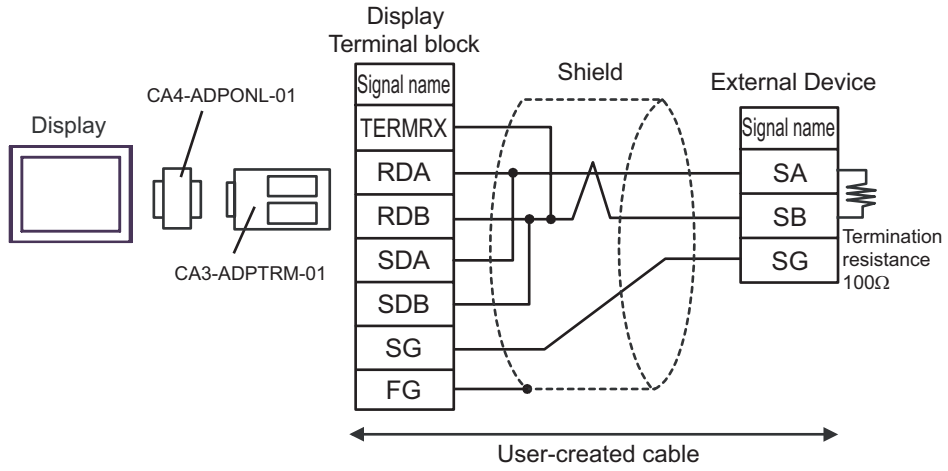


- 1:n connection

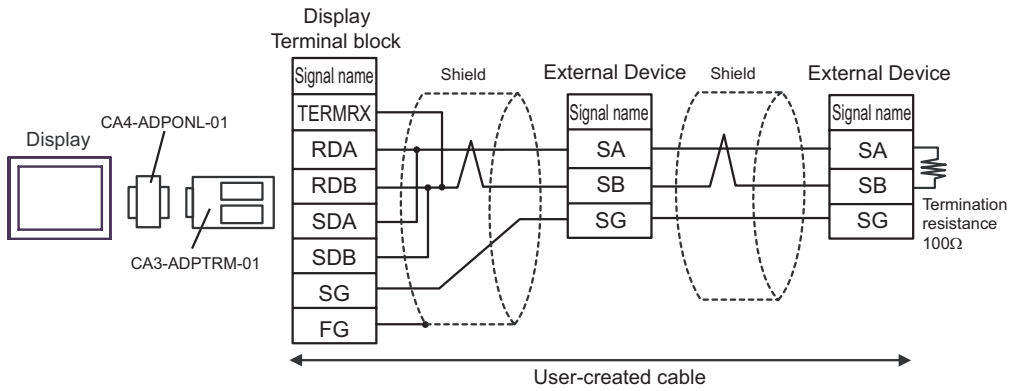


3C)

- 1:1 connection

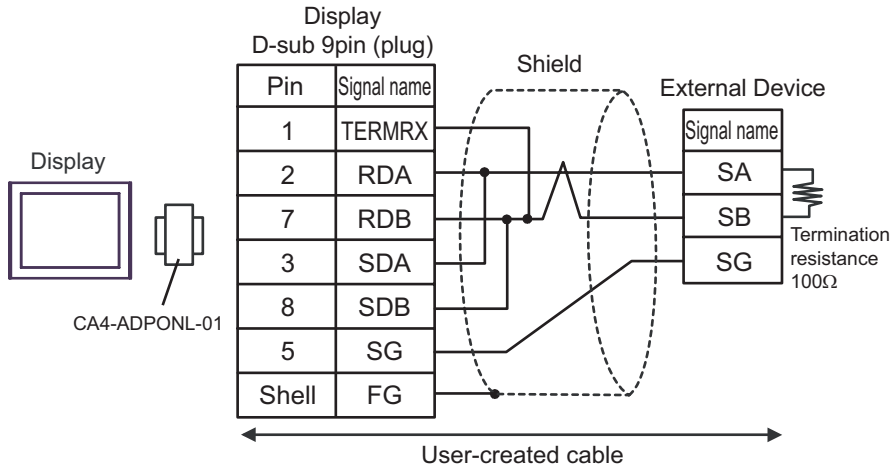


- 1:n connection

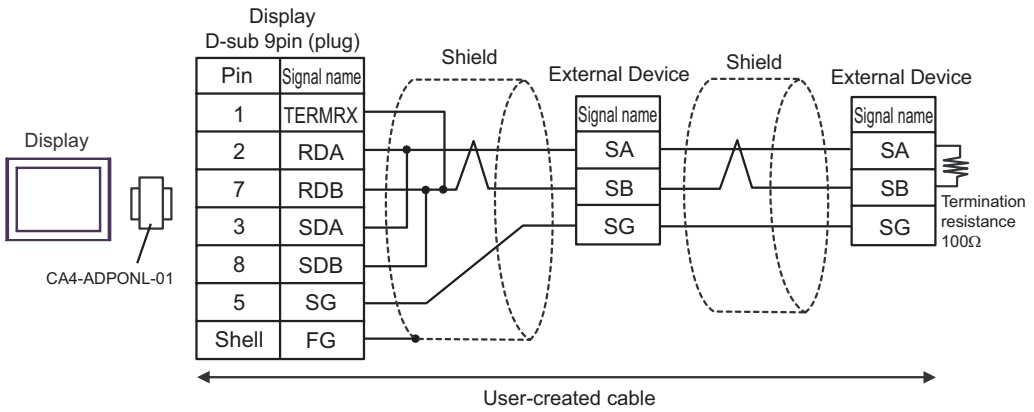


3D)

- 1:1 connection

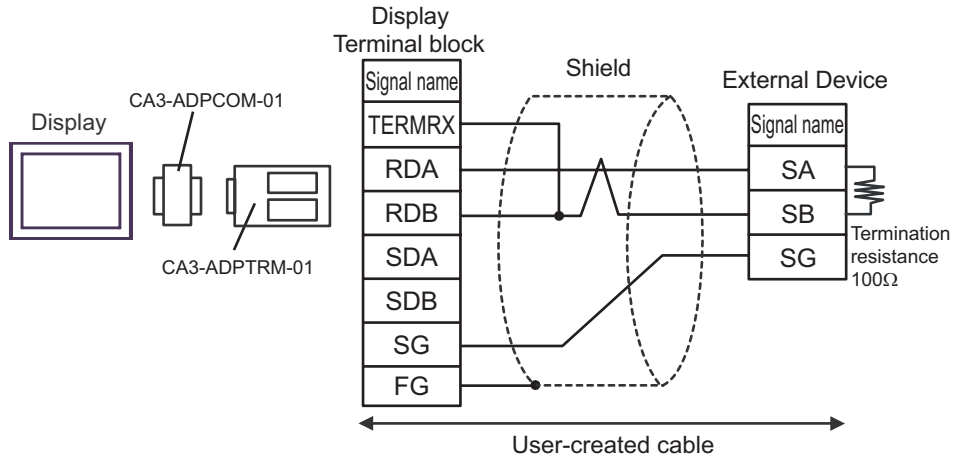


- 1:n connection

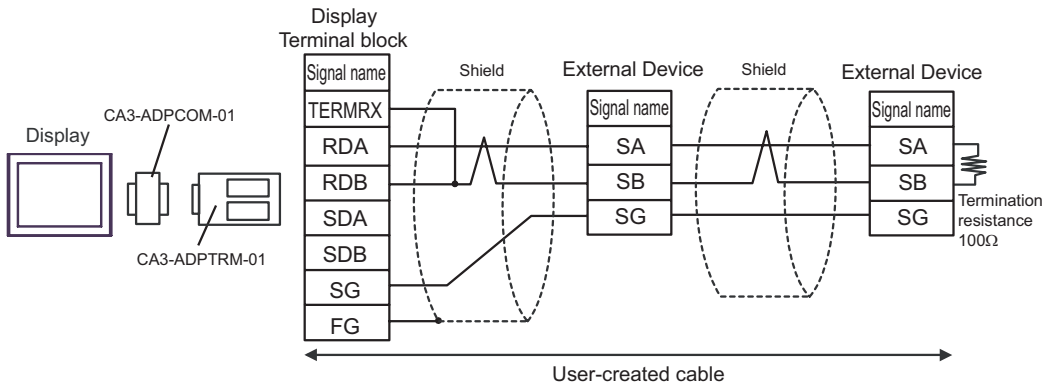


3E)

- 1:1 connection

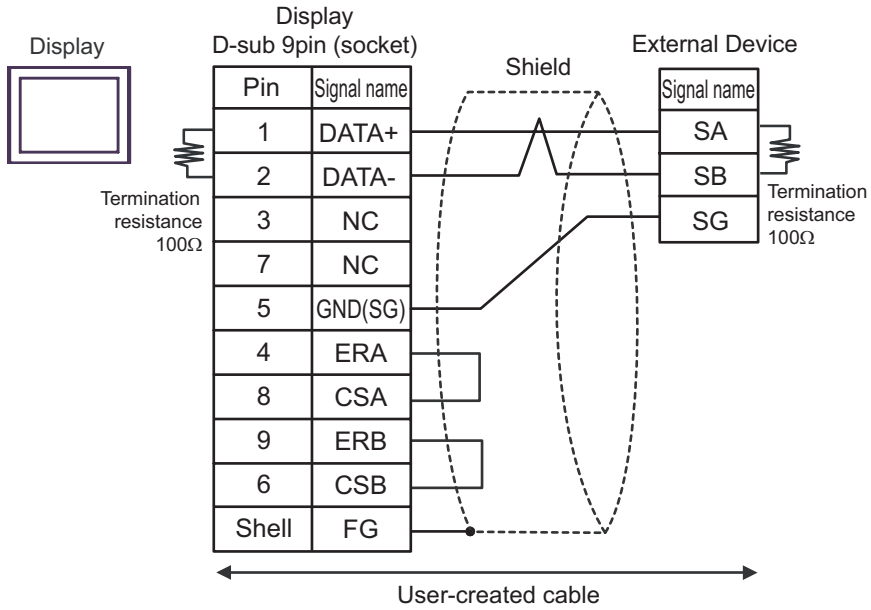


- 1:n connection

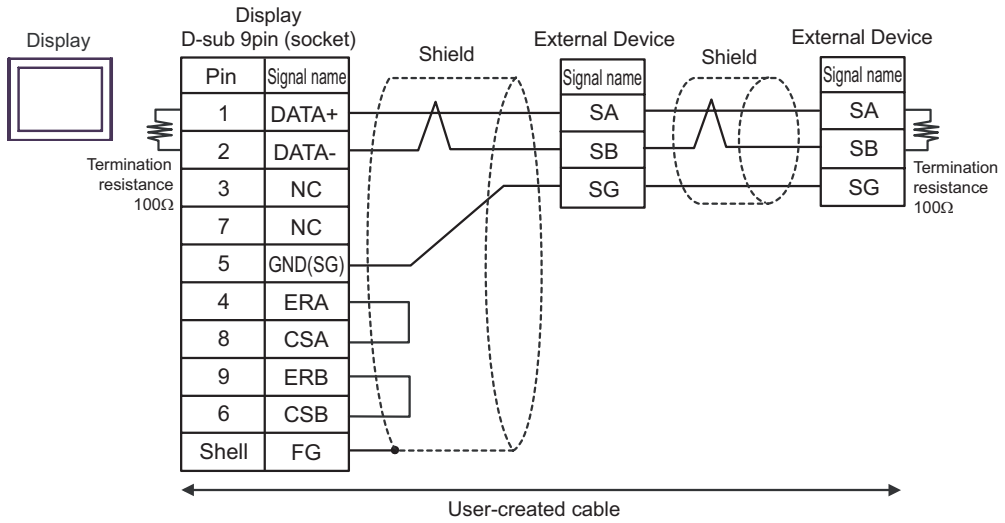


3F)

- 1:1 connection

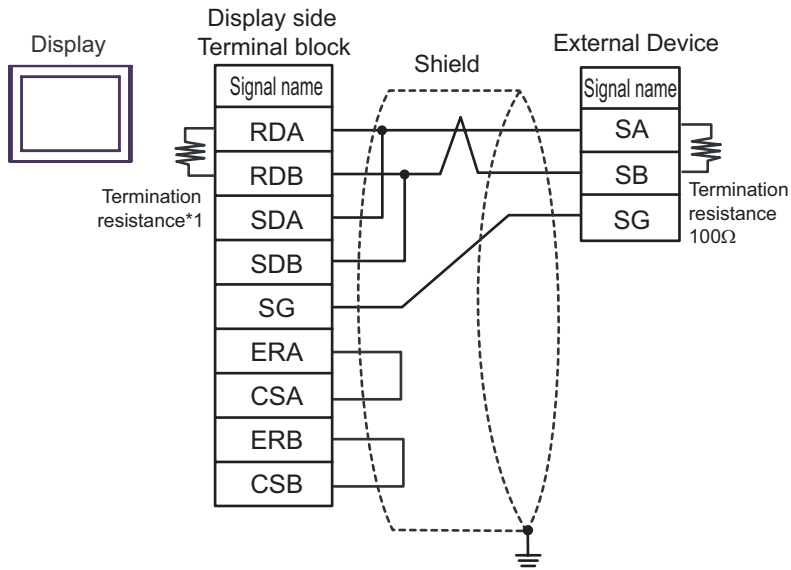


- 1:n connection

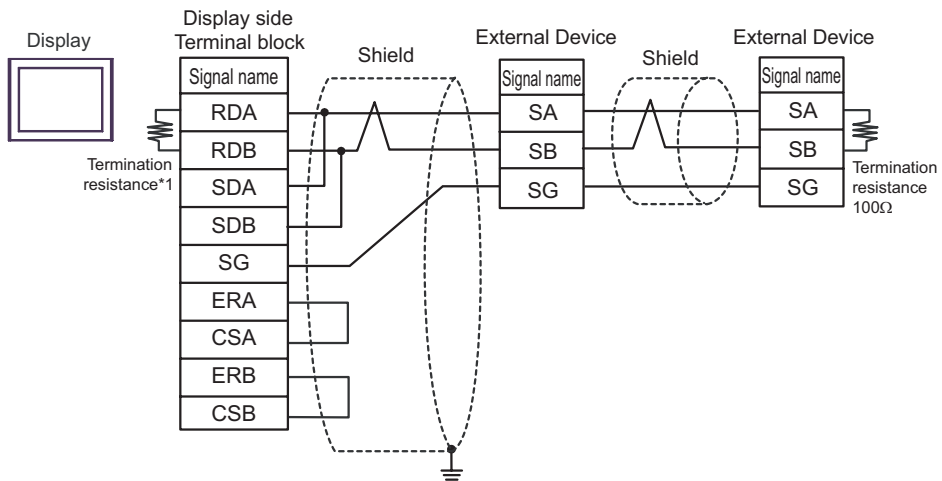


3G)

- 1:1 connection



- 1:n connection

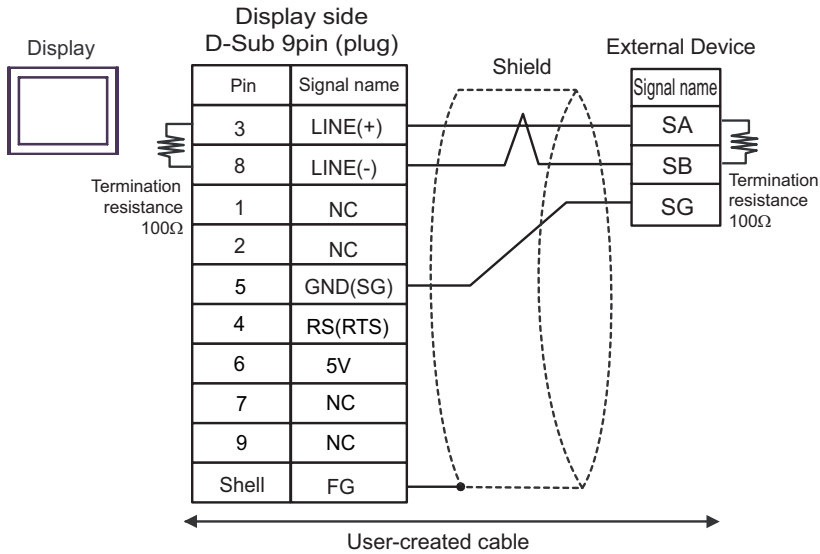


*1 The resistance in the Display is used as the termination resistance. Set the value of the DIP Switch on the rear of the Display as shown in the table below.

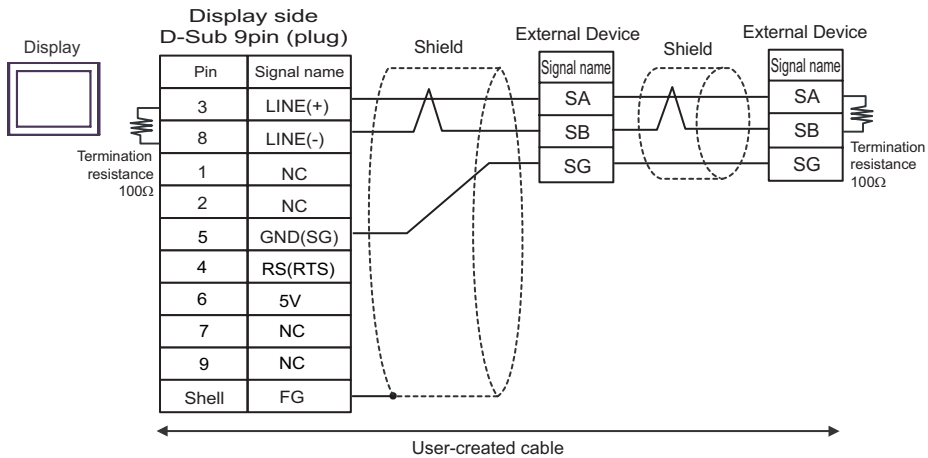
DIP Switch No.	Set Value
1	OFF
2	OFF
3	ON
4	ON

3H)

- 1:1 connection



- 1:n connection



IMPORTANT

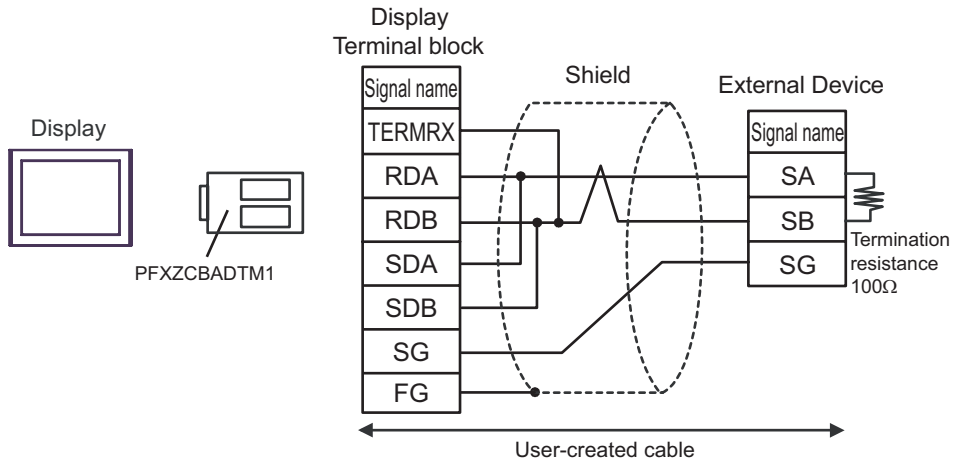
- The 5V output (Pin #6) on the Display is the power for the Siemens AG's PROFIBUS connector. Do not use it for other devices.

NOTE

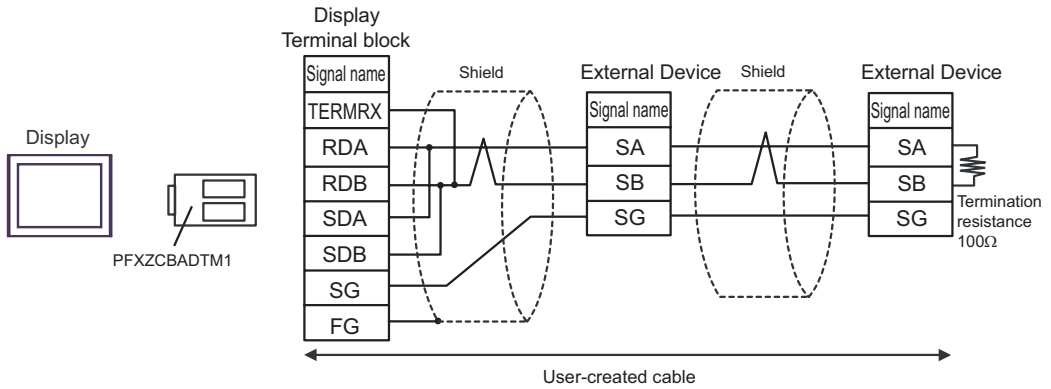
- In COM on the GP-4107, the SG and FG terminals are isolated.

3l)

- 1:1 connection

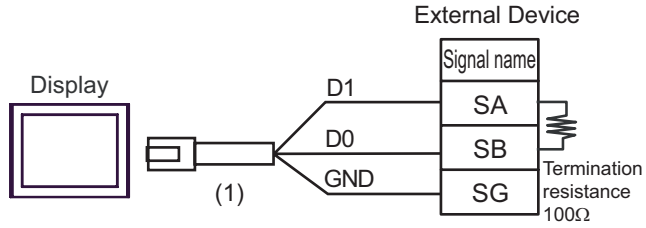


- 1:n connection

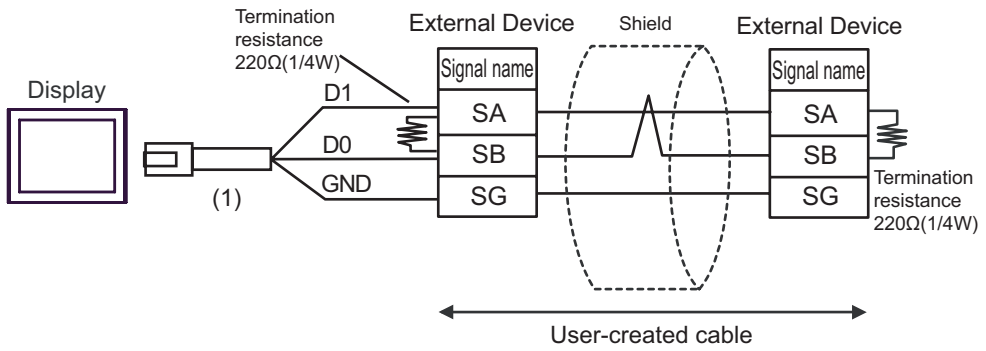


3J)

- 1:1 connection



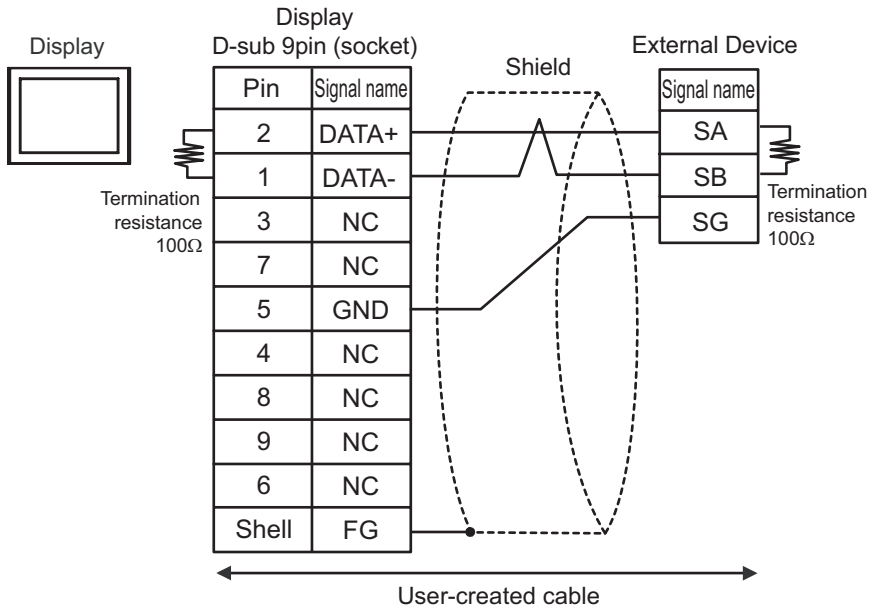
- 1:n connection



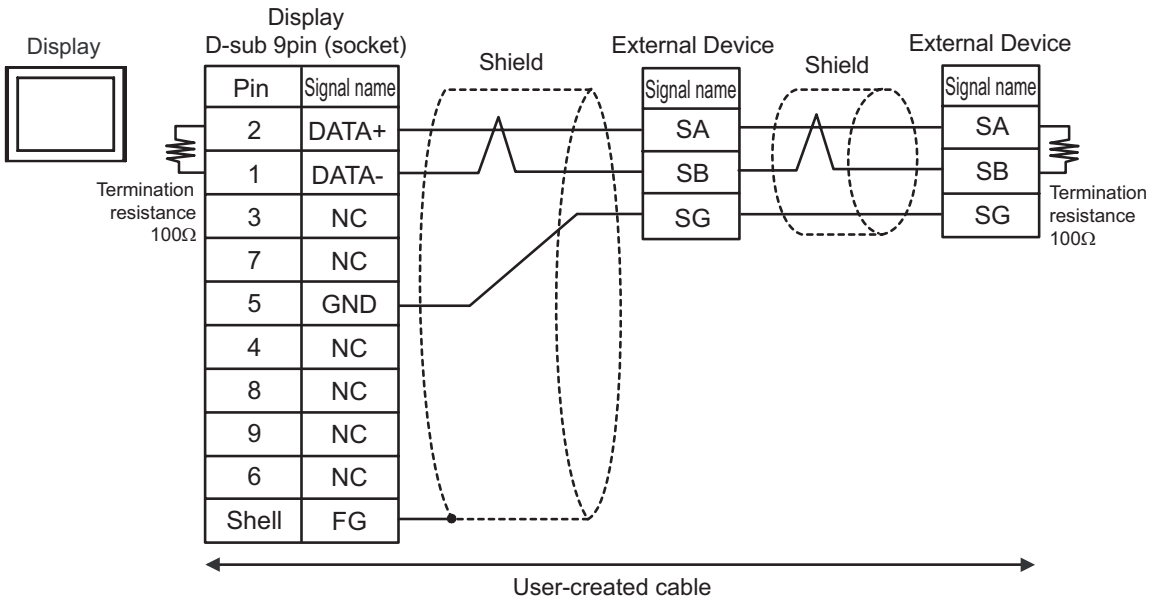
Number	Name	Notes
(1)	RJ45 RS-485 Cable (5m) by Pro-face PFXZLMCBRJ81	

3K)

- 1:1 connection



- 1:n connection



Cable Diagram 4

Display (Connection Port)	Cable		Notes
GP3000* ¹ (COM1) AGP-3302B (COM2) GP-4*01TM (COM1) GP-Rear Module (COM1) ST* ² (COM2) LT3000 (COM1)	4A	COM port conversion adapter by Pro-face CA3-ADPCOM-01 + Terminal block conversion adapter by Pro-face CA3-ADPTRM-01 + User-created cable	Cable length: 600m or less
	4B	User-created cable	
GP3000* ³ (COM2)	4C	Online adapter by Pro-face CA4-ADPONL-01 + Terminal block conversion adapter by Pro-face CA3-ADPTRM-01 + User-created cable	Cable length: 600m or less
	4D	Online adapter by Pro-face CA4-ADPONL-01 + User-created cable	
IPC* ⁴	4E	COM port conversion adapter by Pro-face CA3-ADPCOM-01 + Terminal block conversion adapter by Pro-face CA3-ADPTRM-01 + User-created cable	Cable length: 600m or less
	4F	User-created cable	
GP-4106 (COM1) GP-4116T (COM1)	4G	User-created cable	Cable length: 600m or less
GP-4107 (COM1) GP-4*03T* ⁵ (COM2) GP-4203T (COM1)	4H	User-created cable	Cable length: 600m or less
GP4000* ⁶ (COM2) GP-4201T (COM1) SP5000* ⁷ (COM1/2) SP-5B00 (COM2)	4I	RS-422 Terminal Block Conversion Adapter by Pro-face PFXZCBADTM1* ⁸ + User-created cable	Cable length: 600m or less
	4B	User-created cable	
LT-4*01TM (COM1) LT-Rear Module (COM1)	4J	RJ45 RS-485 Cable (5m) by Pro-face PFXZLMCBRJ81	Cable length: 200m or less
PE-4000B* ⁹ PS5000* ⁹	4K	User-created cable	Cable length: 600m or less

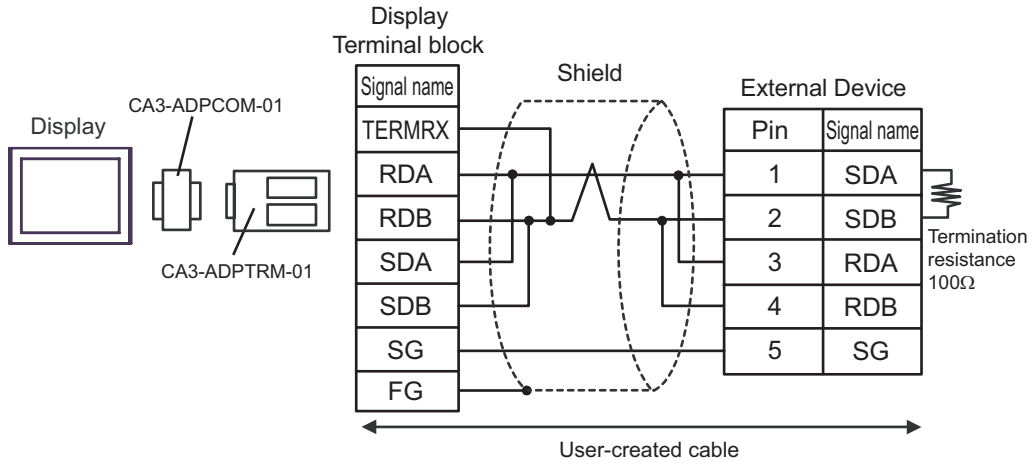
*1 All GP3000 models except AGP-3302B

*2 All ST models except AST-3211A and AST-3302B

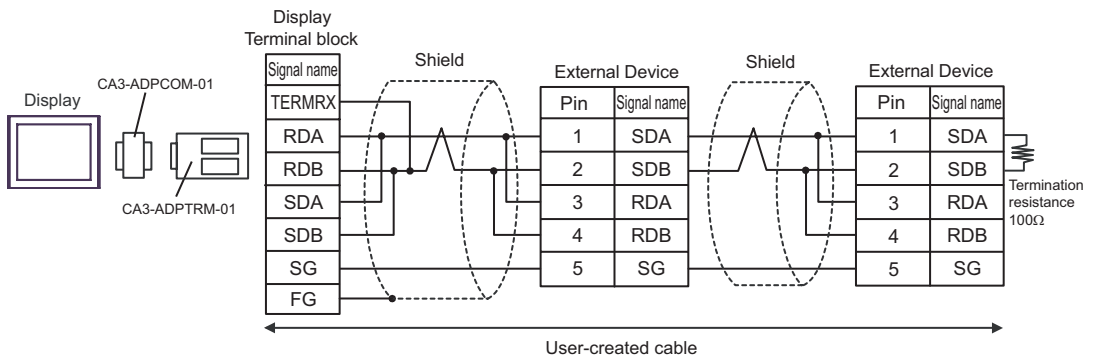
- *3 All GP3000 models except GP-3200 series and AGP-3302B
- *4 Only the COM port which can communicate by RS-422/485 (2 wire) can be used. (Except PE-4000B, PS5000)
☞ "■ IPC COM Port" (page 6)
- *5 Except GP-4203T
- *6 All GP4000 models except GP-4100 Series, GP-4*01TM, GP-Rear Module, GP-4201T and GP-4*03T
- *7 Except SP-5B00
- *8 When using a Terminal Block Conversion Adapter (CA3-ADPTRM-01) instead of the RS-422 Terminal Block Conversion Adapter, refer to Cable Diagram 4A.
- *9 Only the COM port which can communicate by RS-422/485 (2 wire) can be used.
☞ "■ IPC COM Port" (page 6)

4A)

- 1:1 connection

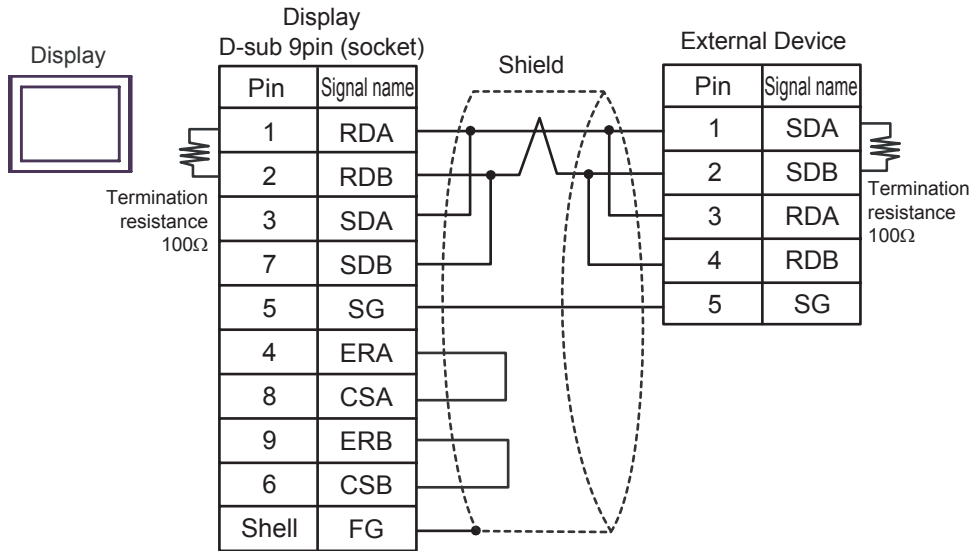


- 1:n connection

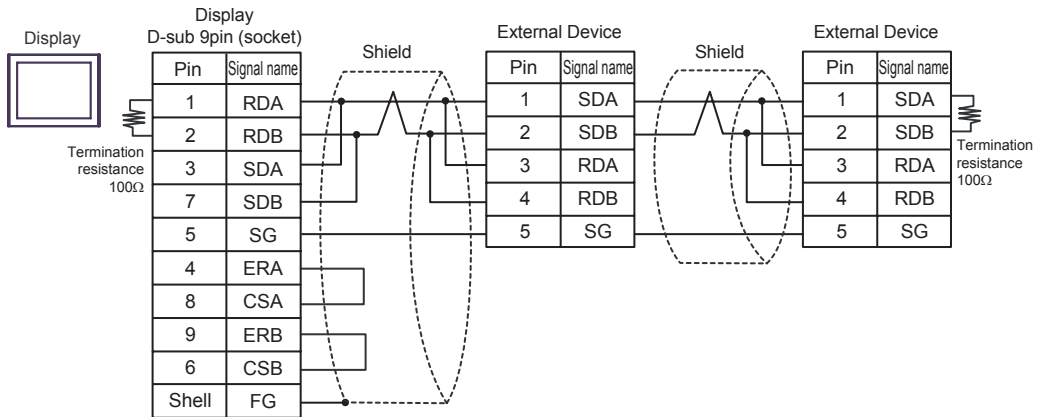


4B)

- 1:1 connection

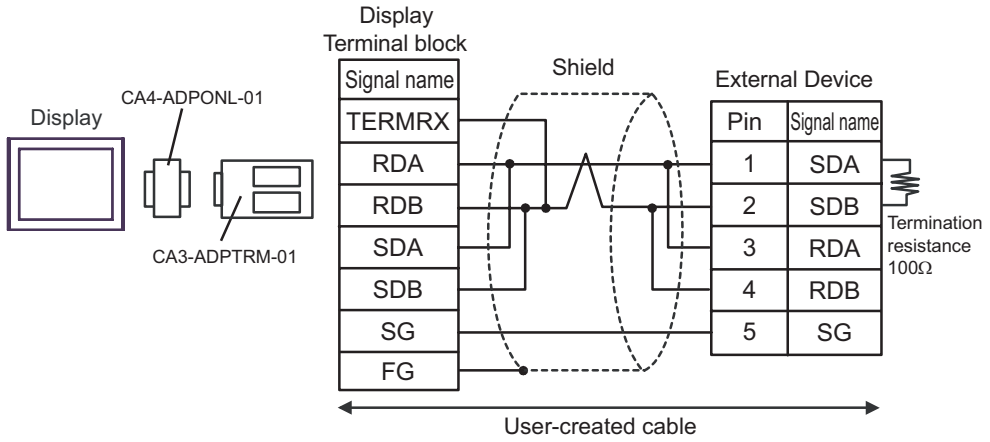


- 1:n connection

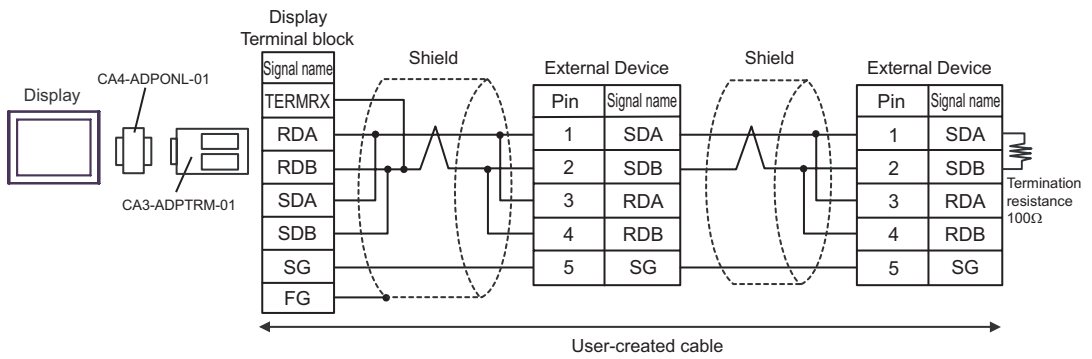


4C)

- 1:1 connection

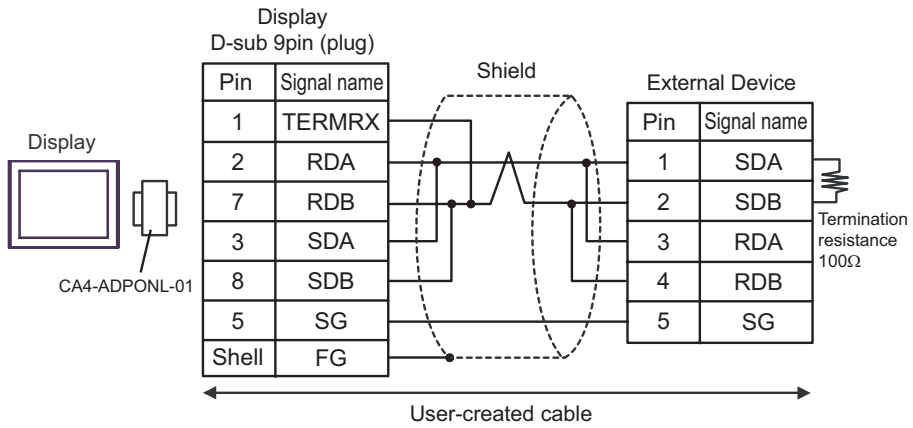


- 1:n connection

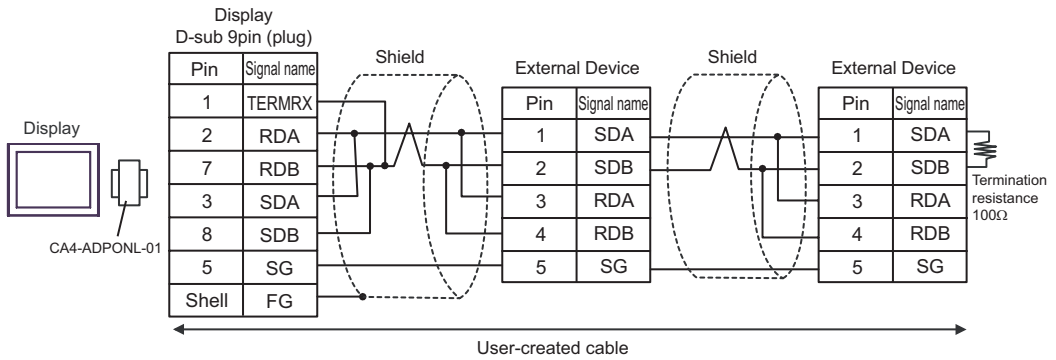


4D)

- 1:1 connection

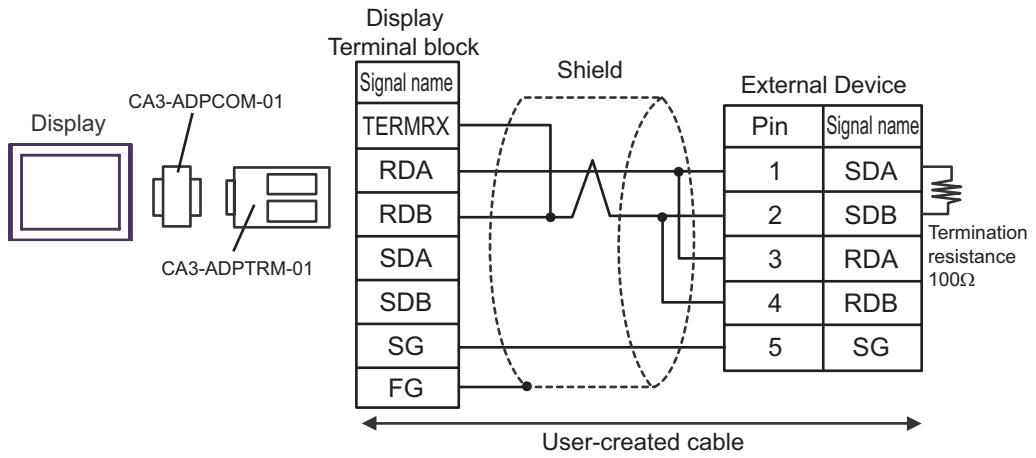


- 1:n connection

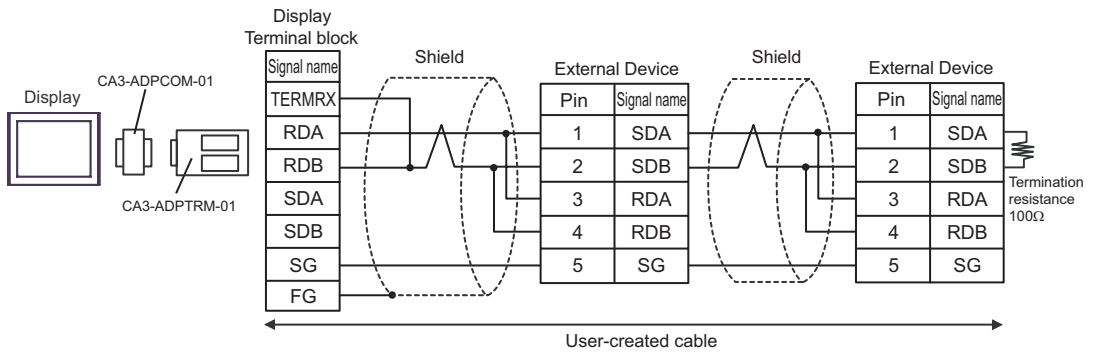


4E)

- 1:1 connection

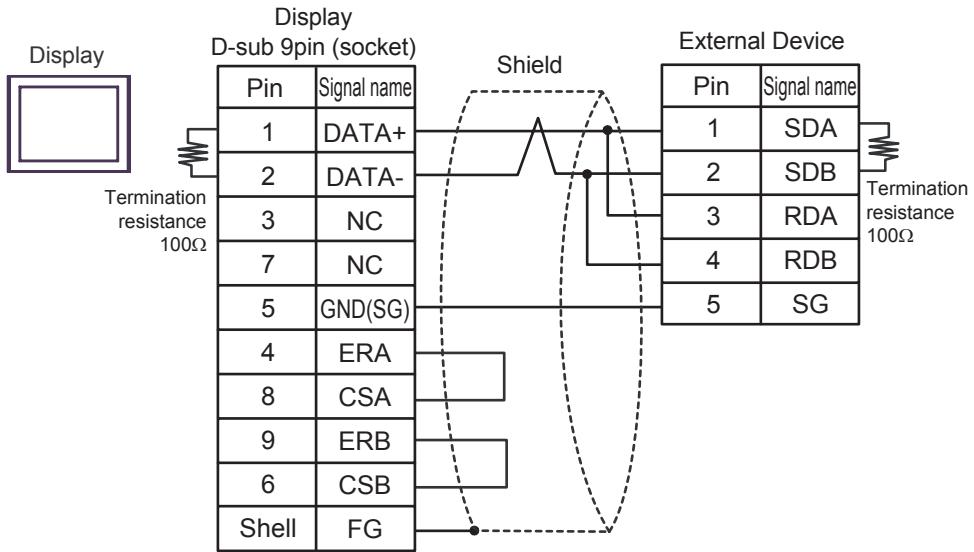


- 1:n connection

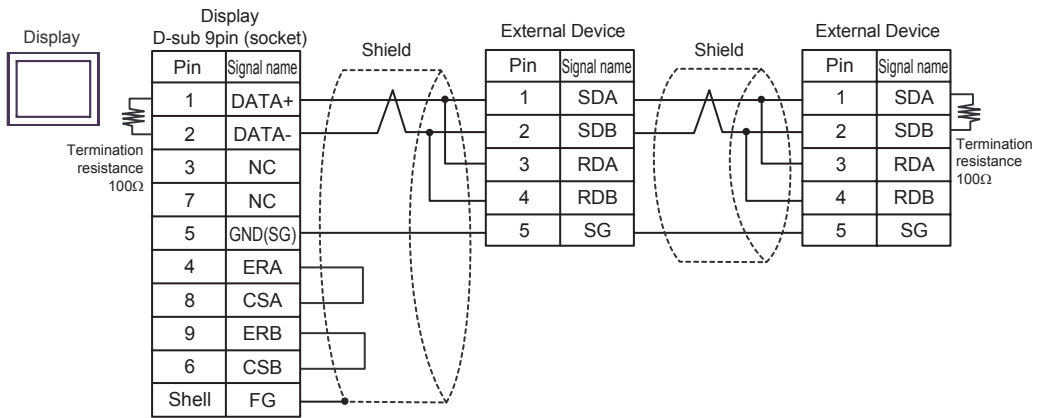


4F)

- 1:1 connection

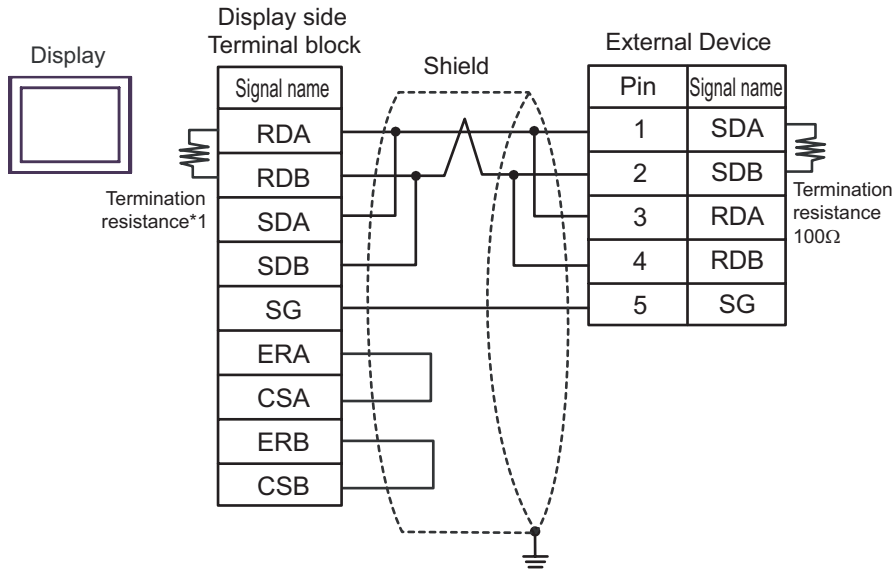


- 1:n connection

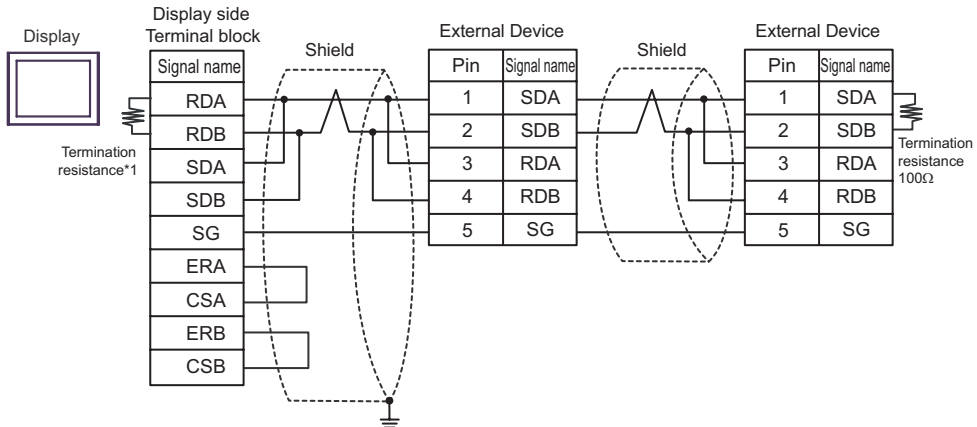


4G)

- 1:1 connection



- 1:n connection

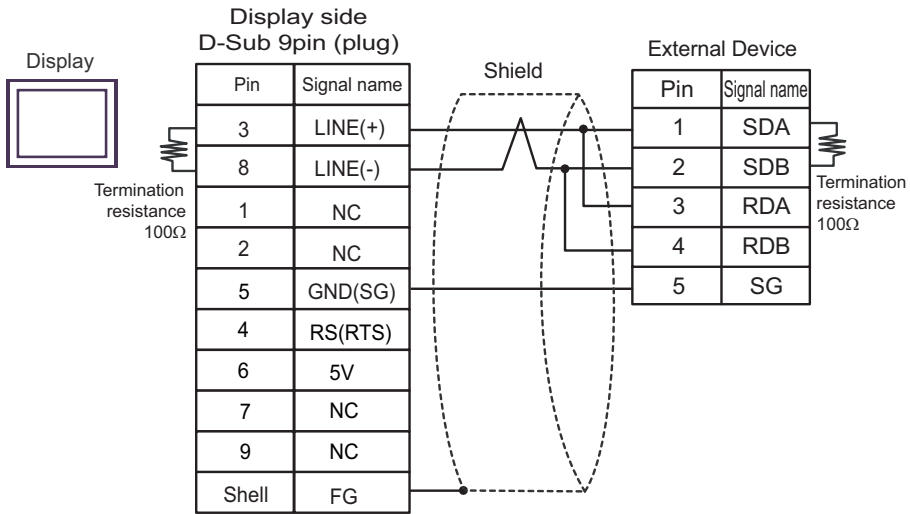


*1 The resistance in the Display is used as the termination resistance. Set the value of the DIP Switch on the rear of the Display as shown in the table below.

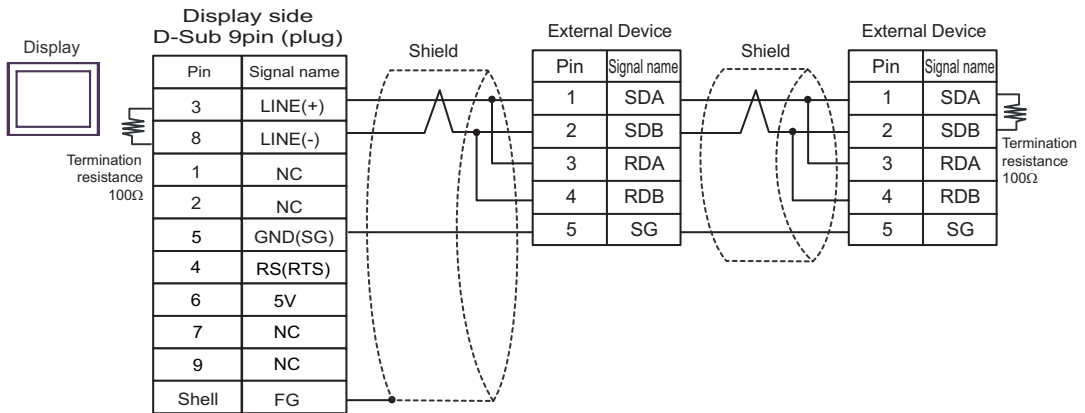
DIP Switch No.	Set Value
1	OFF
2	OFF
3	ON
4	ON

4H)

- 1:1 connection



- 1:n connection



IMPORTANT

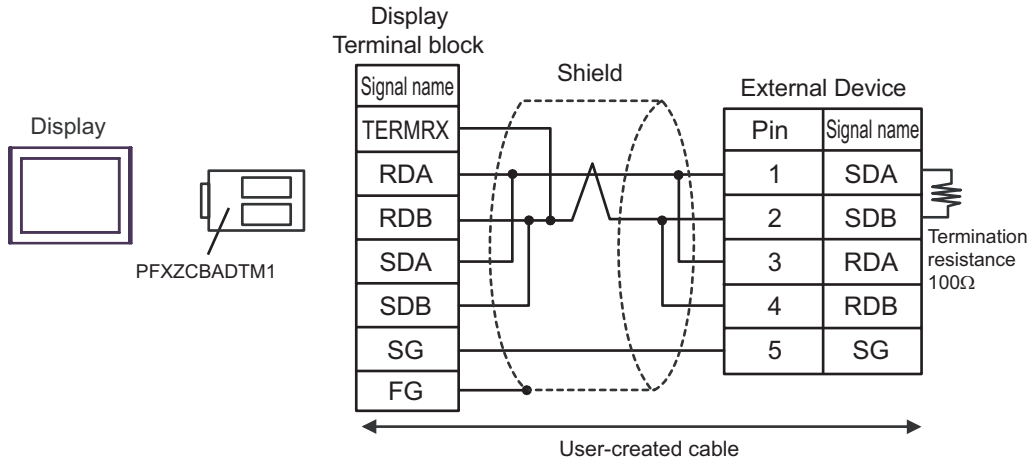
- The 5V output (Pin #6) on the Display is the power for the Siemens AG's PROFIBUS connector. Do not use it for other devices.

NOTE

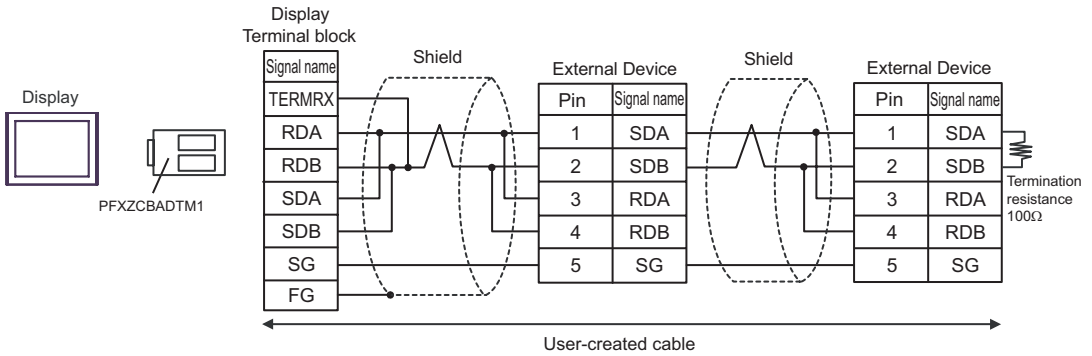
- In COM on the GP-4107, the SG and FG terminals are isolated.

4l)

- 1:1 connection

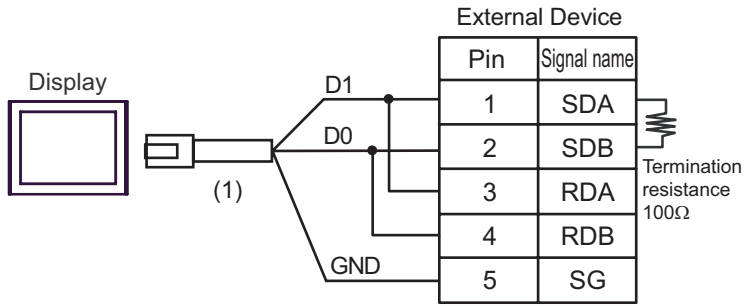


- 1:n connection

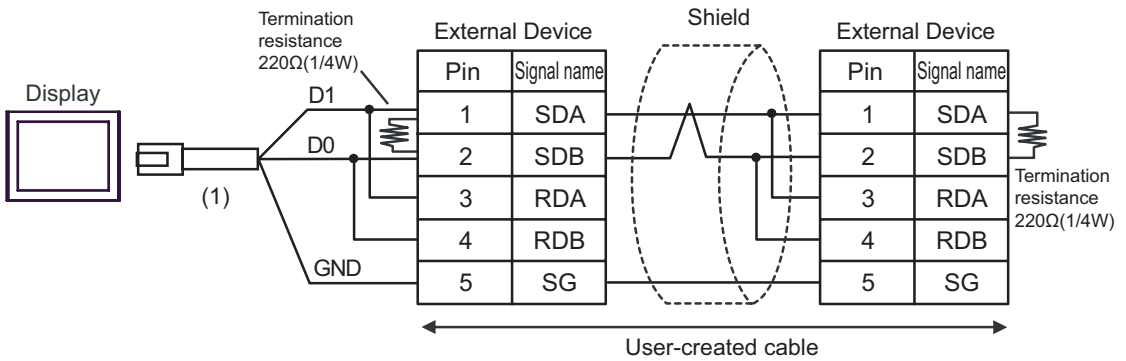


4J)

- 1:1 connection



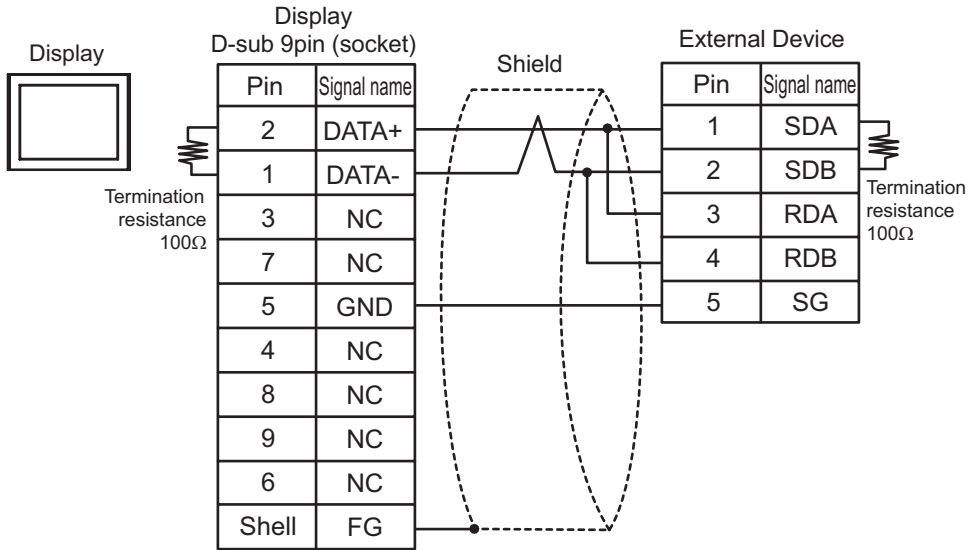
- 1:n connection



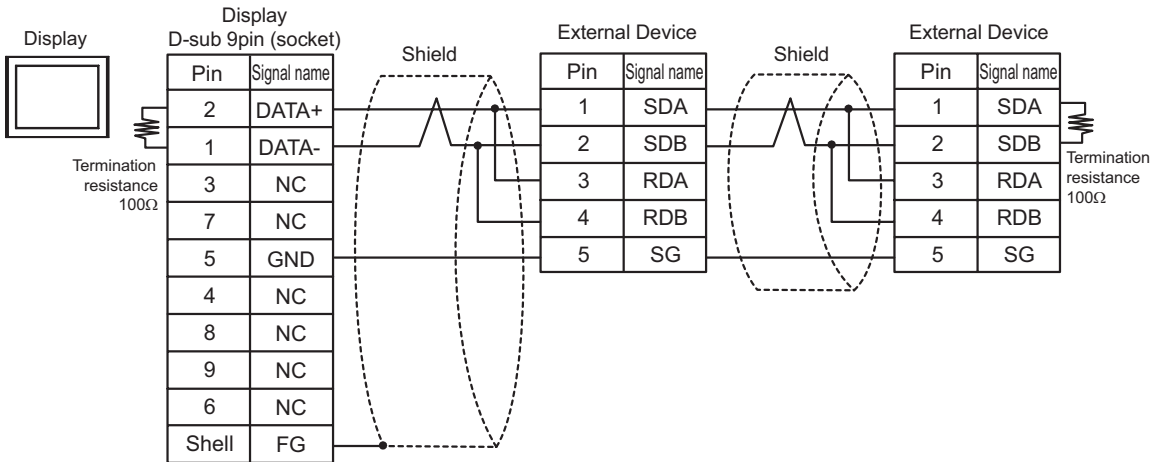
Number	Name	Notes
(1)	RJ45 RS-485 Cable (5m) by Pro-face PFXZLMCBJR81	

4K)

- 1:1 connection



- 1:n connection



Cable Diagram 5


Display (Connection Port)	Cable		Notes
GP3000* ¹ (COM1) AGP-3302B (COM2) GP-4*01TM (COM1) GP-Rear Module (COM1) ST* ² (COM2) LT3000 (COM1)	5A	COM port conversion adapter by Pro-face CA3-ADPCOM-01 + Terminal block conversion adapter by Pro-face CA3-ADPTRM-01 + User-created cable	Cable length: 600m or less However, between the master and the slave cable length: 10m or less
	5B	User-created cable	
GP3000* ³ (COM2)	5C	Online adapter by Pro-face CA4-ADPONL-01 + Terminal block conversion adapter by Pro-face CA3-ADPTRM-01 + User-created cable	Cable length: 600m or less However, between the master and the slave cable length: 10m or less
	5D	Online adapter by Pro-face CA4-ADPONL-01 + User-created cable	
IPC* ⁴	5E	COM port conversion adapter by Pro-face CA3-ADPCOM-01 + Terminal block conversion adapter by Pro-face CA3-ADPTRM-01 + User-created cable	Cable length: 600m or less However, between the master and the slave cable length: 10m or less
	5F	User-created cable	
GP-4106 (COM1) GP-4116T (COM1)	5G	User-created cable	Cable length: 600m or less However, between the master and the slave cable length: 10m or less
GP-4107 (COM1) GP-4*03T* ⁵ (COM2) GP-4203T (COM1)	5H	User-created cable	Cable length: 600m or less However, between the master and the slave cable length: 10m or less
GP4000* ⁶ (COM2) GP-4201T (COM1) SP5000* ⁷ (COM1/2) SP-5B00 (COM2)	5I	RS-422 Terminal Block Conversion Adapter by Pro-face PFXZCBADTM1* ⁸ + User-created cable	Cable length: 600m or less However, between the master and the slave cable length: 10m or less
	5B	User-created cable	

Display (Connection Port)	Cable		Notes
LT-4*01TM (COM1) LT-Rear Module (COM1)	5J	RJ45 RS-485 Cable (5m) by Pro-face PFXZLMCBRJR81	Cable length: 200m or less However, between the master and the slave cable length: 10m or less
PE-4000B* ⁹ PS5000* ⁹	5K	User-created cable	Cable length: 600m or less However, between the master and the slave cable length: 10m or less

*1 All GP3000 models except AGP-3302B

*2 All ST models except AST-3211A and AST-3302B

*3 All GP3000 models except GP-3200 series and AGP-3302B


*4 Only the COM port which can communicate by RS-422/485 (2 wire) can be used. (Except PE-4000B, PS5000)
 "■ IPC COM Port" (page 6)

*5 Except GP-4203T

*6 All GP4000 models except GP-4100 Series, GP-4*01TM, GP-Rear Module, GP-4201T and GP-4*03T

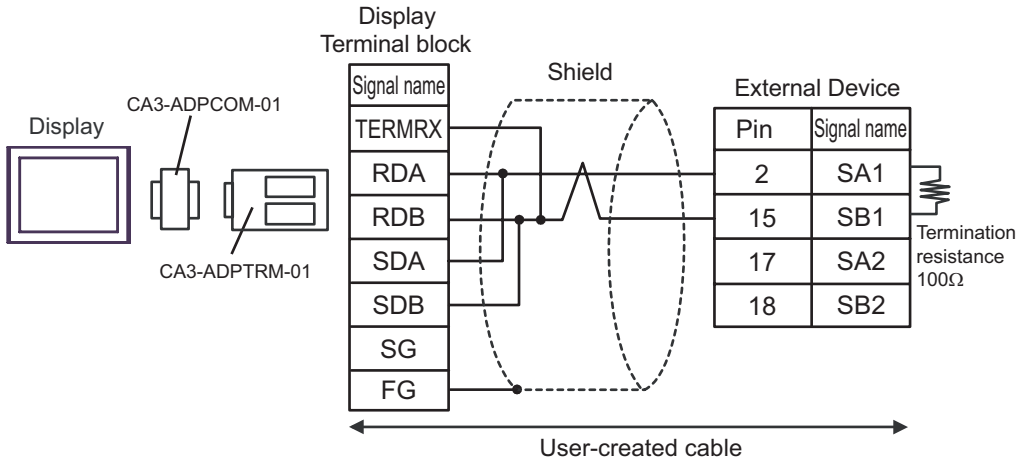
*7 Except SP-5B00

*8 When using a Terminal Block Conversion Adapter (CA3-ADPTRM-01) instead of the RS-422 Terminal Block Conversion Adapter, refer to Cable Diagram 5A.

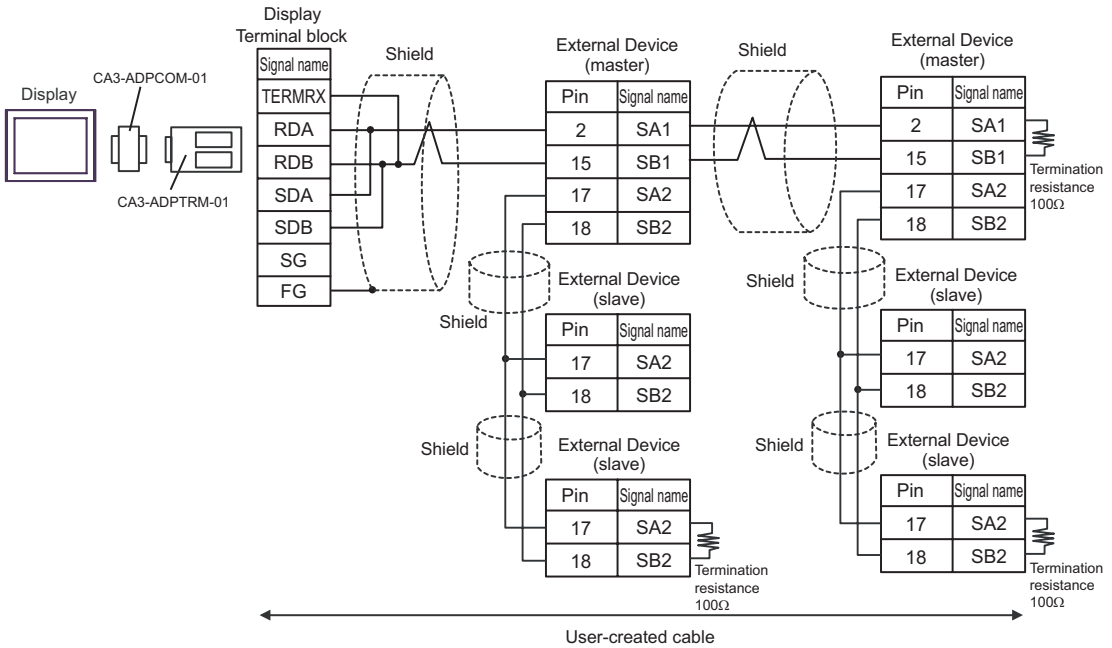
*9 Only the COM port which can communicate by RS-422/485 (2 wire) can be used.
 "■ IPC COM Port" (page 6)

5A)

- 1:1 connection



- 1:n connection

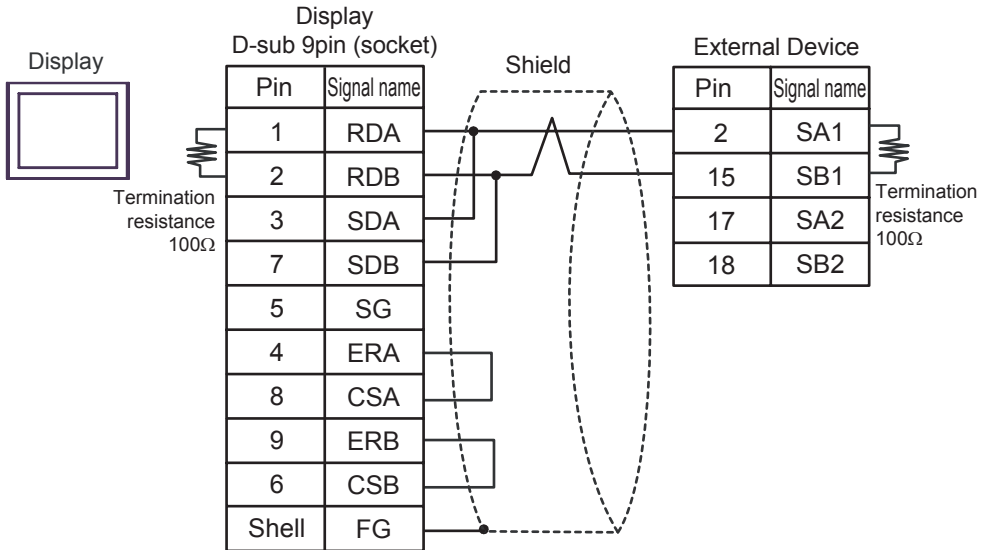


IMPORTANT

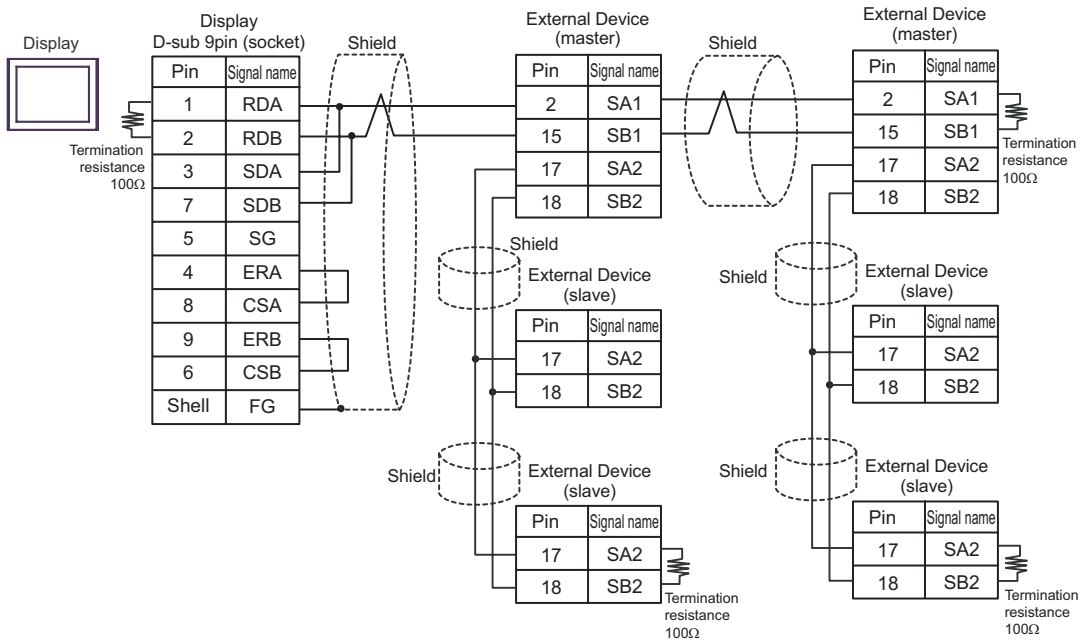
- Connect No. 17 and No. 18 between slaves as shown in the figure above.

5B)

- 1:1 connection



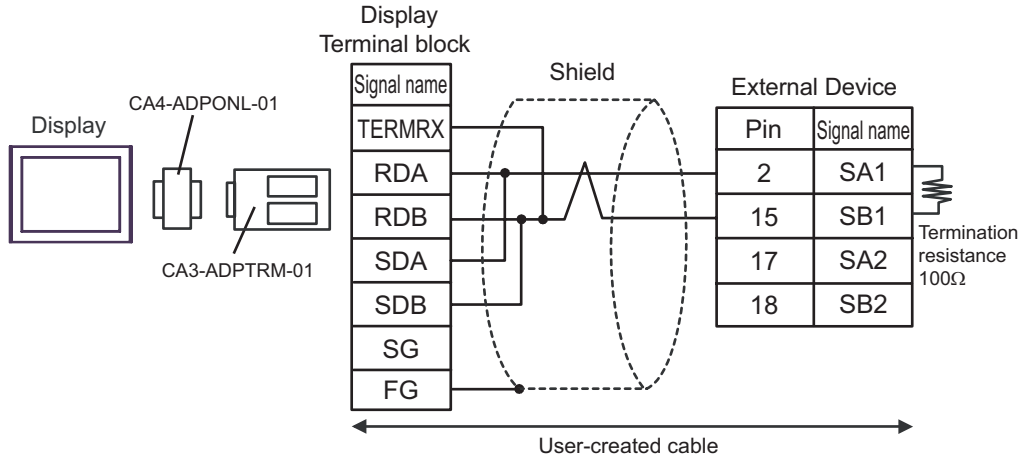
- 1:n connection



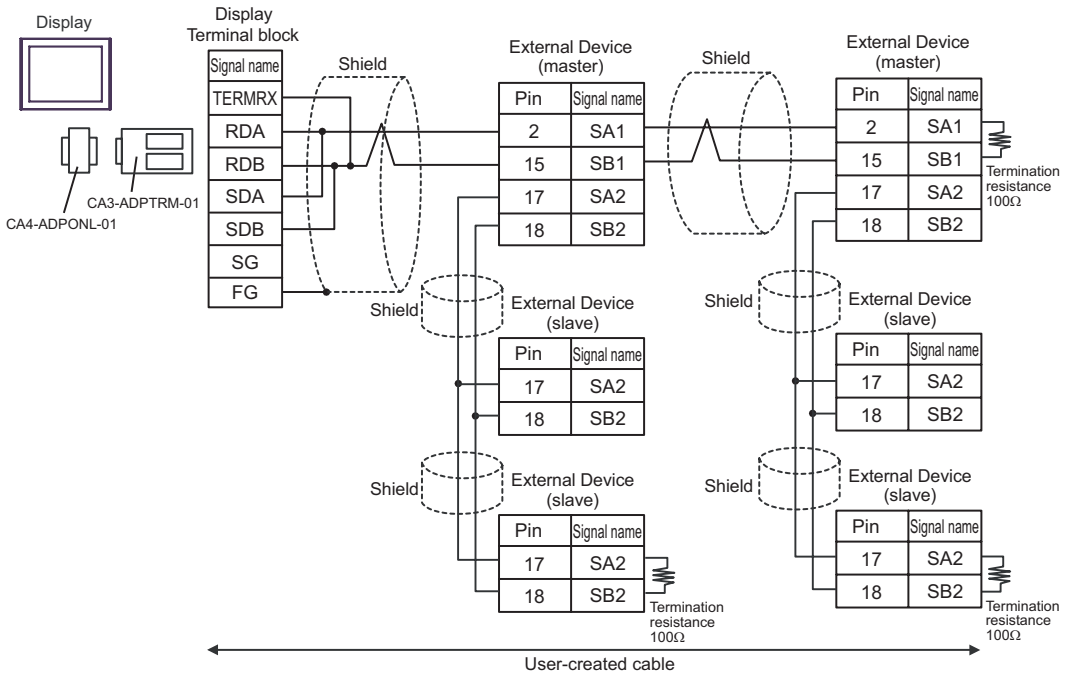
IMPORTANT • Connect No. 17 and No. 18 between slaves as shown in the figure above.

5C)

- 1:1 connection



- 1:n connection

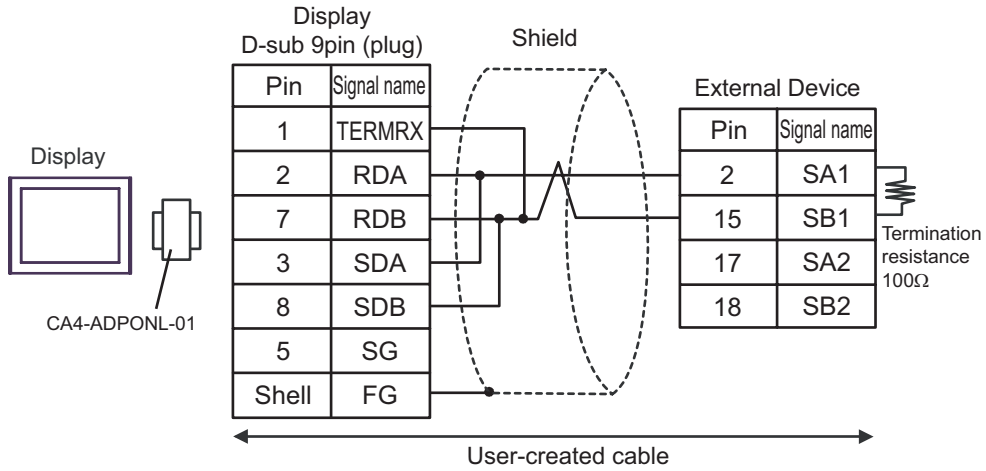


IMPORTANT

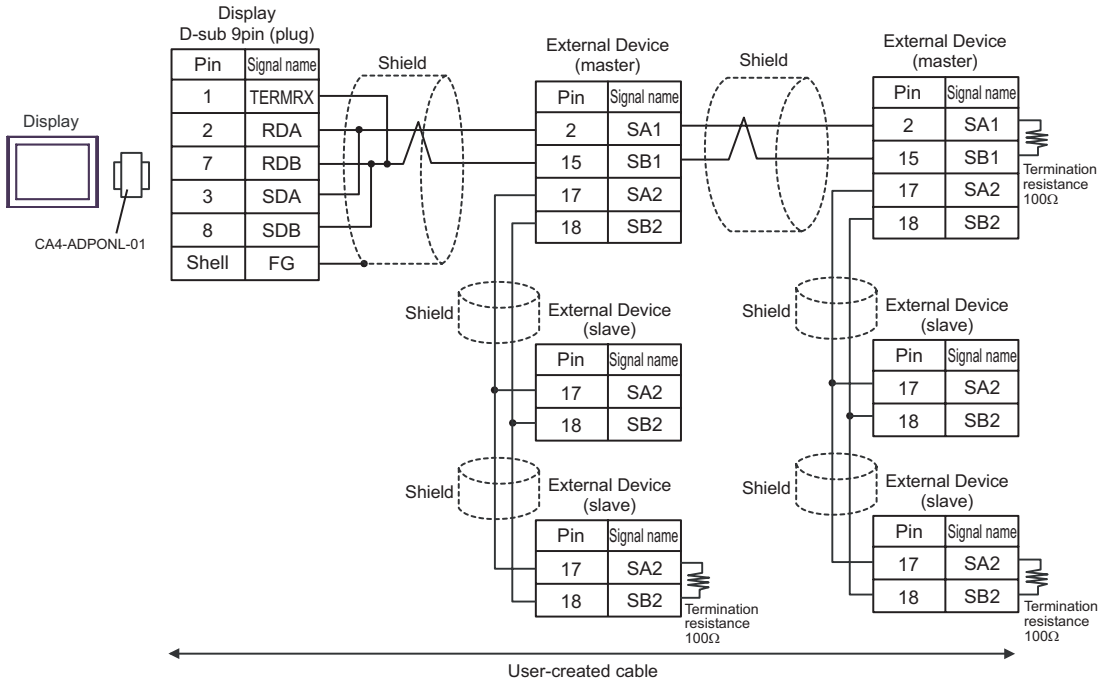
- Connect No. 17 and No. 18 between slaves as shown in the figure above.

5D)

- 1:1 connection



- 1:n connection

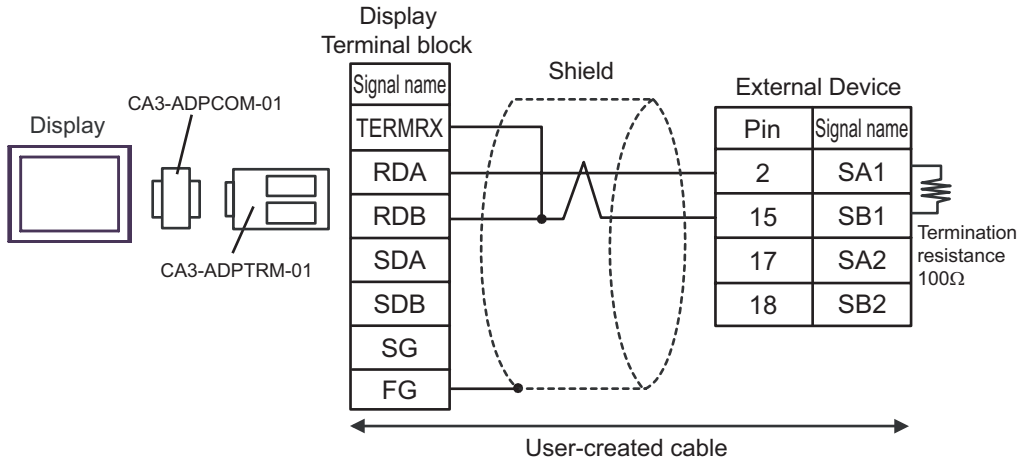


IMPORTANT

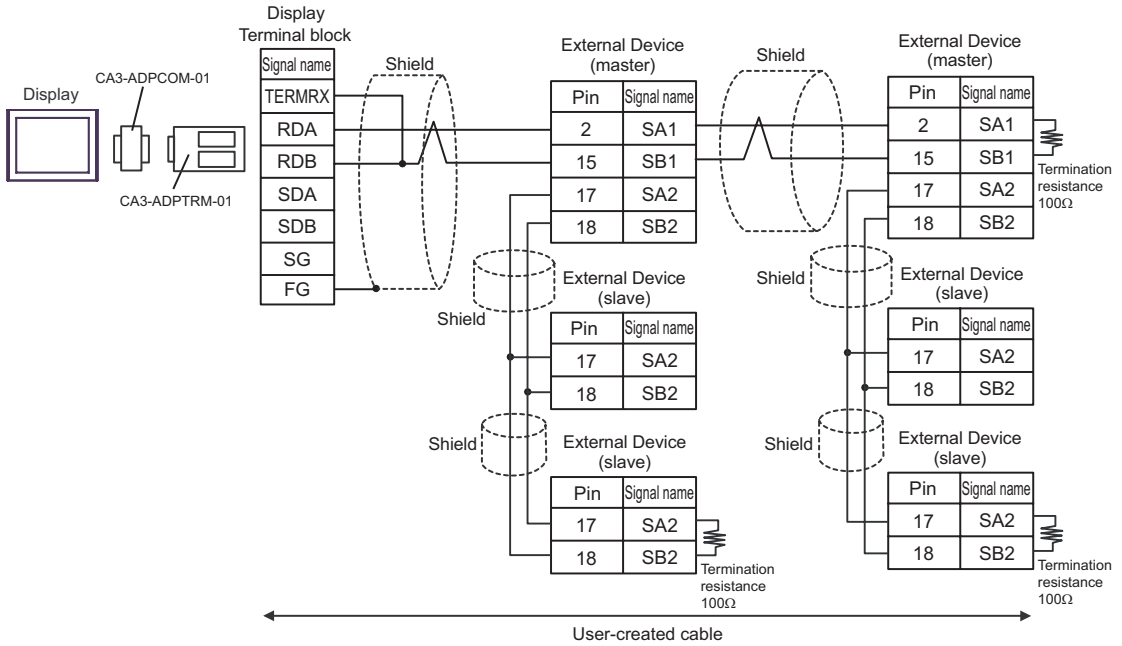
- Connect No. 17 and No. 18 between slaves as shown in the figure above.

5E)

- 1:1 connection



- 1:n connection

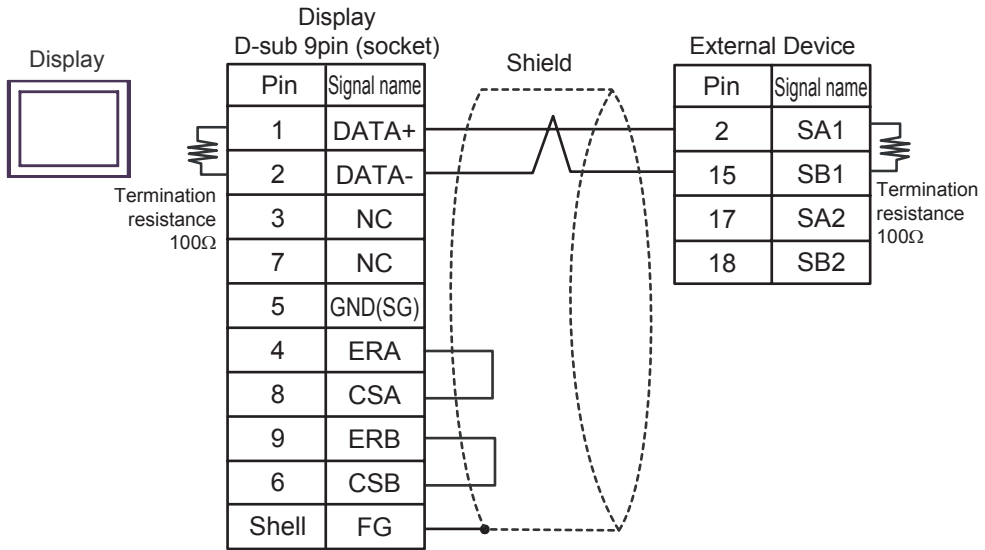


IMPORTANT

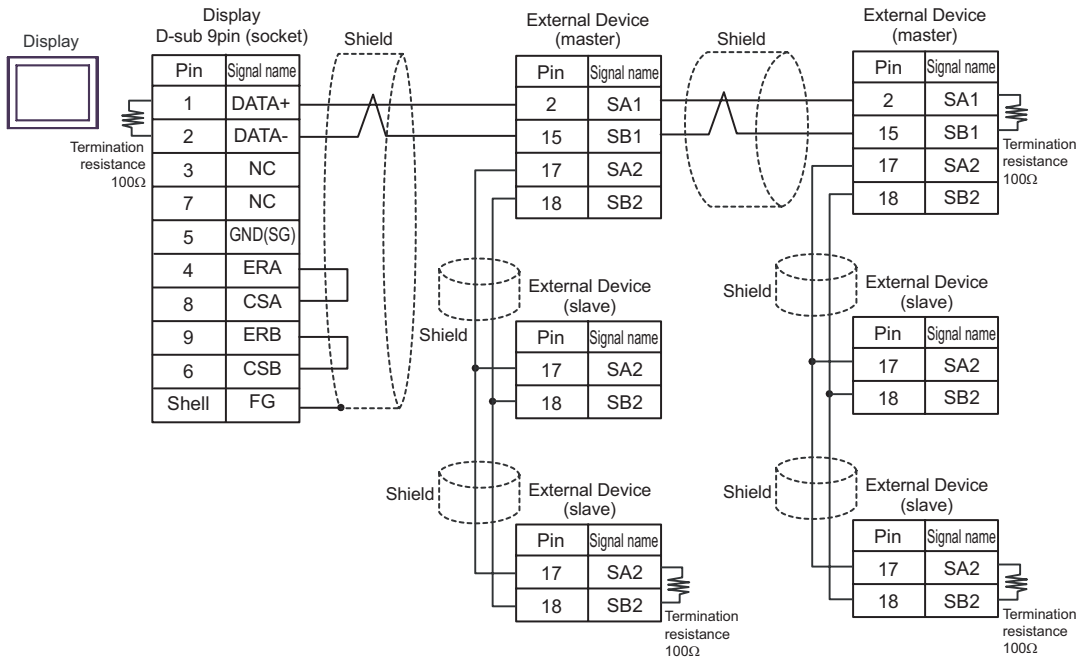
- Connect No. 17 and No. 18 between slaves as shown in the figure above.

5F)

- 1:1 connection



- 1:n connection

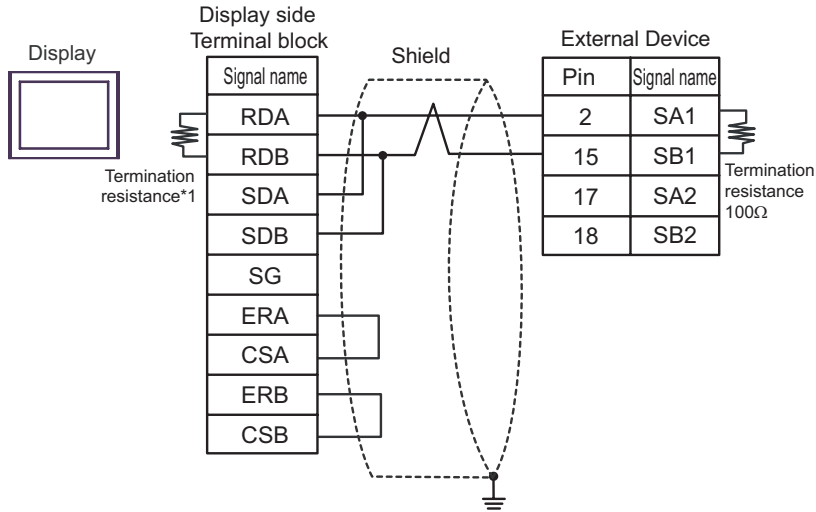


IMPORTANT

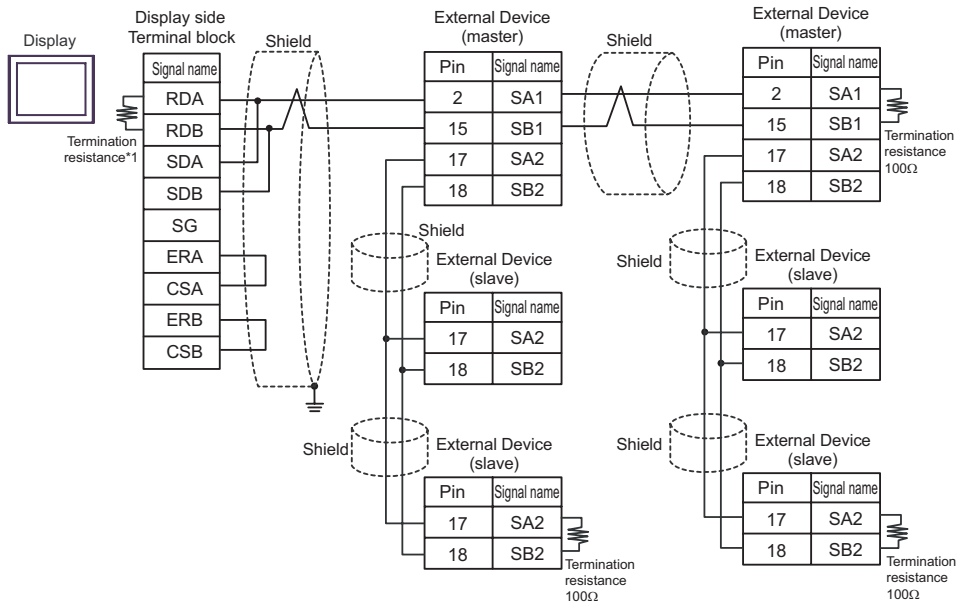
- Connect No. 17 and No. 18 between slaves as shown in the figure above.

5G)

- 1:1 connection



- 1:n connection



IMPORTANT

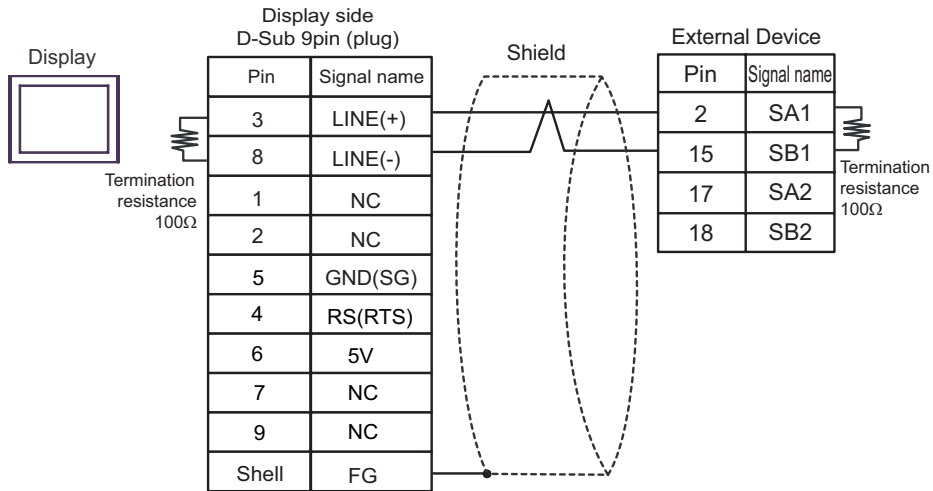
• Connect No. 17 and No. 18 between slaves as shown in the figure above.

- *1 The resistance in the Display is used as the termination resistance. Set the value of the DIP Switch on the rear of the Display as shown in the table below.

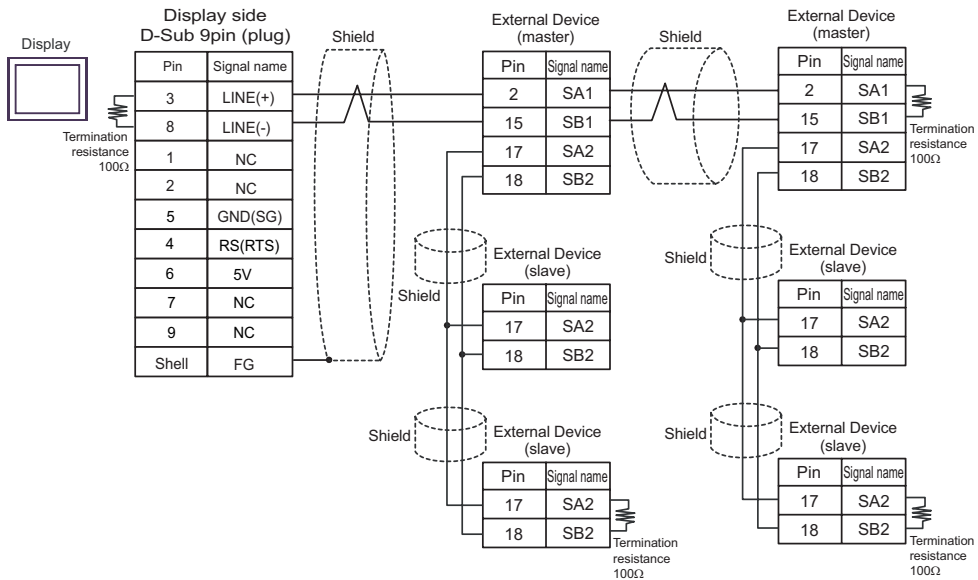
DIP Switch No.	Set Value
1	OFF
2	OFF
3	ON
4	ON

5H)

- 1:1 connection



- 1:n connection



IMPORTANT

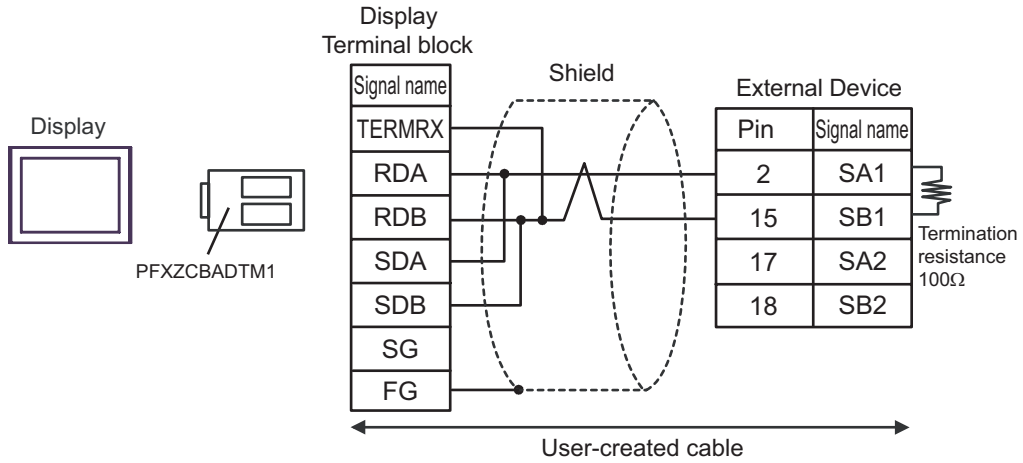
- Connect No. 17 and No. 18 between slaves as shown in the figure above.
- The 5V output (Pin #6) on the Display is the power for the Siemens AG's PROFIBUS connector. Do not use it for other devices.

NOTE

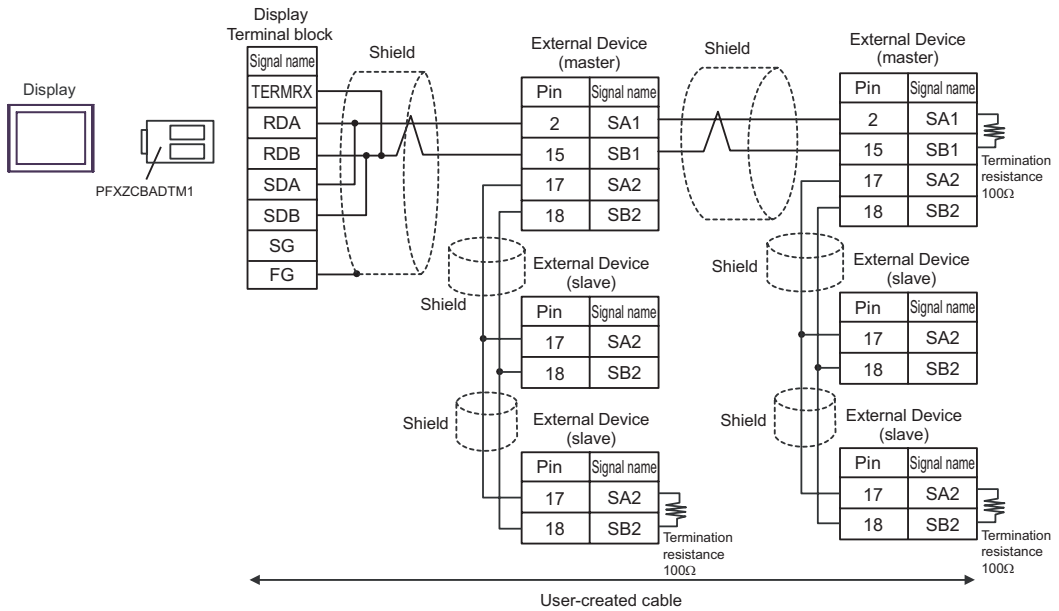
- In COM on the GP-4107, the SG and FG terminals are isolated.

5l)

- 1:1 connection



- 1:n connection

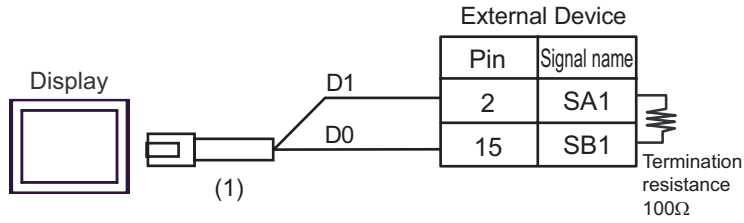


IMPORTANT

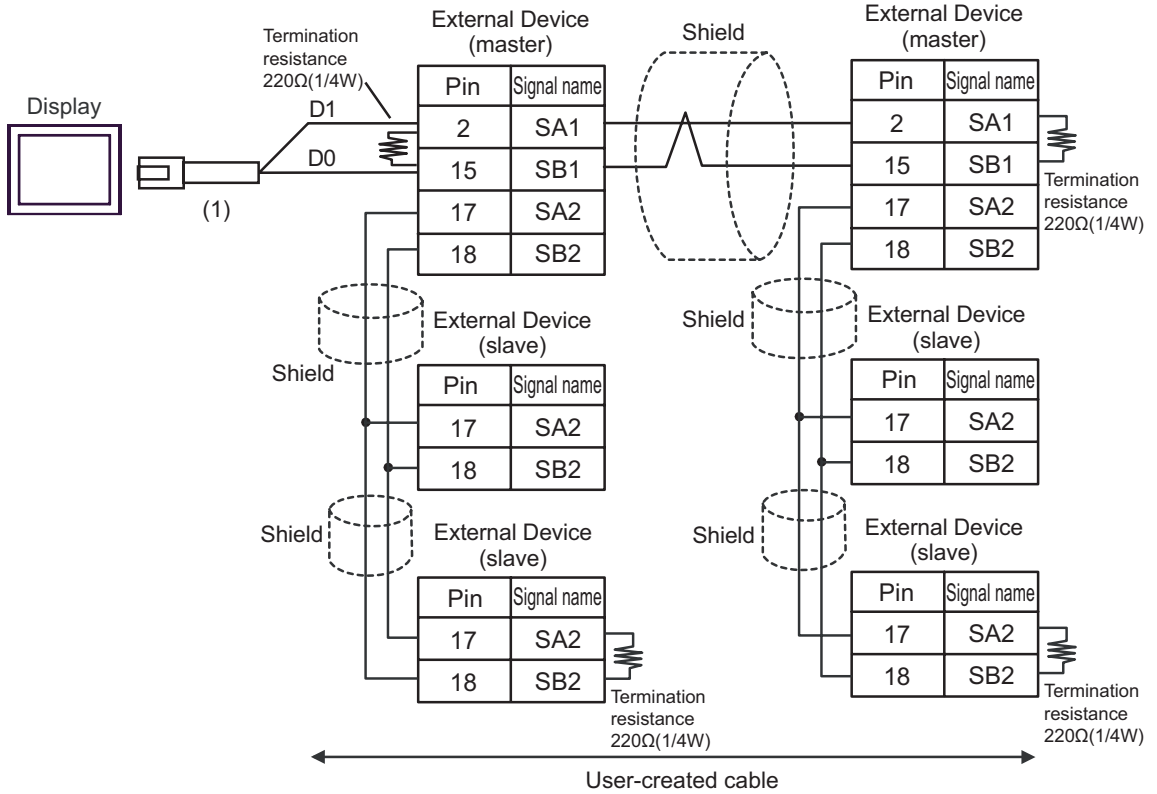
- Connect No. 17 and No. 18 between slaves as shown in the figure above.

5J)

- 1:1 connection



- 1:n connection



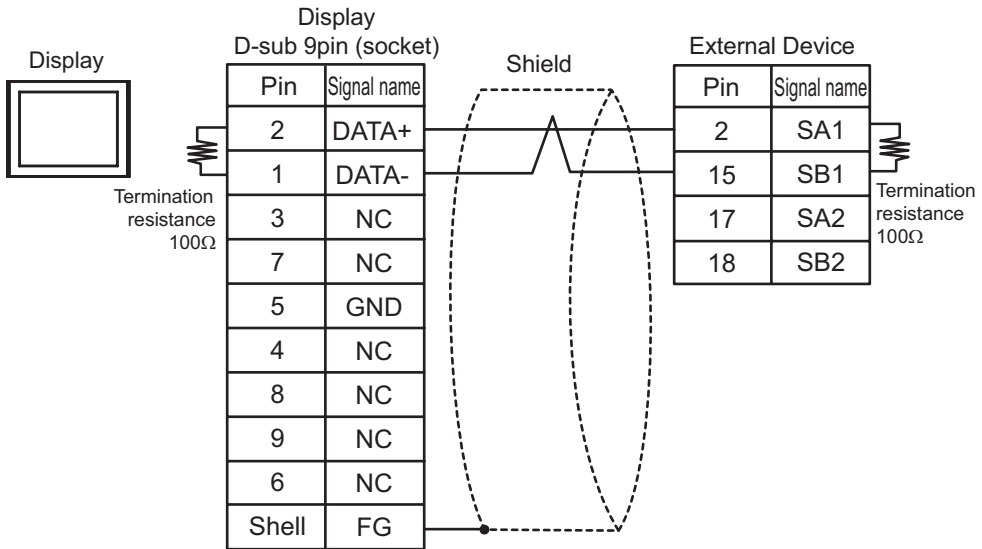
Number	Name	Notes
(1)	RJ45 RS-485 Cable (5m) by Pro-face PFXZLMCBJR81	

IMPORTANT

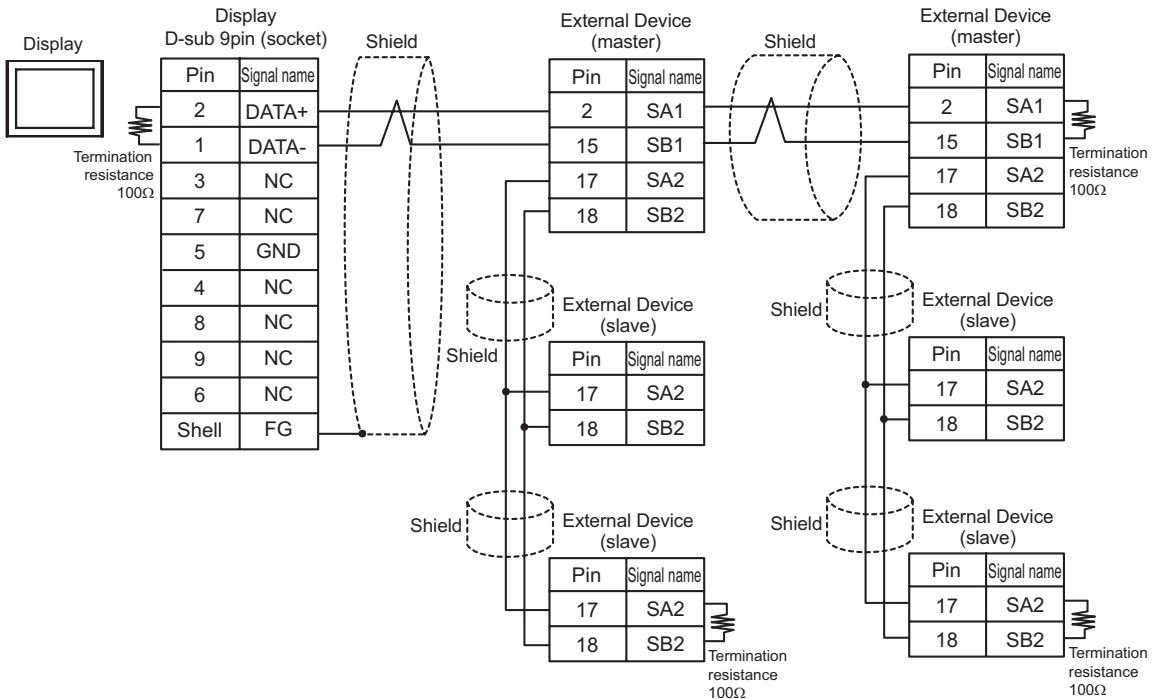
- Connect No. 17 and No. 18 between slaves as shown in the figure above.

5K)

- 1:1 connection



- 1:n connection



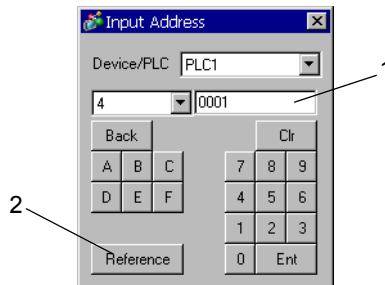
IMPORTANT

- Connect No. 17 and No. 18 between slaves as shown in the figure above.

6 Supported Device

Range of supported device address is shown in the table below. Please note that the actually supported range of the devices varies depending on the External Device to be used. Please check the actual range in the manual of your External Device.

Enter the External Device address in the dialog below.



- | | |
|--------------|---|
| 1. Address | Enter the address. |
| 2. Reference | Available parameter list is displayed.
Click the parameter to use and press “Select”, then the address is entered. |

There are some temperature controller data with decimal points.

On the Display, data with decimal points are treated as follow.

<When reading>

Read data from the temperature controller is integral number without decimal points.

e.g. When a value of temperature controller is 100.0:

Value of temperature controller: 100.0

Displayed value on the Display (setting is without decimal points): 1000

To display decimal points on the Data Display, set “Decimal Places” of “Display” tab.

For example, if the specification of temperature controller data is in the first decimal position, set 1 to “Decimal Places.”

e.g. When a value of temperature controller is 100.0:

Value of temperature controller: 100.0


Displayed value on the Display (setting is without decimal points): 1000

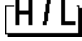
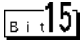


Displayed value on the Display (setting is the first position of decimal points): 100.0

<When writing>

When writing to the temperature controller, set integral number without decimal points.

6.1 DB1000 series


 This address can be specified as system data area.

Device	Bit Address	Word Address	32bits	Notes
Digital Setting Value	00101	-		
	00111			
Digital Input Data	10002 - 10124	-		*1
Analog Input Data	-	30101 - 30143		 *1
Analog Setting Value	-	40001 - 40596 ^{*2}		
Operational Status Setting	-	49056 - 49512		


*1 Write disable





*2 Write disable in 40151.

NOTE

- System area setting that can be used with controller is read area size for reading only. Please refer to the GP-Pro EX Reference Manual for read area size.
Cf. GP-Pro EX Reference Manual "LS Area (Direct Access Method Area)"
- Please refer to the precautions on manual notation for icons in the table.
 "Manual Symbols and Terminology"

6.2 DB2000 series


 This address can be specified as system data area.

Device	Bit Address	Word Address	32bits	Notes
Digital Setting Value	00101	-		
	00111			
Digital Input Data	10002 - 10124	-		*1
Analog Input Data	-	30101 - 30143		 *1
Analog Setting Value	-	40001 - 40650 ^{*2}		
Operational Status Setting	-	49056 - 49536		


*1 Write disable




*2 Write disable in 40151.

NOTE

- System area setting that can be used with controller is read area size for reading only. Please refer to the GP-Pro EX Reference Manual for read area size.
Cf. GP-Pro EX Reference Manual "LS Area (Direct Access Method Area)"
- Please refer to the precautions on manual notation for icons in the table.
 "Manual Symbols and Terminology"

6.3 KP1000 series


 This address can be specified as system data area.

Device	Bit Address	Word Address	32bits	Notes
Digital Setting Value	00101	-	H/L	
	00111			
Digital Input Data	10002 - 10124	-		*1
Analog Input Data	-	30101 - 30144		 *1
Analog Setting Value	-	40001 - 40650 ^{*2}		
Pattern Setting		49003 - 49534 ^{*3}		


- *1 Write disable
- *2 Write disable in 40151.
- *3 Write disable in 49040.




NOTE

- System area setting that can be used with controller is read area size for reading only. Please refer to the GP-Pro EX Reference Manual for read area size.
Cf. GP-Pro EX Reference Manual "LS Area (Direct Access Method Area)"
- Please refer to the precautions on manual notation for icons in the table.

 "Manual Symbols and Terminology"

6.4 KP2000 series


 This address can be specified as system data area.

Device	Bit Address	Word Address	32bits	Notes
Digital Setting Value	00101	-	H/L	
	00111			
Digital Input Data	10002 - 10124	-		*1
Analog Input Data	-	30101 - 30144		 *1
Analog Setting Value	-	40001 - 40650 ^{*2}		
Pattern Setting		49003 - 49536 ^{*3}		


- *1 Write disable
- *2 Write disable in 40151.
- *3 Write disable in 49040.

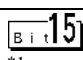
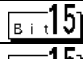
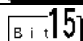
NOTE

- System area setting that can be used with controller is read area size for reading only. Please refer to the GP-Pro EX Reference Manual for read area size.
Cf. GP-Pro EX Reference Manual "LS Area (Direct Access Method Area)"
- Please refer to the precautions on manual notation for icons in the table.

 "Manual Symbols and Terminology"

6.5 KP3000 series


 This address can be specified as system data area.

Device	Bit Address	Word Address	32bits	Notes
Digital Input Data	10005	-	H/L	*1
Analog Input Data	-	30109 - 30144		 *1
Analog Setting Value	-	40008 - 40574 ^{*2}		
Pattern Setting		49003 - 49534 ^{*3}		


- *1 Write disable
- *2 Write disable in 40151.
- *3 Write disable in 49040.

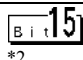
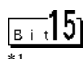
NOTE

- System area setting that can be used with controller is read area size for reading only. Please refer to the GP-Pro EX Reference Manual for read area size.
Cf. GP-Pro EX Reference Manual "LS Area (Direct Access Method Area)"
- Please refer to the precautions on manual notation for icons in the table.

 "Manual Symbols and Terminology"

6.6 LT230 series


 This address can be specified as system data area.

Device	Bit Address	Word Address	32bits	Notes
Digital Setting Value	00101	-	H/L	*1
Digital Input Data	10004 - 10120	-		*2
Analog Input Data	-	30101 - 30142		 *2
Analog Setting Value	-	40008 ^{*3}		 *1
		40114 - 40119		
		40201 - 40251		
		49501 - 49512		


- *1 When writing, key lock of External Device needs to be set to lock 4. When writing to other than lock 4, a communication error will be displayed.
- *2 Write disable
- *3 Write disable in 40008.

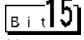
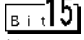
NOTE

- System area setting that can be used with controller is read area size for reading only. Please refer to the GP-Pro EX Reference Manual for read area size.
Cf. GP-Pro EX Reference Manual "LS Area (Direct Access Method Area)"
- Please refer to the precautions on manual notation for icons in the table.

 "Manual Symbols and Terminology"

6.7 LT300 series

 This address can be specified as system data area.

Device	Bit Address	Word Address	32bits	Notes
Digital Setting Value	00101	-	H/L	*1
Digital Input Data	10004 - 10122	-		*2
Analog Input Data	-	30101 - 30142		 *2
Analog Setting Value	-	40008 ^{*3}		 *1
		40114 - 40119		
		40201 - 40251		
		49501 - 49512		

*1 When writing, key lock of External Device needs to be set to lock 4. When writing to other than lock 4, a communication error will be displayed.

*2 Write disable


*3 Write disable in 40008.

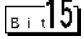

NOTE

- System area setting that can be used with controller is read area size for reading only. Please refer to the GP-Pro EX Reference Manual for read area size.
Cf. GP-Pro EX Reference Manual "LS Area (Direct Access Method Area)"
- Please refer to the precautions on manual notation for icons in the table.

 "Manual Symbols and Terminology"

6.8 LT400 series

 This address can be specified as system data area.

Device	Bit Address	Word Address	32bits	Notes
Digital Setting Value	00101 - 00109	-	H/L	*1
Digital Input Data	10002 - 10124	-		*2
Analog Input Data	-	30101 - 30142		 *2
Analog Setting Value	-	40001 - 40093		 *1
		40112 - 40166		
		40201 - 40388		
		49501 - 49512		

*1 When writing, key lock of External Device needs to be set to lock 4. When writing to other than lock 4, a communication error will be displayed.


*2 Write disable


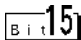
NOTE

- System area setting that can be used with controller is read area size for reading only. Please refer to the GP-Pro EX Reference Manual for read area size.
Cf. GP-Pro EX Reference Manual "LS Area (Direct Access Method Area)"
- Please refer to the precautions on manual notation for icons in the table.

 "Manual Symbols and Terminology"

6.9 LT830 series

 This address can be specified as system data area.

Device	Bit Address	Word Address	32bits	Notes
Digital Setting Value	00101	-	H/L	*1
Digital Input Data	10004 - 10120	-		*2
Analog Input Data	-	30101 - 30142		 *2
Analog Setting Value	-	40008 ^{*3}		 *1
		40114 - 40119		
		40201 - 40211		
		49501 - 49512		


*1 When writing, key lock of External Device needs to be set to lock 3. When writing to other than lock 3, a communication error will be displayed.

*2 Write disable

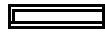
*3 Write disable in 40008.

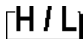
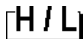
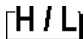
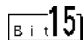
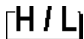
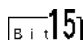
NOTE

- System area setting that can be used with controller is read area size for reading only. Please refer to the GP-Pro EX Reference Manual for read area size.
Cf. GP-Pro EX Reference Manual "LS Area (Direct Access Method Area)"
- Please refer to the precautions on manual notation for icons in the table.

 "Manual Symbols and Terminology"

6.10 JU series with temperature controller feature

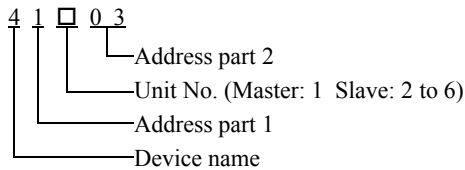
 This address can be specified as system data area.

Device	Bit Address	Word Address	32bits	Notes		
Digital Setting Value	00101 - 00106	-		*1		
	01102 - 01612 ^{*2}					
Digital Input Data	10002 - 10122	-			*3	
	11109 - 11614 ^{*2}					
Analog Input Data	-	30101 - 30142				 *3
		31101 - 31612 ^{*2}				
		39001 - 39080				
Analog Setting Value	-	40001 - 40384				 *1
		41102 - 41672 ^{*2}				
		48111 - 48618 ^{*2}				
		49501 - 49525				

*1 When writing, key lock of External Device needs to be set to lock 4. When writing to other than lock 4, a communication error will be displayed.

*2 Specify the address in the style below for Operation terminal function (01102 - 01612), Operation terminal operation part (11109 - 11614), Operation terminal measurement data (31101 - 31612), and Operation terminal parameter (41102 - 41672/48111 - 48618).


EX. Elevation (41□03)




*3 Write disable

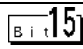
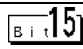
NOTE

- System area setting that can be used with controller is read area size for reading only. Please refer to the GP-Pro EX Reference Manual for read area size.
Cf. GP-Pro EX Reference Manual "LS Area (Direct Access Method Area)"
- Please refer to the precautions on manual notation for icons in the table.

 "Manual Symbols and Terminology"

6.11 JU series Single-phase


 This address can be specified as system data area.

Device	Bit Address	Word Address	32bits	Notes
Digital Setting Value	01001 - 01013	-	H / L	*1
Digital Input Data	11001 - 11015	-		*2
Analog Input Data	-	31101 - 31112		 *2
Analog Setting Value	-	41001 - 41013		 *1
		49501		

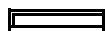
*1 When writing, key lock of External Device needs to be set to locked. When writing in unlocked status, a communication error will be displayed.

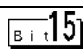
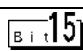
*2 Write disable

NOTE

- System area setting that can be used with controller is read area size for reading only. Please refer to the GP-Pro EX Reference Manual for read area size.
Cf. GP-Pro EX Reference Manual "LS Area (Direct Access Method Area)"
- Please refer to the precautions on manual notation for icons in the table.
 "Manual Symbols and Terminology"

6.12 JW series


 This address can be specified as system data area.

Device	Bit Address	Word Address	32bits	Notes
Digital Setting Value	01001 - 01014	-	H / L	*1
Digital Input Data	11001 - 11019	-		*2
Analog Input Data	-	31101 - 31182		 *2
Analog Setting Value	-	41001 - 41018		 *1
		49501		

*1 When writing, key lock of External Device needs to be set to locked. When writing in unlocked status, a communication error will be displayed.

*2 Write disable

NOTE

- System area setting that can be used with controller is read area size for reading only. Please refer to the GP-Pro EX Reference Manual for read area size.
Cf. GP-Pro EX Reference Manual "LS Area (Direct Access Method Area)"
- Please refer to the precautions on manual notation for icons in the table.
 "Manual Symbols and Terminology"

7 Device Code and Address Code

Use device code and address code when you select "Device Type & Address" for the address type in data displays.

Device	Device Name	Device Code (HEX)	Address Code
Analog Input Data	3	0001	Word Address
Analog Setting Value	4	0000	Word Address

8 Error Messages

Error messages are displayed on the screen of Display as follows: "No. : Device Name: Error Message (Error Occurrence Area)." Each description is shown below.

Item	Description
No.	Error No.
Device Name	Name of External Device where error occurs. Device name is a title of External Device set with GP-Pro EX. (Initial value [PLC1])
Error Message	Displays messages related to the error which occurs.
Error Occurrence Area	Displays IP address or device address of External Device where error occurs, or error codes received from External Device. <div style="border: 1px solid black; padding: 2px; margin: 5px 0;">NOTE</div> <ul style="list-style-type: none"> • IP address is displayed such as "IP address (Decimal): MAC address (Hex)." • Device address is displayed such as "Address: Device address." • Received error codes are displayed such as "Decimal [Hex]."

Display Examples of Error Messages

"RHAA035:PLC1: Error has been responded for device write command (Error Code: 2 [02H])"

NOTE

- Refer to your External Device manual for details on received error codes.
- Refer to "Display-related errors" in "Maintenance/Troubleshooting Manual" for details on the error messages common to the driver.

■ Error Codes Unique to External Device

Error codes unique to External Device are shown below.

Error Code	Description
18 (12H)	Cannot be set* ¹ <ul style="list-style-type: none"> • When key setting is not locked. • When trying to set an item that cannot be selected in the type.

*1 Causes for setting error depend on the External Device.
Please refer to the manual of the External Device for more details.