



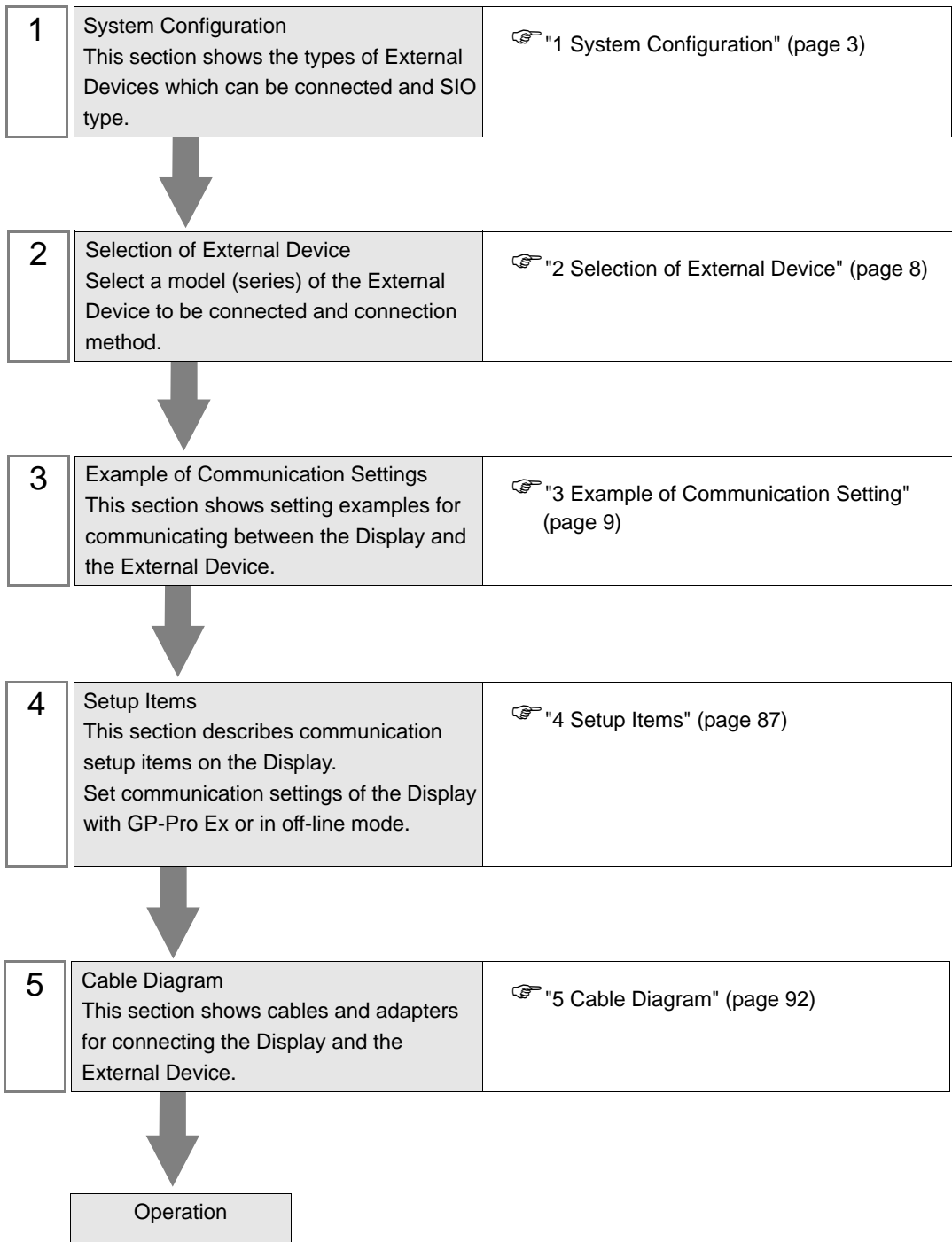
Temperature Controller Driver

1	System Configuration.....	3
2	Selection of External Device	8
3	Example of Communication Setting.....	9
4	Setup Items.....	87
5	Cable Diagram	92
6	Supported Device.....	139
7	Device Code and Address Code.....	194
8	Error Messages.....	199

Introduction

This manual describes how to connect the Display and the External Device (target PLC).

In this manual, the connection procedure will be described by following the below sections:



1 System Configuration

The system configuration in the case when the External Device of RKC INSTRUMENT INC. and the Display are connected is shown.

Series	CPU*1	Link I/F	SIO Type	Setting Example	Cable Diagram
CB	CB100□□□□-□□*□□-5□/□ CB400□□□□-□□*□□-5□/□ CB500□□□□-□□*□□-5□/□ CB700□□□□-□□*□□-5□/□ CB900□□□□-□□*□□-5□/□	Terminal Block on the controller.	RS422/485 (2 wire)	Setting Example 1 (page 9)	Cable Diagram 1 (page 94)
FB*2	FB900-□□-□*□□□1/□□-□□□□ FB400-□□-□*□□□1/□□-□□□□	Terminal Block on the controller. (Communication 1)	RS232C	Setting Example 2 (page 11)	Cable Diagram 2 (page 99)
	FB900-□□-□*□□□4/□□-□□□□ FB400-□□-□*□□□4/□□-□□□□	Terminal Block on the controller. (Communication 1)	RS422/485 (4 wire)	Setting Example 3 (page 13)	Cable Diagram 10 (page 133)
	FB900-□□-□*□□□5/□□-□□□□ FB400-□□-□*□□□5/□□-□□□□	Terminal Block on the controller. (Communication 1)	RS422/485 (2 wire)	Setting Example 4 (page 15)	Cable Diagram 1 (page 94)
	FB900-□□-□*□□□Y/□□-□□□□ FB400-□□-□*□□□Y/□□-□□□□	Terminal Block on the controller. (Communication 2)			
	FB900-□□-□*□□□X/□□-□□□□ FB400-□□-□*□□□X/□□-□□□□	Terminal Block on the controller. (Communication 1)			
	FB900-□□-□*□□□W/□□-□□□□ FB400-□□-□*□□□W/□□-□□□□	Terminal Block on the controller. (Communication 1)	RS232C	Setting Example 2 (page 11)	Cable Diagram 2 (page 99)
Terminal Block on the controller. (Communication 2)		RS422/485 (2 wire)	Setting Example 4 (page 15)	Cable Diagram 1 (page 94)	

Series	CPU*1	Link I/F	SIO Type	Setting Example	Cable Diagram	
HA*3	HA900-□□-□□-□*□□-□□1□-□/□/□ HA900-□□-□□-□*□□-□□□1-□/□/□ HA901-□□-□□-□*□□-□□1□-□/□/□ HA901-□□-□□-□*□□-□□□1-□/□/□ HA400-□□-□□-□*□□-□□1□-□/□/□ HA400-□□-□□-□*□□-□□□1-□/□/□ HA401-□□-□□-□*□□-□□1□-□/□/□ HA401-□□-□□-□*□□-□□□1-□/□/□ HA930-□□-□□-□*□□-□1-□/□ HA430-□□-□□-□*□□-□1-□/□	Terminal Block on the controller.	RS232C	Setting Example 5 (page 17)	Cable Diagram 2 (page 99)	
	HA900-□□-□□-□*□□-□□5□-□/□/□ HA900-□□-□□-□*□□-□□□5-□/□/□ HA901-□□-□□-□*□□-□□5□-□/□/□ HA901-□□-□□-□*□□-□□□5-□/□/□ HA400-□□-□□-□*□□-□□5□-□/□/□ HA400-□□-□□-□*□□-□□□5-□/□/□ HA401-□□-□□-□*□□-□□5□-□/□/□ HA401-□□-□□-□*□□-□□□5-□/□/□ HA930-□□-□□-□*□□-□5-□/□ HA430-□□-□□-□*□□-□5-□/□	Terminal Block on the controller.	RS422/485 (2 wire)	Setting Example 6 (page 19)	Cable Diagram 1 (page 94)	
	HA900-□□-□□-□*□□-□□□4-□/□/□ HA901-□□-□□-□*□□-□□□4-□/□/□ HA400-□□-□□-□*□□-□□□4-□/□/□ HA401-□□-□□-□*□□-□□□4-□/□/□ HA930-□□-□□-□*□□-□4-□/□ HA430-□□-□□-□*□□-□4-□/□	Terminal Block on the controller.	RS422/485 (4 wire)*4	Setting Example 7 (page 21)	Cable Diagram 10 (page 133)	
	MA900*3*5	MA900-4□□□□-□□-□*□□□-□5/□ MA901-8□□□□-□□-□*□□□-□5/□	Terminal Block on the controller.	RS422/485 (2 wire)	Setting Example 8 (page 23)	Cable Diagram 1 (page 94)
		MA900-4□□□□-□□-□*□□□-□4/□ MA901-8□□□□-□□-□*□□□-□4/□	Terminal Block on the controller.	RS422/485 (4 wire)	Setting Example 9 (page 25)	Cable Diagram 10 (page 133)
		MA900-4□□□□-□□-□*□□□-□1/□ MA901-8□□□□-□□-□*□□□-□1/□	Terminal Block on the controller.	RS232C	Setting Example 10 (page 27)	Cable Diagram 2 (page 99)
	SRV	V-TIO-A-□□□□-□□*□□□-□□-□-□ V-TIO-C-□□□□-□□*□□□-□□-□-□	Terminal Block on the controller.	RS422/485 (2 wire)	Setting Example 14 (page 35)	Cable Diagram 1 (page 94)
	SRX	X-TIO-A-□□-□□*□□	Terminal Block on the controller.	RS422/485 (2 wire)	Setting Example 15 (page 37)	Cable Diagram 1 (page 94)
	SA100	SA100□□□□-□□-□*□□-5□/□□	Terminal Block on the controller.	RS422/485 (2 wire)	Setting Example 16 (page 39)	Cable Diagram 1 (page 94)
SA200	SA200□□□□-□□-□*□□-5□/□/□□	Terminal Block on the controller.	RS422/485 (2 wire)	Setting Example 17 (page 41)	Cable Diagram 1 (page 94)	

Series	CPU ^{*1}	Link I/F	SIO Type	Setting Example	Cable Diagram
SR Mini HG (H-PCP-A/B)	H-PCP-□-□1N-□*□□	Modular connector 1 on the controller.	RS232C	Setting Example 38 (page 83)	Cable Diagram 11 (page 137)
	H-PCP-□-□4N-□*□□	Modular connector on the controller.	RS422/485 (4 wire)	Setting Example 39 (page 85)	Cable Diagram 8 (page 125)
SR Mini HG (H-PCP-J)	H-PCP-J-□4□-D*□□	COM.PORT1 and COM.PORT2 on the controller.	RS422/485 (4 wire)	Setting Example 20 (page 47)	Cable Diagram 4 (page 103)
	H-PCP-J-□5□-D*□□		RS422/485 (2 wire)	Setting Example 21 (page 49)	Cable Diagram 5 (page 107)
	H-PCP-J-□□1-D*□□	COM.PORT3 on the controller.	RS232C	Setting Example 22 (page 51)	Cable Diagram 12 (page 138)
	H-PCP-J-□□4-D*□□		RS422/485 (4 wire)	Setting Example 20 (page 47)	Cable Diagram 6 (page 114)
	H-PCP-J-□□5-D*□□		RS422/485 (2 wire)	Setting Example 21 (page 49)	Cable Diagram 7 (page 118)
REX-F9000	F9000-□□□-□*□□/□	Terminal Block on the controller.	RS422/485 (2 wire)	Setting Example 13 (page 33)	Cable Diagram 1 (page 94)
REX-F	F400□□□-□□*□□-□□□-1□ F700□□□-□□*□□-□□□-1□ F900□□□-□□*□□-□□□-1□	Terminal Block on the controller.	RS232C	Setting Example 23 (page 53)	Cable Diagram 2 (page 99)
	F400□□□-□□*□□-□□□-4□ F700□□□-□□*□□-□□□-4□ F900□□□-□□*□□-□□□-4□	Terminal Block on the controller.	RS422/485 (4 wire)	Setting Example 24 (page 55)	Cable Diagram 10 (page 133)
	F400□□□-□□*□□-□□□-5□ F700□□□-□□*□□-□□□-5□ F900□□□-□□*□□-□□□-5□	Terminal Block on the controller.	RS422/485 (2 wire)	Setting Example 25 (page 57)	Cable Diagram 1 (page 94)
REX-D	D400□-□*□□-□-4 D700□-□*□□-□-4 D900□-□*□□-□-4	Terminal Block on the controller.	RS422/485 (4 wire)	Setting Example 18 (page 43)	Cable Diagram 3 (page 100)
	D100□-□□*□□-□□-5□ D400□-□*□□-□-5 D700□-□*□□-□-5 D900□-□*□□-□-5	Terminal Block on the controller.	RS422/485 (2 wire)	Setting Example 19 (page 45)	Cable Diagram 1 (page 94)

Series	CPU*1	Link I/F	SIO Type	Setting Example	Cable Diagram
REX-G9	G9□□□□-□*□□□□-□□-1/A	Terminal Block on the controller.	RS232C	Setting Example 26 (page 59)	Cable Diagram 2 (page 99)
	G9□□□□-□*□□□□-□□-4/A	Terminal Block on the controller.	RS422/485 (4 wire)	Setting Example 27 (page 61)	Cable Diagram 10 (page 133)
	G9□□□□-□*□□□□-□□-2/A	Terminal Block on the controller.	RS422/485 (2 wire)	Setting Example 28 (page 63)	Cable Diagram 9 (page 128)
REX-P300	P300□□□□-□□□□*D-□□□□□-1	Terminal Block on the controller.	RS232C	Setting Example 29 (page 65)	Cable Diagram 2 (page 99)
	P300□□□□-□□□□*D-□□□□□-4	Terminal Block on the controller.	RS422/485 (4 wire)	Setting Example 30 (page 67)	Cable Diagram 3 (page 100)
	P300□□□□-□□□□*D-□□□□□-5	Terminal Block on the controller.	RS422/485 (2 wire)	Setting Example 31 (page 69)	Cable Diagram 1 (page 94)
REX-P250	P250□□□□-□*□□□□-1	Terminal Block on the controller.	RS232C	Setting Example 32 (page 71)	Cable Diagram 2 (page 99)
	P250□□□□-□*□□□□-2	Terminal Block on the controller.	RS422/485 (4 wire)	Setting Example 33 (page 73)	Cable Diagram 9 (page 128)
REX-AD	AD410□□□□*□□□□-4/CE	Terminal Block on the controller.	RS422/485 (4 wire)	Setting Example 34 (page 75)	Cable Diagram 3 (page 100)
	AD410□□□□*□□□□-5/CE	Terminal Block on the controller.	RS422/485 (2 wire)	Setting Example 35 (page 77)	Cable Diagram 1 (page 94)
REX-PG	PG410□□□□*□□□□-□4	Terminal Block on the controller.	RS422/485 (4 wire)	Setting Example 36 (page 79)	Cable Diagram 3 (page 100)
	PG410□□□□*□□□□-□5	Terminal Block on the controller.	RS422/485 (2 wire)	Setting Example 37 (page 81)	Cable Diagram 1 (page 94)
AE500	AE500□□□□-□*□□□□□-5□/□	Terminal Block on the controller.	RS422/485 (2 wire)	Setting Example 11 (page 29)	Cable Diagram 1 (page 94)
LE100	LE100-□□□□*□5□□□□-□□	Terminal Block on the controller.	RS422/485 (2 wire)	Setting Example 12 (page 31)	Cable Diagram 1 (page 94)

*1 The mode data "□" will vary depending on the type of option.

- *2 There are two communication port: Communication 1 and Communication 2. Communication 1 is used for host communication. Communication 2 is used for intercontroller communication, but can be also used for host communication. When Communication 2 is used for host communication, it is necessary to change the protocol of Communication 2 (RKC communication is set).
- *3 No memory area number is specified, "Control area" is used as default.
- *4 Only Communication 2 supports RS-422 connection.
- *5 Only support Single mode, Multi-point mode hasn't been supported.

2 Selection of External Device

Select the External Device to be connected to the Display.

Setup Items	Setup Description
Maker	Select the maker of the External Device to be connected. Select "RKC INSTRUMENT INC.".
Driver	Select a model (series) of the External Device to be connected and connection method. Select "Temperature Controller". Check the External Device which can be connected in "Temperature Controller" in system configuration. ☞ "1 System Configuration" (page 3)
Use System Area	Not use at this driver.
Port	Select the Display port to be connected to the External Device.

3 Example of Communication Setting

Examples of communication settings of the Display and the External Device, recommended by Pro-face, are shown.

3.1 Setting Example 1

■ Settings of GP-Pro EX

◆ Communication Settings

To display the setting screen, select [Device/PLC Settings] from [System setting window] in workspace.

Device/PLC 1

Summary [Change Device/PLC](#)

Maker Driver Port

Text Data Mode [Change](#)

Communication Settings

SID Type RS232C RS422/485(2wire) RS422/485(4wire)

Speed

Data Length 7 8

Parity NONE EVEN ODD

Stop Bit 1 2

Flow Control NONE ER(DTR/CTS) XON/XOFF

Timeout (sec)

Retry

Wait To Send (ms)

RI / VCC RI VCC

In the case of RS232C, you can select the 9th pin to RI (Input) or VCC (5V Power Supply). If you use the Digital's RS232C Isolation Unit, please select it to VCC.


[Default](#)

Device-Specific Settings

Allowable No. of Device/PLCs 16 Unit(s)

No.	Device Name	Settings
1	PLC1	Series=CB,Device Address=0

◆ Device Setting

To display the setting screen, click  ([Setting]) of External Device you want to set from [Device-Specific Settings] of [Device/PLC Settings].

Individual Device Settings

PLC1

Series

Device Address

[Default](#)

[OK \(O\)](#) [Cancel](#)

■ Settings of External Device

Communication setting of the external device is set with the SET, Shift, UP and Down keys located on the front face of the temperature controller.

Please refer to the temperature controller manual for details.

◆ Procedure

1. While depressing the SET key, press the Shift key to change from PV/SV display mode to communication setting mode.
2. Press the SET key and select parameters.
3. Press UP/Down keys to change the setting.
4. While depressing the SET key, press Shift key to change from communication setting mode to PV/SV display mode.
5. Turn off power to the temperature controller and turn on again to set the setting.

◆ Setting value

Add	0
bPS	2
bIT	0

NOTE

- Parameters to be set differ per temperature controller. Please refer to the temperature controller manual for details.

3.2 Setting Example 2

■ Settings of GP-Pro EX

◆ Communication Settings

To display the setting screen, select [Device/PLC Settings] from [System setting window] in workspace.

Device/PLC 1

Summary [Change Device/PLC](#)

Maker Driver Port

Text Data Mode [Change](#)

Communication Settings

RS232C
 RS422/485(2wire)
 RS422/485(4wire)

Speed

Data Length 7 8

Parity NONE EVEN ODD

Stop Bit 1 2

Flow Control NONE ER(DTR/CTS) XON/XOFF

Timeout (sec)

Retry

Wait To Send (ms)

RI / VCC
 VCC


In the case of RS232C, you can select the 9th pin to RI (Input) or VCC (5V Power Supply). If you use the Digital's RS232C Isolation Unit, please select it to VCC.

Device-Specific Settings

Allowable No. of Device/PLCs: 16 Unit(s)

No.	Device Name	Settings
1	PLC1	Series=FB, Device Address=0

◆ Device Setting

To display the setting screen, click  ([Setting]) of External Device you want to set from [Device-Specific Settings] of [Device/PLC Settings].

Individual Device Settings

PLC1

Series

Device Address

■ Settings of External Device

Communication setting of the external device is set with the SET, Shift, UP and Down keys located on the front face of the temperature controller.

Please refer to the temperature controller manual for details.

◆ Procedure

1. While depressing the SET key, press the Shift key and hold until display mode changes from PV/SV display mode to engineering mode.
2. Press the Up key several times to set the F60, and press the SET key.
3. Set 0 (zero) to CMP1.
4. While depressing the SET key, press the Shift key to change from engineering mode to PV/SV display mode.
5. While depressing the SET key, press the Shift key to change from PV/SV display mode to setup setting mode.
6. Press the SET key several times to select the parameter.
7. Press Up/Down keys to change the setting.
8. While depressing the SET key, press the Shift key to change from setup setting mode to PV/SV display mode.
9. Turn off power of the temperature controller and turn on again to set the setting.

◆ Setting value

Add1	0
bPS1	19.2
bIT1	8n1

NOTE

- Parameters to be set differ per temperature controller. Please refer to the temperature controller manual for details.


3.3 Setting Example 3

■ Settings of GP-Pro EX

◆ Communication Settings

To display the setting screen, select [Device/PLC Settings] from [System setting window] in workspace.

◆ Device Setting

To display the setting screen, click  ([Setting]) of External Device you want to set from [Device-Specific Settings] of [Device/PLC Settings].

■ Settings of External Device

Communication setting of the external device is set with the SET, Shift, UP and Down keys located on the front face of the temperature controller.

Please refer to the temperature controller manual for details.

◆ Procedure

1. While depressing the SET key, press the Shift key and hold until display mode changes from PV/SV display mode to engineering mode.
2. Press the Up key several times to set the F60, and press the SET key.
3. Set 0 (zero) to CMP1.
4. While depressing the SET key, press the Shift key to change from engineering mode to PV/SV display mode.
5. While depressing the SET key, press the Shift key to change from PV/SV display mode to setup setting mode.
6. Press the SET key several times to select the parameter.
7. Press Up/Down keys to change the setting.
8. While depressing the SET key, press the Shift key to change from setup setting mode to PV/SV display mode.
9. Turn off power of the temperature controller and turn on again to set the setting.

◆ Setting value

Add1	0
bPS1	19.2
bIT1	8n1

NOTE

- Parameters to be set differ per temperature controller. Please refer to the temperature controller manual for details.

3.4 Setting Example 4

■ Settings of GP-Pro EX

◆ Communication Settings

To display the setting screen, select [Device/PLC Settings] from [System setting window] in workspace.

Device/PLC 1

Summary [Change Device/PLC](#)

Maker Driver Port

Text Data Mode [Change](#)

Communication Settings

SIO Type RS232C RS422/485(2wire) RS422/485(4wire)

Speed

Data Length 7 8

Parity NONE EVEN ODD

Stop Bit 1 2

Flow Control NONE ER(DTR/DT&S) XON/XOFF

Timeout (sec)

Retry

Wait To Send (ms)

RI / VCC RI VCC


In the case of RS232C, you can select the 9th pin to RI (Input) or VCC (5V Power Supply). If you use the Digital's RS232C Isolation Unit, please select it to VCC.

Device-Specific Settings

Allowable No. of Device/PLCs: 16 Unit(s)

No.	Device Name	Settings
1	PLC1	Series=FB, Device Address=0

◆ Device Setting

To display the setting screen, click  ([Setting]) of External Device you want to set from [Device-Specific Settings] of [Device/PLC Settings].

Individual Device Settings

PLC1

Series

Device Address

■ Settings of External Device

Communication setting of the external device is set with the SET, Shift, UP and Down keys located on the front face of the temperature controller.

Please refer to the temperature controller manual for details.

◆ Procedure

1. While depressing the SET key, press the Shift key and hold until display mode changes from PV/SV display mode to engineering mode.
2. Press the Up key several times to set the F60, and press the SET key.
3. Set 0 (zero) to CMP1.
4. While depressing the SET key, press the Shift key to change from engineering mode to PV/SV display mode.
5. While depressing the SET key, press the Shift key to change from PV/SV display mode to setup setting mode.
6. Press the SET key several times to select the parameter.
7. Press Up/Down keys to change the setting.
8. While depressing the SET key, press the Shift key to change from setup setting mode to PV/SV display mode.
9. Turn off power of the temperature controller and turn on again to set the setting.

◆ Setting value

Add1	0
bPS1	19.2
bIT1	8n1

NOTE

- Parameters to be set differ per temperature controller. Please refer to the temperature controller manual for details.

3.5 Setting Example 5

■ Settings of GP-Pro EX

◆ Communication Settings

To display the setting screen, select [Device/PLC Settings] from [System setting window] in workspace.

Device/PLC 1

Summary [Change Device/PLC](#)

Maker: RKC INSTRUMENT INC. Driver: Temperature Controller Port: COM1

Text Data Mode: 2 [Change](#)

Communication Settings

SID Type: RS232C RS422/485(2wire) RS422/485(4wire)

Speed: 9600

Data Length: 7 8

Parity: NONE EVEN ODD

Stop Bit: 1 2

Flow Control: NONE ER(DTR/CTS) XON/XOFF

Timeout: 3 (sec)

Retry: 2

Wait To Send: 0 (ms)

RI / VCC: RI VCC

In the case of RS232C, you can select the 9th pin to RI (Input) or VCC (5V Power Supply). If you use the Digital's RS232C Isolation Unit, please select it to VCC.


Default

Device-Specific Settings

Allowable No. of Device/PLCs: 16 Unit(s)

No.	Device Name	Settings
1	PLC1	Series=HA, Device Address=0

◆ Device Setting

To display the setting screen, click  ([Setting]) of External Device you want to set from [Device-Specific Settings] of [Device/PLC Settings].

Individual Device Settings

PLC1

Series: HA

Device Address: 0

Default

OK (O) Cancel

■ Settings of External Device

Communication setting of the external device is set with the SET, Shift, UP and Down keys located on the front face of the temperature controller.

Please refer to the temperature controller manual for details.

◆ Procedure

1. While depressing the SET key, press the Shift key to change from SV setting & monitor mode to setup setting mode.
2. Press the SET key and select parameters.
3. Press UP/Down keys to change the setting.
4. While depressing the SET key, press Shift key to change from setup setting mode to SV setting & monitor mode.
5. Turn off power to the temperature controller and turn on again to set the setting.

◆ Setting value

Add1	0
bPS1	9.6
bIT1	8n1

NOTE

- Parameters to be set differ per temperature controller. Please refer to the temperature controller manual for details.


3.6 Setting Example 6

■ Settings of GP-Pro EX

◆ Communication Settings

To display the setting screen, select [Device/PLC Settings] from [System setting window] in workspace.

◆ Device Setting

To display the setting screen, click  ([Setting]) of External Device you want to set from [Device-Specific Settings] of [Device/PLC Settings].

■ Settings of External Device

Communication setting of the external device is set with the SET, Shift, UP and Down keys located on the front face of the temperature controller.

Please refer to the temperature controller manual for details.

◆ Procedure

1. While depressing the SET key, press the Shift key to change from SV setting & monitor mode to setup setting mode.
2. Press the SET key and select parameters.
3. Press UP/Down keys to change the setting.
4. While depressing the SET key, press Shift key to change from setup setting mode to SV setting & monitor mode.
5. Turn off power to the temperature controller and turn on again to set the setting.

◆ Setting value

Add1	0
bPS1	9.6
bIT1	8n1

NOTE

- Parameters to be set differ per temperature controller. Please refer to the temperature controller manual for details.


3.7 Setting Example 7

■ Settings of GP-Pro EX

◆ Communication Settings

To display the setting screen, select [Device/PLC Settings] from [System setting window] in workspace.

◆ Device Setting

To display the setting screen, click  ([Setting]) of External Device you want to set from [Device-Specific Settings] of [Device/PLC Settings].

■ Settings of External Device

Communication setting of the external device is set with the SET, Shift, UP and Down keys located on the front face of the temperature controller.

Please refer to the temperature controller manual for details.

◆ Procedure

1. While depressing the SET key, press the Shift key to change from SV setting & monitor mode to setup setting mode.
2. Press the SET key and select parameters.
3. Press UP/Down keys to change the setting.
4. While depressing the SET key, press Shift key to change from setup setting mode to SV setting & monitor mode.
5. Turn off power to the temperature controller and turn on again to set the setting.

◆ Setting value

Add1	0
bPS1	9.6
bIT1	8n1

NOTE

- Parameters to be set differ per temperature controller. Please refer to the temperature controller manual for details.

3.8 Setting Example 8

■ Settings of GP-Pro EX

◆ Communication Settings

To display the setting screen, select [Device/PLC Settings] from [System setting window] in workspace.

Device/PLC 1

Summary [Change Device/PLC](#)

Maker: Driver: Port:

Text Data Mode: [Change](#)

Communication Settings

SID Type: RS232C RS422/485(2wire) RS422/485(4wire)

Speed:

Data Length: 7 8

Parity: NONE EVEN ODD

Stop Bit: 1 2

Flow Control: NONE ER(DTR/CTS) XON/XOFF

Timeout: (sec)

Retry:

Wait To Send: (ms)

RI / VCC: RI VCC

In the case of RS232C, you can select the 9th pin to RI (Input) or VCC (BV Power Supply). If you use the Digital's RS232C Isolation Unit, please select it to VCC.


Default

Device-Specific Settings

Allowable No. of Device/PLCs: 16 Unit(s)

No.	Device Name	Settings
1	PLC1	Series=MA, Device Address=0

◆ Device Setting

To display the setting screen, click  ([Setting]) of External Device you want to set from [Device-Specific Settings] of [Device/PLC Settings].

Individual Device Settings

PLC1

Series:

Device Address:

Default

OK (O) Cancel

■ Settings of External Device

Communication setting of the external device is set with the SET, Shift, UP and Down keys located on the front face of the temperature controller.

Please refer to the temperature controller manual for details.

◆ Procedure

1. While depressing the SET key, press the <R/S key to change from PV/SV display mode to setup setting mode.
2. Press the SET key and select parameters.
3. Press UP/Down keys and <R/S key to change the setting.
4. While depressing the SET key, press <R/S key to change from setup setting mode to PV/SV display mode.
5. Turn off power to the temperature controller and turn on again to set the setting.

◆ Setting value

Add	0
bPS	960
bIT	8n1

NOTE

- Parameters to be set differ per temperature controller. Please refer to the temperature controller manual for details.

3.9 Setting Example 9

■ Settings of GP-Pro EX

◆ Communication Settings

To display the setting screen, select [Device/PLC Settings] from [System setting window] in workspace.

Device/PLC 1

Summary [Change Device/PLC](#)

Maker: Driver: Port:

Text Data Mode: [Change](#)

Communication Settings

SID Type: RS232C RS422/485(2wire) RS422/485(4wire)

Speed:

Data Length: 7 8

Parity: NONE EVEN ODD

Stop Bit: 1 2

Flow Control: NONE ER(DTR/CTS) XON/XOFF

Timeout: (sec)

Retry:

Wait To Send: (ms)

RI / VCC: RI VCC

In the case of RS232C, you can select the 9th pin to RI (Input) or VCC (BV Power Supply). If you use the Digital's RS232C Isolation Unit, please select it to VCC.

Device-Specific Settings

Allowable No. of Device/PLCs: 16 Unit(s)

No.	Device Name	Settings
1	PLC1	Series=MA, Device Address=0

◆ Device Setting

To display the setting screen, click ([Setting]) of External Device you want to set from [Device-Specific Settings] of [Device/PLC Settings].

Individual Device Settings

PLC1

Series:

Device Address:

■ Settings of External Device

Communication setting of the external device is set with the SET, Shift, UP and Down keys located on the front face of the temperature controller.

Please refer to the temperature controller manual for details.

◆ Procedure

1. While depressing the SET key, press the <R/S key to change from PV/SV display mode to setup setting mode.
2. Press the SET key and select parameters.
3. Press UP/Down keys and <R/S key to change the setting.
4. While depressing the SET key, press <R/S key to change from setup setting mode to PV/SV display mode.
5. Turn off power to the temperature controller and turn on again to set the setting.

◆ Setting value

Add	0
bPS	960
bIT	8n1

NOTE

- Parameters to be set differ per temperature controller. Please refer to the temperature controller manual for details.


3.10 Setting Example 10

■ Settings of GP-Pro EX

◆ Communication Settings

To display the setting screen, select [Device/PLC Settings] from [System setting window] in workspace.

◆ Device Setting

To display the setting screen, click  ([Setting]) of External Device you want to set from [Device-Specific Settings] of [Device/PLC Settings].

■ Settings of External Device

Communication setting of the external device is set with the SET, Shift, UP and Down keys located on the front face of the temperature controller.

Please refer to the temperature controller manual for details.

◆ Procedure

1. While depressing the SET key, press the <R/S key to change from PV/SV display mode to setup setting mode.
2. Press the SET key and select parameters.
3. Press UP/Down keys and <R/S key to change the setting.
4. While depressing the SET key, press <R/S key to change from setup setting mode to PV/SV display mode.
5. Turn off power to the temperature controller and turn on again to set the setting.

◆ Setting value

Add	0
bPS	960
bIT	8n1

NOTE

- Parameters to be set differ per temperature controller. Please refer to the temperature controller manual for details.


3.11 Setting Example 11

■ Settings of GP-Pro EX

◆ Communication Settings

To display the setting screen, select [Device/PLC Settings] from [System setting window] in workspace.

◆ Device Setting

To display the setting screen, click  ([Setting]) of External Device you want to set from [Device-Specific Settings] of [Device/PLC Settings].

■ Settings of External Device

Communication setting of the external device is set with the SET, Shift, UP and Down keys located on the front face of the temperature controller.

Please refer to the temperature controller manual for details.

◆ Procedure

1. While depressing the Shift key, press the SET key to change from PV display mode to communication setting mode.
Device address of setting item is displayed.
2. Press the SET key to display the communication item to be set.
Every time the SET key is depressed, setting item switches.
3. Press the Shift key to move to the value setting display. Press the Up/Down keys and input the setting value.
4. Press the SET key to register the input value.
5. While depressing the Shift key, press the SET key to change from communication setting mode to PV display mode.

◆ Setting value

Add	0
bPS	2
bIT	0

NOTE

- Parameters to be set differ per temperature controller. Please refer to the temperature controller manual for details.

3.12 Setting Example 12

■ Settings of GP-Pro EX

◆ Communication Settings

To display the setting screen, select [Device/PLC Settings] from [System setting window] in workspace.

Device/PLC 1

Summary [Change Device/PLC](#)

Maker Driver Port

Text Data Mode [Change](#)

Communication Settings

SID Type RS232C RS422/485(2wire) RS422/485(4wire)

Speed

Data Length 7 8

Parity NONE EVEN ODD

Stop Bit 1 2

Flow Control NONE ER(DTR/CTS) XON/XOFF

Timeout (sec)

Retry

Wait To Send (ms)

RI / VCC RI VCC


In the case of RS232C, you can select the 9th pin to RI (Input) or VCC (BV Power Supply). If you use the Digital's RS232C Isolation Unit, please select it to VCC.

Device-Specific Settings

Allowable No. of Device/PLCs: 16 Unit(s)

No.	Device Name	Settings
1	PLC1	Series=LE, Device Address=0

◆ Device Setting

To display the setting screen, click  ([Setting]) of External Device you want to set from [Device-Specific Settings] of [Device/PLC Settings].

Individual Device Settings

PLC1

Series

Device Address

■ Settings of External Device

Communication setting of the external device is set with the SET, Shift, UP and Down keys located on the front face of the temperature controller.

Please refer to the temperature controller manual for details.

◆ Procedure

1. While depressing the Down key, press the SET key to change from PV display mode to device configuration setting mode.

Communication parameter group is displayed.

2. Press the UP/Down keys to display the communication parameter group "PG10".
3. Press the SET key to display the communication item to be set.
Every time the SET key is depressed, setting item switches.
4. Press the UP/Down keys and set the communication setting.
5. Turn off power of the temperature controller and turn on again to set the setting.

◆ Setting value

Add	0
bPS	2
bIT	0

NOTE

- Parameters to be set differ per temperature controller. Please refer to the temperature controller manual for details.


3.13 Setting Example 13

■ Settings of GP-Pro EX

◆ Communication Settings

To display the setting screen, select [Device/PLC Settings] from [System setting window] in workspace.

◆ Device Setting

To display the setting screen, click  ([Setting]) of External Device you want to set from [Device-Specific Settings] of [Device/PLC Settings].

■ Settings of External Device

Communication setting of the external device is set with the SEL, MODE, UP and Down keys located on the front face of the temperature controller.

Please refer to the temperature controller manual for details.

◆ Procedure

1. Set the external device to operation STOP status.
Press the MODE key to display "Operation execution (RUN) /STOP transfer," and press the Down key to set the mode to STOP.
2. Press the SET key to change from SV setting mode to operator setting mode.
3. Depress the SET key for 5 seconds or more to change from operator setting mode to setup mode.
4. Press the Up key to display PG24.
5. Every time the SET key is depressed, setting item switches.
Display the item to be set, and select set contents with the Up/Down keys or the Shift key.
6. Press the SET key to set the set contents.
7. Press the MODE key to display "Operation execution (RUN)/STOP transfer," and press the Up key to set the mode to RUN.

◆ Setting value

Add	0
bPS	3
bIT	0
CMPS	0

NOTE • Parameters to be set differ per temperature controller. Please refer to the temperature controller manual for details.


3.14 Setting Example 14

■ Settings of GP-Pro EX

◆ Communication Settings

To display the setting screen, select [Device/PLC Settings] from [System setting window] in workspace.

◆ Device Setting

To display the setting screen, click  ([Setting]) of External Device you want to set from [Device-Specific Settings] of [Device/PLC Settings].

■ Settings of External Device

Communication setting of the external device is set with the rotary switch on the front face of the temperature controller and the dip switch in the temperature controller.

Please refer to the temperature controller manual for details.

◆ Procedure

1. Set module address with the rotary switch on the front face of the temperature controller.
2. Set communication speed and data bit construction with the dip switch on the side of the temperature controller.

◆ Setting value

Rotary switch

Upper Digit Setting	0
Lower Digit Setting	0

Dip switch

Dip switch	Setting	Description
SW1	ON	Communication speed
SW2	OFF	
SW3	ON	Data bit construction
SW4	OFF	
SW5	OFF	
SW6	OFF	Protocol construction
SW7	OFF	Fixed
SW8	OFF	


3.15 Setting Example 15

■ Settings of GP-Pro EX

◆ Communication Settings

To display the setting screen, select [Device/PLC Settings] from [System setting window] in workspace.

◆ Device Setting

To display the setting screen, click  ([Setting]) of External Device you want to set from [Device-Specific Settings] of [Device/PLC Settings].

■ Settings of External Device

Communication setting of the external device is set with the rotary switch on the front face of the temperature controller and the dip switch in the temperature controller.

Please refer to the temperature controller manual for details.

◆ Procedure

1. Set module address with the rotary switch on the front face of the temperature controller.
2. Set communication speed and data bit construction with the dip switch on the side of the temperature controller.

◆ Setting value

Rotary switch

Upper Digit Setting	0
Lower Digit Setting	0

Dip switch

Dip switch	Setting	Description
SW1	ON	Communication speed
SW2	OFF	
SW3	ON	Data bit construction
SW4	OFF	
SW5	OFF	
SW6	OFF	Protocol construction
SW7	OFF	Fixed
SW8	OFF	


3.16 Setting Example 16

■ Settings of GP-Pro EX

◆ Communication Settings

To display the setting screen, select [Device/PLC Settings] from [System setting window] in workspace.

◆ Device Setting

To display the setting screen, click  ([Setting]) of External Device you want to set from [Device-Specific Settings] of [Device/PLC Settings].

■ Settings of External Device

Communication setting of the external device is set with the SET, Shift, UP and Down keys located on the front face of the temperature controller.

Please refer to the temperature controller manual for details.

◆ Procedure

1. While depressing the SET key, press the Shift key to change from PV/SV display mode to communication setting mode.
2. Press the SET key and select parameters.
3. Press UP/Down keys to change the setting.
4. While depressing the SET key, press Shift key to change from communication setting mode to PV/SV display mode.
5. Turn off power to the temperature controller and turn on again to set the setting.

◆ Setting value

Add	0
bPS	960
bIT	8n1

NOTE

- Parameters to be set differ per temperature controller. Please refer to the temperature controller manual for details.


3.17 Setting Example 17

■ Settings of GP-Pro EX

◆ Communication Settings

To display the setting screen, select [Device/PLC Settings] from [System setting window] in workspace.

◆ Device Setting

To display the setting screen, click  ([Setting]) of External Device you want to set from [Device-Specific Settings] of [Device/PLC Settings].

■ Settings of External Device

Communication setting of the external device is set with the SET, Shift, UP and Down keys located on the front face of the temperature controller.

Please refer to the temperature controller manual for details.

◆ Procedure

1. While depressing the SET key, press the Shift key to change from PV/SV display mode to communication setting mode.
2. Press the SET key and select parameters.
3. Press UP/Down keys to change the setting.
4. While depressing the SET key, press Shift key to change from communication setting mode to PV/SV display mode.
5. Turn off power to the temperature controller and turn on again to set the setting.

◆ Setting value

Add	0
bPS	960
bIT	8n1

NOTE

- Parameters to be set differ per temperature controller. Please refer to the temperature controller manual for details.


3.18 Setting Example 18

■ Settings of GP-Pro EX

◆ Communication Settings

To display the setting screen, select [Device/PLC Settings] from [System setting window] in workspace.

◆ Device Setting

To display the setting screen, click  ([Setting]) of External Device you want to set from [Device-Specific Settings] of [Device/PLC Settings].

■ Settings of External Device

Communication setting of the external device is set with the SEL, MONI/MODE, UP and Down keys located on the front face of the temperature controller.

Please refer to the temperature controller manual for details.

◆ Procedure

1. Depress the SEL key for 2 seconds to change from PV display mode to engineer setting mode.
Parameter group is displayed.
2. Press the Up/Down keys to display the parameter group, "PG8."
3. Press the SEL key to display the setting item. Every time the SEL key is depressed, setting item switches.
4. Press the Up/Down keys to select the setting value, and press the SEL key.
5. Press the Monitor/Mode key to switch to the PV display mode.
6. Press the Monitor/Mode key and the SEL key at the same time to change from PV display mode to SETUP setting mode.
7. Press the SEL key several times to display Add.
8. Press the Up/Down keys to input set value, and press the SEL key to set the input value.
9. Press the Monitor/Mode keys to switch to the PV display mode.
10. Turn off power of external device off, and turn it on again.

◆ Setting value

Engineer setting mode

bPS	3
bIT	0

SETUP setting mode

Add	0
-----	---

NOTE

- Parameters to be set differ per temperature controller. Please refer to the temperature controller manual for details.


3.19 Setting Example 19

■ Settings of GP-Pro EX

◆ Communication Settings

To display the setting screen, select [Device/PLC Settings] from [System setting window] in workspace.

◆ Device Setting

To display the setting screen, click  ([Setting]) of External Device you want to set from [Device-Specific Settings] of [Device/PLC Settings].

■ Settings of External Device

Communication setting of the external device is set with the SEL, MONI/MODE, UP and Down keys located on the front face of the temperature controller.

Please refer to the temperature controller manual for details.

◆ Procedure

1. Depress the SEL key for 2 seconds to change from PV display mode to engineer setting mode.
Parameter group is displayed.
2. Press the Up/Down keys to display the parameter group, "PG8."
3. Press the SEL key to display the setting item. Every time the SEL key is depressed, setting item switches.
4. Press the Up/Down keys to select the setting value, and press the SEL key.
5. Press the Monitor/Mode key to switch to the PV display mode.
6. Press the Monitor/Mode key and the SEL key at the same time to change from PV display mode to SETUP setting mode.
7. Press the SEL key several times to display Add.
8. Press the Up/Down keys to input set value, and press the SEL key to set the input value.
9. Press the Monitor/Mode keys to switch to the PV display mode.
10. Turn off power of external device off, and turn it on again.

◆ Setting value

Engineer setting mode

bPS	3
bIT	0

SETUP setting mode

Add	0
-----	---

NOTE

- Parameters to be set differ per temperature controller. Please refer to the temperature controller manual for details.


3.20 Setting Example 20

■ Settings of GP-Pro EX

◆ Communication Settings

To display the setting screen, select [Device/PLC Settings] from [System setting window] in workspace.

◆ Device Setting

To display the setting screen, click  ([Setting]) of External Device you want to set from [Device-Specific Settings] of [Device/PLC Settings].

■ Settings of External Device

Communication setting of the external device is set with the rotary switch on the front face of the temperature controller and the dip switch in the temperature controller.

Please refer to the temperature controller manual for details.

◆ Procedure

1. Unit address is set with the rotary switch on the front face of the temperature controller.
2. Remove the temperature controller from the mother block, and set the communication speed and data construction with the dip switch in the temperature controller.

◆ Setting value

Rotary switch

Upper Digit Setting	0
Lower Digit Setting	0

Dip switch

Dip switch	Setting	Description
SW1	OFF	Data construction
SW2	OFF	
SW3	ON	Communication speed
SW4	OFF	


3.21 Setting Example 21

■ Settings of GP-Pro EX

◆ Communication Settings

To display the setting screen, select [Device/PLC Settings] from [System setting window] in workspace.

◆ Device Setting

To display the setting screen, click  ([Setting]) of External Device you want to set from [Device-Specific Settings] of [Device/PLC Settings].

■ Settings of External Device

Communication setting of the external device is set with the rotary switch on the front face of the temperature controller and the dip switch in the temperature controller.

Please refer to the temperature controller manual for details.

◆ Procedure

1. Unit address is set with the rotary switch on the front face of the temperature controller.
2. Remove the temperature controller from the mother block, and set the communication speed and data construction with the dip switch in the temperature controller.

◆ Setting value

Rotary switch

Upper Digit Setting	0
Lower Digit Setting	0

Dip switch

Dip switch	Setting	Description
SW1	OFF	Data construction
SW2	OFF	
SW3	ON	Communication speed
SW4	OFF	


3.22 Setting Example 22

■ Settings of GP-Pro EX

◆ Communication Settings

To display the setting screen, select [Device/PLC Settings] from [System setting window] in workspace.

◆ Device Setting

To display the setting screen, click  ([Setting]) of External Device you want to set from [Device-Specific Settings] of [Device/PLC Settings].

■ Settings of External Device

Communication setting of the external device is set with the rotary switch on the front face of the temperature controller and the dip switch in the temperature controller.

Please refer to the temperature controller manual for details.

◆ Procedure

1. Unit address is set with the rotary switch on the front face of the temperature controller.
2. Remove the temperature controller from the mother block, and set the communication speed and data construction with the dip switch in the temperature controller.

◆ Setting value

Rotary switch

Upper Digit Setting	0
Lower Digit Setting	0

Dip switch

Dip switch	Setting	Description
SW1	OFF	Data construction
SW2	OFF	
SW3	ON	Communication speed
SW4	OFF	


3.23 Setting Example 23

■ Settings of GP-Pro EX

◆ Communication Settings

To display the setting screen, select [Device/PLC Settings] from [System setting window] in workspace.

◆ Device Setting

To display the setting screen, click  ([Setting]) of External Device you want to set from [Device-Specific Settings] of [Device/PLC Settings].

■ Settings of External Device

Communication setting of the external device is set with the SEL, MODE, UP and Down keys located on the front face of the temperature controller.

Please refer to the temperature controller manual for details.

◆ Procedure

1. Set the external device to the operation STOP status.
Press the MODE key several times to display "Operation execution (RUN) /STOP transfer," and press the Down key to set the mode to STOP.
2. Press the SET key to call up the set operator level 1.
3. Depress the SET key for 5 seconds or more to call up the set operator level 2.
4. Depress the SET key for 5 seconds or more to call up the engineer level.
5. Press the Down key several times to display PG24.
6. Press the SET key to display the set contents. Every time the SET key is depressed, item to be set switches.
7. Input the set contents with the Up/Down key, and press the SET key.
8. Press the MODE key to display "Operation execution (RUN)/STOP transfer," and press the Up key to set the mode to RUN.

◆ Setting value

Add	0
bPS	3
bIT	11

NOTE

- Parameters to be set differ per temperature controller. Please refer to the temperature controller manual for details.


3.24 Setting Example 24

■ Settings of GP-Pro EX

◆ Communication Settings

To display the setting screen, select [Device/PLC Settings] from [System setting window] in workspace.

◆ Device Setting

To display the setting screen, click  ([Setting]) of External Device you want to set from [Device-Specific Settings] of [Device/PLC Settings].

■ Settings of External Device

Communication setting of the external device is set with the SEL, MODE, UP and Down keys located on the front face of the temperature controller.

Please refer to the temperature controller manual for details.

◆ Procedure

1. Set the external device to the operation STOP status.
Press the MODE key several times to display "Operation execution (RUN) /STOP transfer," and press the Down key to set the mode to STOP.
2. Press the SET key to call up the set operator level 1.
3. Depress the SET key for 5 seconds or more to call up the set operator level 2.
4. Depress the SET key for 5 seconds or more to call up the engineer level.
5. Press the Down key several times to display PG24.
6. Press the SET key to display the set contents. Every time the SET key is depressed, item to be set switches.
7. Input the set contents with the Up/Down key, and press the SET key.
8. Press the MODE key to display "Operation execution (RUN)/STOP transfer," and press the Up key to set the mode to RUN.

◆ Setting value

Add	0
bPS	3
bIT	11

NOTE • Parameters to be set differ per temperature controller. Please refer to the temperature controller manual for details.

3.25 Setting Example 25

■ Settings of GP-Pro EX

◆ Communication Settings

To display the setting screen, select [Device/PLC Settings] from [System setting window] in workspace.

Device/PLC 1

Summary [Change Device/PLC](#)

Maker Driver Port

Text Data Mode [Change](#)

Communication Settings

SID Type RS232C RS422/485(2wire) RS422/485(4wire)

Speed

Data Length 7 8

Parity NONE EVEN ODD

Stop Bit 1 2

Flow Control NONE ER(DTR/CTS) XON/XOFF

Timeout (sec)

Retry

Wait To Send (ms)

RI / VCC RI VCC


In the case of RS232C, you can select the 9th pin to RI (Input) or VCC (5V Power Supply). If you use the Digital's RS232C Isolation Unit, please select it to VCC.

Device-Specific Settings

Allowable No. of Device/PLCs: 16 Unit(s)

No.	Device Name	Settings
1	PLC1	Series=REX-F, Device Address=0

◆ Device Setting

To display the setting screen, click  ([Setting]) of External Device you want to set from [Device-Specific Settings] of [Device/PLC Settings].

Individual Device Settings

PLC1

Series

Device Address

■ Settings of External Device

Communication setting of the external device is set with the SEL, MODE, UP and Down keys located on the front face of the temperature controller.

Please refer to the temperature controller manual for details.

◆ Procedure

1. Set the external device to the operation STOP status.
Press the MODE key several times to display "Operation execution (RUN) /STOP transfer," and press the Down key to set the mode to STOP.
2. Press the SET key to call up the set operator level 1.
3. Depress the SET key for 5 seconds or more to call up the set operator level 2.
4. Depress the SET key for 5 seconds or more to call up the engineer level.
5. Press the Down key several times to display PG24.
6. Press the SET key to display the set contents. Every time the SET key is depressed, item to be set switches.
7. Input the set contents with the Up/Down key, and press the SET key.
8. Press the MODE key to display "Operation execution (RUN)/STOP transfer," and press the Up key to set the mode to RUN.

◆ Setting value

Add	0
bPS	3
bIT	11

NOTE

- Parameters to be set differ per temperature controller. Please refer to the temperature controller manual for details.

3.26 Setting Example 26

■ Settings of GP-Pro EX

◆ Communication Settings

To display the setting screen, select [Device/PLC Settings] from [System setting window] in workspace.

Device/PLC 1

Summary [Change Device/PLC](#)

Maker: RKC INSTRUMENT INC. Driver: Temperature Controller Port: COM1

Text Data Mode: 2 [Change](#)

Communication Settings

SID Type: RS232C RS422/485(2wire) RS422/485(4wire)

Speed: 9600

Data Length: 7 8

Parity: NONE EVEN ODD

Stop Bit: 1 2

Flow Control: NONE ER(DTR/CTS) XON/XOFF

Timeout: 3 (sec)

Retry: 2

Wait To Send: 0 (ms)

RI / VCC: RI VCC

In the case of RS232C, you can select the 9th pin to RI (Input) or VCC (5V Power Supply). If you use the Digital's RS232C Isolation Unit, please select it to VCC.


Default

Device-Specific Settings

Allowable No. of Device/PLCs: 16 Unit(s)

No.	Device Name	Settings
1	PLC1	Series=REX-G9, Device Address=0

◆ Device Setting

To display the setting screen, click  ([Setting]) of External Device you want to set from [Device-Specific Settings] of [Device/PLC Settings].

Individual Device Settings

PLC1

Series: REX-G9

Device Address: 0

Default

OK (O) Cancel

■ Settings of External Device

Communication setting of the external device is set with the MODE, PARA, >>>, UP and Down keys located on the front face of the temperature controller.

Please refer to the temperature controller manual for details.

◆ Procedure

1. Press the MODE key to display "Operation execution (RUN)/STOP transfer."
Press the >>> key to stop operation.
2. Press PARA key to display "Setting (PARA) screen."
Press the Up/Down keys, select PARA GROUP 24, and press the PARA key.
3. Every time the PARA Key is depressed, setting item switches.
Display the item to be set, and select the set contents with the Up/Down keys.
4. After setting, press the MODE key to display "Operation execution (RUN)/STOP screen."
Press the >>> key to put the operation into action.

◆ Setting value

Bit Format	P (Parity): n DT (Data Bit): 8 SP (Stop bit): 1
Device Address	0
Speed	9600

NOTE

- Parameters to be set differ per temperature controller. Please refer to the temperature controller manual for details.

3.27 Setting Example 27

■ Settings of GP-Pro EX

◆ Communication Settings

To display the setting screen, select [Device/PLC Settings] from [System setting window] in workspace.

Device/PLC 1

Summary [Change Device/PLC](#)

Maker: RKC INSTRUMENT INC. Driver: Temperature Controller Port: COM1

Text Data Mode: 2 [Change](#)

Communication Settings

SID Type: RS232C RS422/485(2wire) RS422/485(4wire)

Speed: 9600

Data Length: 7 8

Parity: NONE EVEN ODD

Stop Bit: 1 2

Flow Control: NONE ER(DTR/CTS) XON/XOFF

Timeout: 3 (sec)

Retry: 2

Wait To Send: 0 (ms)

RI / VCC: RI VCC

In the case of RS232C, you can select the 9th pin to RI (Input or VCC (5V Power Supply). If you use the Digital's RS232C Isolation Unit, please select it to VCC.

Default

Device-Specific Settings

Allowable No. of Device/PLCs: 16 Unit(s)

No.	Device Name	Settings
1	PLC1	Series=REX-G9, Device Address=0

◆ Device Setting

To display the setting screen, click ([Setting]) of External Device you want to set from [Device-Specific Settings] of [Device/PLC Settings].

Individual Device Settings

PLC1

Series: REX-G9

Device Address: 0

Default

OK (O) Cancel

■ Settings of External Device

Communication setting of the external device is set with the MODE, PARA, >>>, UP and Down keys located on the front face of the temperature controller.

Please refer to the temperature controller manual for details.

◆ Procedure

1. Press the MODE key to display "Operation execution (RUN)/STOP transfer."
Press the >>> key to stop operation.
2. Press PARA key to display "Setting (PARA) screen."
Press the Up/Down keys, select PARA GROUP 24, and press the PARA key.
3. Every time the PARA Key is depressed, setting item switches.
Display the item to be set, and select the set contents with the Up/Down keys.
4. After setting, press the MODE key to display "Operation execution (RUN)/STOP screen."
Press the >>> key to put the operation into action.

◆ Setting value

Bit Format	P (Parity): n DT (Data Bit): 8 SP (Stop bit): 1
Device Address	0
Speed	9600

NOTE

- Parameters to be set differ per temperature controller. Please refer to the temperature controller manual for details.

3.28 Setting Example 28

■ Settings of GP-Pro EX

◆ Communication Settings

To display the setting screen, select [Device/PLC Settings] from [System setting window] in workspace.

Device/PLC 1

Summary [Change Device/PLC](#)

Maker Driver Port

Text Data Mode [Change](#)

Communication Settings

SID Type RS232C RS422/485(2wire) RS422/485(4wire)

Speed

Data Length 7 8

Parity NONE EVEN ODD

Stop Bit 1 2

Flow Control NONE ER(DTR/CTS) XON/XOFF

Timeout (sec)

Retry

Wait To Send (ms)

RI / VCC RI VCC

In the case of RS232C, you can select the 9th pin to RI (Input) or VCC (BV Power Supply). If you use the Digital's RS232C Isolation Unit, please select it to VCC.

[Default](#)

Device-Specific Settings

Allowable No. of Device/PLCs: 16 Unit(s)

No.	Device Name	Settings
1	PLC1	Series=REX-G9, Device Address=0

◆ Device Setting

To display the setting screen, click ([Setting]) of External Device you want to set from [Device-Specific Settings] of [Device/PLC Settings].

Individual Device Settings

PLC1

Series

Device Address

[Default](#)

[OK \(O\)](#) [Cancel](#)

■ Settings of External Device

Communication setting of the external device is set with the MODE, PARA, >>>, UP and Down keys located on the front face of the temperature controller.

Please refer to the temperature controller manual for details.

◆ Procedure

1. Press the MODE key to display "Operation execution (RUN)/STOP transfer."
Press the >>> key to stop operation.
2. Press PARA key to display "Setting (PARA) screen."
Press the Up/Down keys, select PARA GROUP 24, and press the PARA key.
3. Every time the PARA Key is depressed, setting item switches.
Display the item to be set, and select the set contents with the Up/Down keys.
4. After setting, press the MODE key to display "Operation execution (RUN)/STOP screen."
Press the >>> key to put the operation into action.

◆ Setting value

Bit Format	P (Parity): n DT (Data Bit): 8 SP (Stop bit): 1
Device Address	0
Speed	9600

NOTE

- Parameters to be set differ per temperature controller. Please refer to the temperature controller manual for details.

3.29 Setting Example 29

■ Settings of GP-Pro EX

◆ Communication Settings

To display the setting screen, select [Device/PLC Settings] from [System setting window] in workspace.

Device/PLC 1

Summary [Change Device/PLC](#)

Maker Driver Port

Text Data Mode [Change](#)

Communication Settings

SID Type RS232C RS422/485(2wire) RS422/485(4wire)

Speed

Data Length 7 8

Parity NONE EVEN ODD

Stop Bit 1 2

Flow Control NONE ER(DTR/CTS) XON/XOFF

Timeout (sec)

Retry

Wait To Send (ms)

RI / VCC RI VCC


In the case of RS232C, you can select the 9th pin to RI (Input) or VCC (5V Power Supply). If you use the Digital's RS232C Isolation Unit, please select it to VCC.

Device-Specific Settings

Allowable No. of Device/PLCs: 16 Unit(s)

No.	Device Name	Settings
1	PLC1	Series=REX-P300, Device Address=0

◆ Device Setting

To display the setting screen, click  ([Setting]) of External Device you want to set from [Device-Specific Settings] of [Device/PLC Settings].

Individual Device Settings

PLC1

Series

Device Address

■ Settings of External Device

Communication setting of the external device is set with the SET, MODE, UP and Down keys located on the front face of the temperature controller.

Please refer to the temperature controller manual for details.

◆ Procedure

1. Press the SET key for 2 seconds to change from PV display mode to engineer setting mode.
Parameter group is displayed.
2. Press the Up/Down keys to display the parameter group, "PG60."
3. Press the SET Key to display setting item. Every time the SET Key is depressed, item to be set switches.
4. Press the Up/Down keys to select set value, and press the SET Key.
5. Press the Reset key to reset the external device.
6. Press the Monitor/Mode key and the SET key at the same time to move to SETUP setting mode.
7. Press the SET key several times to display Add.
8. Press the Up/Down keys to select set value, and press the SET key.
9. Press the RUN/HOLD key to move to operation monitor mode.

◆ Setting value

Engineer setting mode

bPS	2
bIT	0

SETUP setting mode

Add	0
-----	---

NOTE

- Parameters to be set differ per temperature controller. Please refer to the temperature controller manual for details.


3.30 Setting Example 30

■ Settings of GP-Pro EX

◆ Communication Settings

To display the setting screen, select [Device/PLC Settings] from [System setting window] in workspace.

◆ Device Setting

To display the setting screen, click  ([Setting]) of External Device you want to set from [Device-Specific Settings] of [Device/PLC Settings].

■ Settings of External Device

Communication setting of the external device is set with the SET, MODE, UP and Down keys located on the front face of the temperature controller.

Please refer to the temperature controller manual for details.

◆ Procedure

1. Press the SET key for 2 seconds to change from PV display mode to engineer setting mode.
Parameter group is displayed.
2. Press the Up/Down keys to display the parameter group, "PG60."
3. Press the SET Key to display setting item. Every time the SET Key is depressed, item to be set switches.
4. Press the Up/Down keys to select set value, and press the SET Key.
5. Press the Reset key to reset the external device.
6. Press the Monitor/Mode key and the SET key at the same time to move to SETUP setting mode.
7. Press the SET key several times to display Add.
8. Press the Up/Down keys to select set value, and press the SET key.
9. Press the RUN/HOLD key to move to operation monitor mode.

◆ Setting value

Engineer setting mode

bPS	2
bIT	0

SETUP setting mode

Add	0
-----	---

NOTE

- Parameters to be set differ per temperature controller. Please refer to the temperature controller manual for details.


3.31 Setting Example 31

■ Settings of GP-Pro EX

◆ Communication Settings

To display the setting screen, select [Device/PLC Settings] from [System setting window] in workspace.

◆ Device Setting

To display the setting screen, click  ([Setting]) of External Device you want to set from [Device-Specific Settings] of [Device/PLC Settings].

■ Settings of External Device

Communication setting of the external device is set with the SET, MODE, UP and Down keys located on the front face of the temperature controller.

Please refer to the temperature controller manual for details.

◆ Procedure

1. Press the SET key for 2 seconds to change from PV display mode to engineer setting mode.
Parameter group is displayed.
2. Press the Up/Down keys to display the parameter group, "PG60."
3. Press the SET Key to display setting item. Every time the SET Key is depressed, item to be set switches.
4. Press the Up/Down keys to select set value, and press the SET Key.
5. Press the Reset key to reset the external device.
6. Press the Monitor/Mode key and the SET key at the same time to move to SETUP setting mode.
7. Press the SET key several times to display Add.
8. Press the Up/Down keys to select set value, and press the SET key.
9. Press the RUN/HOLD key to move to operation monitor mode.

◆ Setting value

Engineer setting mode

bPS	2
bIT	0

SETUP setting mode

Add	0
-----	---

NOTE

- Parameters to be set differ per temperature controller. Please refer to the temperature controller manual for details.


3.32 Setting Example 32

■ Settings of GP-Pro EX

◆ Communication Settings

To display the setting screen, select [Device/PLC Settings] from [System setting window] in workspace.

◆ Device Setting

To display the setting screen, click  ([Setting]) of External Device you want to set from [Device-Specific Settings] of [Device/PLC Settings].

■ Settings of External Device

Communication setting of the external device is set with the SET, UP and Down keys located on the front face of the temperature controller.

Please refer to the temperature controller manual for details.

◆ Procedure

1. While lifting up the stopper located at the lower section of the external device with a finger, pull and remove it from the case.
2. Turn on the internal switch A at upper external device and put it back in the case.
3. Press the SET key to display the item to be set, and select the set contents with the Up/Down keys. Stop bit, data bit, and parity bit are displayed in a 3 digit character string at the setting item, bIT, so touch each one's digit, ten's digit, and hundred's digit on the SV indicator, and select the set contents with the Up/Down keys.
4. Press the SET key to set the set contents.
5. Remove the external device form the case, turn OFF the internal switch A mentioned in 2 above, and return it to the case.

◆ Setting value

bPS	4800
bIT	072
Add	0

NOTE

- Parameters to be set differ per temperature controller. Please refer to the temperature controller manual for details.


3.33 Setting Example 33

■ Settings of GP-Pro EX

◆ Communication Settings

To display the setting screen, select [Device/PLC Settings] from [System setting window] in workspace.

◆ Device Setting

To display the setting screen, click  ([Setting]) of External Device you want to set from [Device-Specific Settings] of [Device/PLC Settings].

■ Settings of External Device

Communication setting of the external device is set with the SET, UP and Down keys located on the front face of the temperature controller.

Please refer to the temperature controller manual for details.

◆ Procedure

1. While lifting up the stopper located at the lower section of the external device with a finger, pull and remove it from the case.
2. Turn on the internal switch A at upper external device and put it back in the case.
3. Press the SET key to display the item to be set, and select the set contents with the Up/Down keys. Stop bit, data bit, and parity bit are displayed in a 3 digit character string at the setting item, bIT, so touch each one's digit, ten's digit, and hundred's digit on the SV indicator, and select the set contents with the Up/Down keys.
4. Press the SET key to set the set contents.
5. Remove the external device form the case, turn OFF the internal switch A mentioned in 2 above, and return it to the case.

◆ Setting value

bPS	4800
bIT	072
Add	0

NOTE

- Parameters to be set differ per temperature controller. Please refer to the temperature controller manual for details.


3.34 Setting Example 34

■ Settings of GP-Pro EX

◆ Communication Settings

To display the setting screen, select [Device/PLC Settings] from [System setting window] in workspace.

◆ Device Setting

To display the setting screen, click  ([Setting]) of External Device you want to set from [Device-Specific Settings] of [Device/PLC Settings].

■ Settings of External Device

Communication setting of the external device is set with the SEL, MODE, UP and Down keys located on the front face of the temperature controller.

Please refer to the temperature controller manual for details.

◆ Procedure

1. Depress the SEL key for 2 seconds to change from PV display mode to engineer setting mode.
Parameter group is displayed.
2. Press the Up/Down keys to display the parameter group, "PG9."
3. Press the SEL key to display the setting item. Every time the SEL key is depressed, setting item switches.
4. Press the Up/Down keys to display the setting value.
5. Press the Up/Down keys to select the setting value, and press the SEL key.
6. Press the Monitor/Mode key to switch to the PV display mode.
7. Press the Monitor/Mode key and the SEL key at the same time to change from PV display mode to SETUP setting mode.
8. Press the SEL key several times to display Add.
9. Press the Up/Down keys to display the setting value.
10. Press the Up/Down keys to display the setting value.
11. Press the Monitor/Mode keys to switch to the PV display mode.

◆ Setting value

Engineer setting mode

bPS	3
bIT	0

SETUP setting mode

Add	0
-----	---

NOTE

- Parameters to be set differ per temperature controller. Please refer to the temperature controller manual for details.


3.35 Setting Example 35

■ Settings of GP-Pro EX

◆ Communication Settings

To display the setting screen, select [Device/PLC Settings] from [System setting window] in workspace.

◆ Device Setting

To display the setting screen, click  ([Setting]) of External Device you want to set from [Device-Specific Settings] of [Device/PLC Settings].

■ Settings of External Device

Communication setting of the external device is set with the SEL, MODE, UP and Down keys located on the front face of the temperature controller.

Please refer to the temperature controller manual for details.

◆ Procedure

1. Depress the SEL key for 2 seconds to change from PV display mode to engineer setting mode.
Parameter group is displayed.
2. Press the Up/Down keys to display the parameter group, "PG9."
3. Press the SEL key to display the setting item. Every time the SEL key is depressed, setting item switches.
4. Press the Up/Down keys to display the setting value.
5. Press the Up/Down keys to select the setting value, and press the SEL key.
6. Press the Monitor/Mode key to switch to the PV display mode.
7. Press the Monitor/Mode key and the SEL key at the same time to change from PV display mode to SETUP setting mode.
8. Press the SEL key several times to display Add.
9. Press the Up/Down keys to display the setting value.
10. Press the Up/Down keys to display the setting value.
11. Press the Monitor/Mode keys to switch to the PV display mode.

◆ Setting value

Engineer setting mode

bPS	3
bIT	0

SETUP setting mode

Add	0
-----	---

NOTE

- Parameters to be set differ per temperature controller. Please refer to the temperature controller manual for details.


3.36 Setting Example 36

■ Settings of GP-Pro EX

◆ Communication Settings

To display the setting screen, select [Device/PLC Settings] from [System setting window] in workspace.

◆ Device Setting

To display the setting screen, click  ([Setting]) of External Device you want to set from [Device-Specific Settings] of [Device/PLC Settings].

■ Settings of External Device

Communication setting of the external device is set with the SEL, MODE, UP and Down keys located on the front face of the temperature controller.

Please refer to the temperature controller manual for details.

◆ Procedure

1. Depress the SEL key for 2 seconds to change from PV display mode to engineer setting mode.
Parameter group is displayed.
2. Press the Up/Down keys to display the parameter group, "PG6."
3. Press the SEL key to display the setting item. Every time the SEL key is depressed, setting item switches.
4. Press the Up/Down keys to display the setting value.
5. Press the Up/Down keys to select the setting value, and press the SEL key.
6. Press the Monitor/Mode key to switch to the PV display mode.
7. Press the Monitor/Mode key and the SEL key at the same time to change from PV display mode to SETUP setting mode.
8. Press the SEL key several times to display Add.
9. Press the Up/Down keys to display the setting value.
10. Press the Up/Down keys to display the setting value.
11. Press the Monitor/Mode keys to switch to the PV display mode.

◆ Setting value

Engineer setting mode

bPS	3
bIT	0

SETUP setting mode

Add	0
-----	---

NOTE

- Parameters to be set differ per temperature controller. Please refer to the temperature controller manual for details.


3.37 Setting Example 37

■ Settings of GP-Pro EX

◆ Communication Settings

To display the setting screen, select [Device/PLC Settings] from [System setting window] in workspace.

◆ Device Setting

To display the setting screen, click  ([Setting]) of External Device you want to set from [Device-Specific Settings] of [Device/PLC Settings].

■ Settings of External Device

Communication setting of the external device is set with the SEL, MODE, UP and Down keys located on the front face of the temperature controller.

Please refer to the temperature controller manual for details.

◆ Procedure

1. Depress the SEL key for 2 seconds to change from PV display mode to engineer setting mode.
Parameter group is displayed.
2. Press the Up/Down keys to display the parameter group, "PG9."
3. Press the SEL key to display the setting item. Every time the SEL key is depressed, setting item switches.
4. Press the Up/Down keys to display the setting value.
5. Press the Up/Down keys to select the setting value, and press the SEL key.
6. Press the Monitor/Mode key to switch to the PV display mode.
7. Press the Monitor/Mode key and the SEL key at the same time to change from PV display mode to SETUP setting mode.
8. Press the SEL key several times to display Add.
9. Press the Up/Down keys to display the setting value.
10. Press the Up/Down keys to display the setting value.
11. Press the Monitor/Mode keys to switch to the PV display mode.

◆ Setting value

Engineer setting mode

bPS	3
bIT	0

SETUP setting mode

Add	0
-----	---

NOTE

- Parameters to be set differ per temperature controller. Please refer to the temperature controller manual for details.


3.38 Setting Example 38

■ Settings of GP-Pro EX

◆ Communication Settings

To display the setting screen, select [Device/PLC Settings] from [System setting window] in workspace.

◆ Device Setting

To display the setting screen, click  ([Setting]) of External Device you want to set from [Device-Specific Settings] of [Device/PLC Settings].

■ Settings of External Device

Communication setting of the external device is set with the slave address setting switch on the front face of the temperature controller and the dip switch in the temperature controller.

Please refer to the temperature controller manual for details.

◆ Procedure

1. Set slave address for the host link with the slave address setting switch on the front face of the temperature controller.
2. Remove the temperature controller from the mother block and set communication speed and data construction with the dip switch in the temperature controller.

◆ Setting value

Slave address setting switch

Upper Digit Setting	0
Lower Digit Setting	0

Dip switch

Dip switch	Setting	Discription
1	ON	Data construction
2	ON	
3	ON	Communication speed
4	OFF	

NOTE

- Parameters to be set differ per temperature controller. Please refer to the temperature controller manual for details.


3.39 Setting Example 39

■ Settings of GP-Pro EX

◆ Communication Settings

To display the setting screen, select [Device/PLC Settings] from [System setting window] in workspace.

◆ Device Setting

To display the setting screen, click  ([Setting]) of External Device you want to set from [Device-Specific Settings] of [Device/PLC Settings].

■ Settings of External Device

Communication setting of the external device is set with the slave address setting switch on the front face of the temperature controller and the dip switch in the temperature controller.

Please refer to the temperature controller manual for details.

◆ Procedure

1. Set slave address for the host link with the slave address setting switch on the front face of the temperature controller.
2. Remove the temperature controller from the mother block and set communication speed and data construction with the dip switch in the temperature controller.

◆ Setting value

Slave address setting switch

Upper Digit Setting	0
Lower Digit Setting	0

Dip switch

Dip switch	Setting	Discription
1	ON	Data construction
2	ON	
3	ON	Communication speed
4	OFF	

NOTE

- Parameters to be set differ per temperature controller. Please refer to the temperature controller manual for details.

4 Setup Items

Set communication settings of the Display with GP-Pro EX or in off-line mode of the Display.

The setting of each parameter must be identical to that of External Device.

☞ "3 Example of Communication Setting" (page 9)

4.1 Setup Items in GP-Pro EX

■ Communication Settings

To display the setting screen, select [Device/PLC Settings] from [System setting window] in workspace.

Device/PLC 1

Summary [Change Device/PLC](#)

Maker Driver Port

Text Data Mode [Change](#)

Communication Settings

SIO Type RS232C RS422/485(2wire) RS422/485(4wire)

Speed

Data Length 7 8

Parity NONE EVEN ODD

Stop Bit 1 2

Flow Control NONE ER(DTR/CTS) XON/XOFF

Timeout (sec)

Retry

Wait To Send (ms)

RI / VCC RI VCC

In the case of RS232C, you can select the 9th pin to RI (Input) or VCC (5V Power Supply). If you use the Digital's RS232C Isolation Unit, please select it to VCC.


Device-Specific Settings

Allowable No. of Device/PLCs 16 Unit(s)

No.	Device Name	Settings
1	PLC1	Series=FB_Device Address=0

Setup Items	Setup Description
SIO Type	Select the SIO type to communicate with the External Device.
Speed	Select speed between the External Device and the Display.
Data Length	Select data length.
Parity	Select how to check parity.
Stop Bit	Select stop bit length.
Flow Control	Display the communication control method to prevent overflow of transmission and reception data.
Timeout	Use an integer from 1 to 127 to enter the time (s) for which the Display waits for the response from the External Device.
Retry	In case of no response from the External Device, use an integer from 0 to 255 to enter how many times the Display retransmits the command.
Wait To Send	Use an integer from 0 to 255 to enter standby time (ms) for the Display from receiving packets to transmitting next commands.
RI/VCC	You can switch RI/VCC of the 9th pin when you select RS232C for SIO type

■ Device Setting

To display the setting screen, click  ([Setting]) of External Device you want to set from [Device-Specific Settings] of [Device/PLC Settings].

When you connect multiple External Device, click  from [Device-Specific Settings] of [Device/PLC Settings] to add another External Device.



Setup Items	Setup Description
Series	Select the External Device series.
Device Address	Enter the address of the External Device, using 0 to 99.

4.2 Setup Items in Off-Line Mode

NOTE

- Please refer to Maintenance/Troubleshooting for more information on how to enter off-line mode or about operation.

Cf. Maintenance/Troubleshooting "2.2 Offline Mode"

■ Communication Settings

To display the setting screen, touch [Device/PLC Settings] from [Peripheral Settings] in off-line mode. Touch the External Device you want to set from the displayed list.

Comm.	Device	Option		
Temperature Controller		[COM1]	Page 1/1	
SIO Type	RS232C			
Speed	9600			
Data Length	<input type="radio"/> 7 <input checked="" type="radio"/> 8			
Parity	<input checked="" type="radio"/> NONE <input type="radio"/> EVEN <input type="radio"/> ODD			
Stop Bit	<input checked="" type="radio"/> 1 <input type="radio"/> 2			
Flow Control	NONE			
Timeout(s)	3			
Retry	2			
Wait To Send(ms)	0			
Exit		Back		2006/03/09 16:58:58

Setup Items	Setup Description
SIO Type	Select the SIO type to communicate with the External Device.
Speed	Select speed between the External Device and the Display.
Data Length	Select data length.
Parity	Select how to check parity.
Stop Bit	Select stop bit length.
Flow Control	Display the communication control method to prevent overflow of transmission and reception data.
Timeout	Use an integer from 1 to 127 to enter the time (s) for which the Display waits for the response from the External Device.
Retry	In case of no response from the External Device, use an integer from 0 to 255 to enter how many times the Display retransmits the command.
Wait To Send	Use an integer from 0 to 255 to enter standby time (ms) for the Display from receiving packets to transmitting next commands.

◆ Device Setting

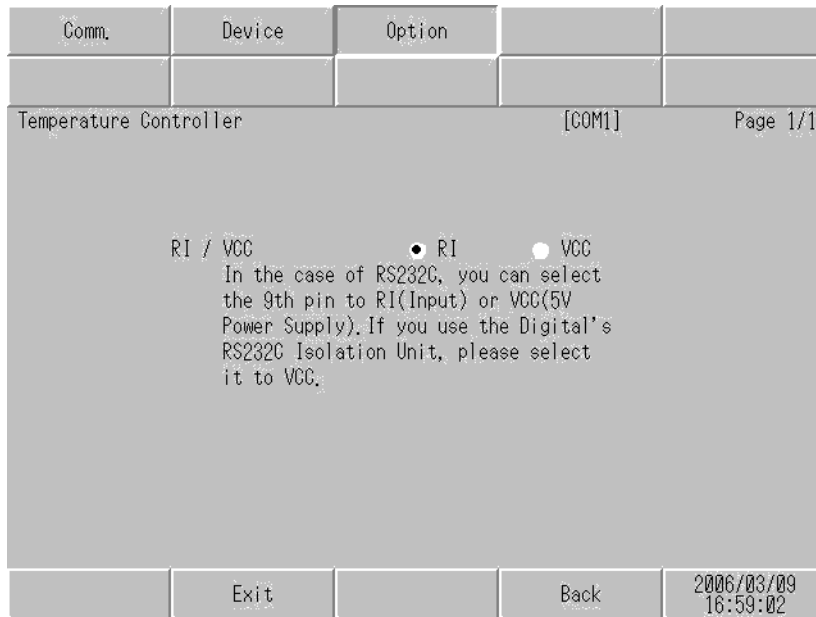
To display the setting screen, touch [Device/PLC Settings] from [Peripheral Settings]. Touch the External Device you want to set from the displayed list, and touch [Device].

Comm.	Device	Option		
Temperature Controller		[COM1]	Page 1/1	
Device/PLC Name		[PLC1] ▼		
Series		[CB] ▼		
Device Address		[0] ▼ ▲		
Exit		Back		2006/03/09 16:59:00

Setup Items	Setup Description
Device/PLC Name	Select the External Device for device setting. Device name is a title of External Device set with GP-Pro EX.(Initial value [PLC1])
Series	Select the External Device series.
Device Address	Enter the address of the External Device, using 0 to 99.

■ Option

To display the setting screen, touch [Device/PLC Settings] from [Peripheral Settings]. Touch the External Device you want to set from the displayed list, and touch [Option].



Setup Items	Setup Description
RI/VCC	You can switch RI/VCC of the 9th pin when you select RS232C for SIO type

5 Cable Diagram

The cable diagram shown below may be different from the cable diagram recommended by RKC INSTRUMENT INC. Please be assured there is no operational problem in applying the cable diagram shown in this manual.

- The FG pin of the External Device body must be D-class grounded. Please refer to the manual of the External Device for more details.
- SG and FG are connected inside the Display. When connecting SG to the External Device, design the system not to form short-circuit loop.
- Connect the isolation unit, when communication is not stabilized under the influence of a noise etc..
- When connecting IPC with External Device by RS-232C, the COM port which can be used changes with series. Please refer to the manual of IPC for details.

Usable port

Series	Usable port
PS-2000B	COM1 ^{*1} , COM2, COM3 ^{*1} , COM4
PS-3650A, PS-3651A	COM1 ^{*1}
PS-3700A (Pentium®4-M)	COM1 ^{*1} , COM2 ^{*1} , COM3 ^{*2} , COM4

*1 The RI/5V can be switched. Please switch with the change switch of IPC.

*2 It is necessary to set up the SIO type with the Dip switch.

- When connecting to the COM3 of PS-3700A (Pentium®4-M) with External Device, it is necessary to set up the SIO type of COM3 with a Dip switch. Please refer to the manual of PS-3700A (Pentium®4-M) for details.

Dip switch setting: RS-232C

Dip switch	Setting	Description
1	OFF	Reserve (always OFF)
2	OFF	SIO type of COM3: RS-232C
3	OFF	
4	OFF	Output mode of TX data: Always output
5	OFF	Terminal resistance insertion to TX (220Ω): None
6	OFF	Terminal resistance insertion to RX (220Ω): None
7	OFF	Short-circuit of TXA and RXA: Does not Exist
8	OFF	Short-circuit of TXB and RXB: Does not Exist
9	OFF	Auto Detection: Disable
10	OFF	

Dip switch setting: RS-422/485 (4 wire)

Dip switch	Setting	Description
1	OFF	Reserve (always OFF)
2	ON	SIO type of COM3: RS-422/485
3	ON	
4	OFF	Output mode of TX data: Always output
5	OFF	Terminal resistance insertion to TX (220Ω): None
6	OFF	Terminal resistance insertion to RX (220Ω): None
7	OFF	Short-circuit of TXA and RXA: Does not Exist
8	OFF	Short-circuit of TXB and RXB: Does not Exist
9	OFF	Auto Detection: Disable
10	OFF	

Dip switch setting: RS-422/485 (2 wire)

Dip switch	Setting	Description
1	OFF	Reserve (always OFF)
2	ON	SIO type of COM3: RS-422/485
3	ON	
4	OFF	Output mode of TX data: Always output
5	OFF	Terminal resistance insertion to TX (220Ω): None
6	OFF	Terminal resistance insertion to RX (220Ω): None
7	ON	Short-circuit of TXA and RXA: Exists
8	ON	Short-circuit of TXB and RXB: Exists
9	ON	Auto Detection: Enable
10	ON	

- When connecting with RS422/485 (2 wire) or RS422/485 (4 wire), up to 16 units of temperature controllers can be connected. However, when connecting FB400/900 series with RS422/485 (4 wire), only up to 15 units can be connected.


Cable Diagram 1

Display (Connection Port)	Cable		Notes
GP* ¹ (COM1) AGP-3302B (COM2)	A	COM port conversion adapter by Pro-face CA3-ADPCOM-01 + Terminal block conversion adapter by Pro-face CA3-ADPTRM-01 + Your own cable	The cable length must be 600m or less.
	B	Your own cable	
GP* ² (COM2)	C	Online adapter by Pro-face CA4-ADPONL-01 + Terminal block conversion adapter by Pro-face CA3-ADPTRM-01 + Your own cable	
	D	Online adapter by Pro-face CA4-ADPONL-01 + Your own cable	
IPC* ³ (COM3)	E	COM port conversion adapter by Pro-face CA3-ADPCOM-01 + Terminal block conversion adapter by Pro-face CA3-ADPTRM-01 + Your own cable	
	F	Your own cable	

*1 All GP models except AGP-3302B

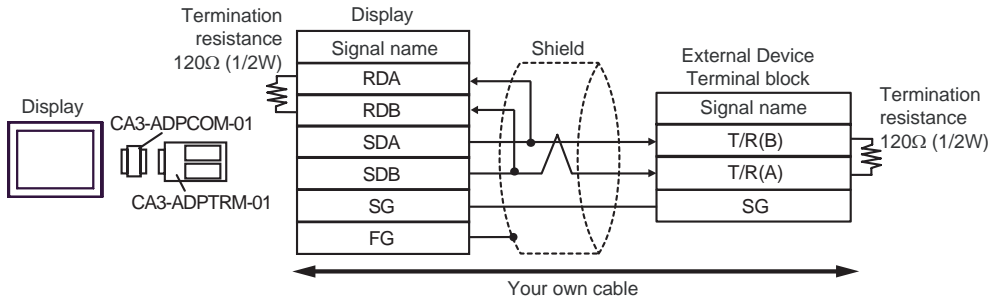
*2 All GP models except GP-3200 series and AGP-3302B

*3 Only COM3 of PS -3700A (Pentium@4-M) can be used. When use the COM3, set the SIO type of COM3 with Dip switch.

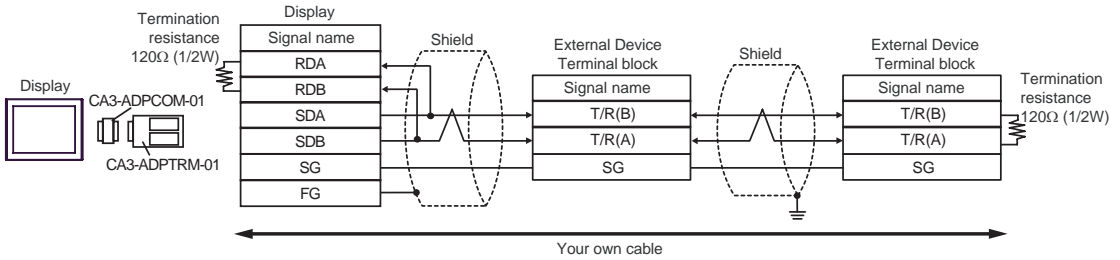
 Dip switch setting: RS-422/485 (2 wire) (page 93)

A) When using the COM port conversion adapter (CA3-ADPCOM-01), the terminal block conversion adapter (CA3-ADPTRM-01) by Pro-face and your own cable

- 1:1 Connection

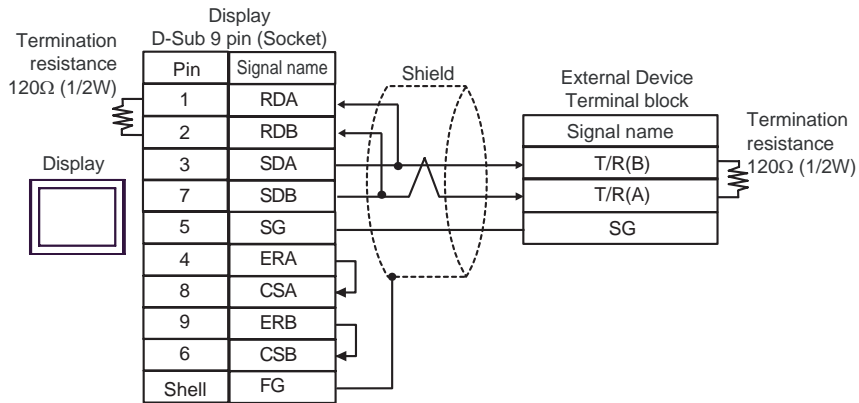


- 1:n Connection

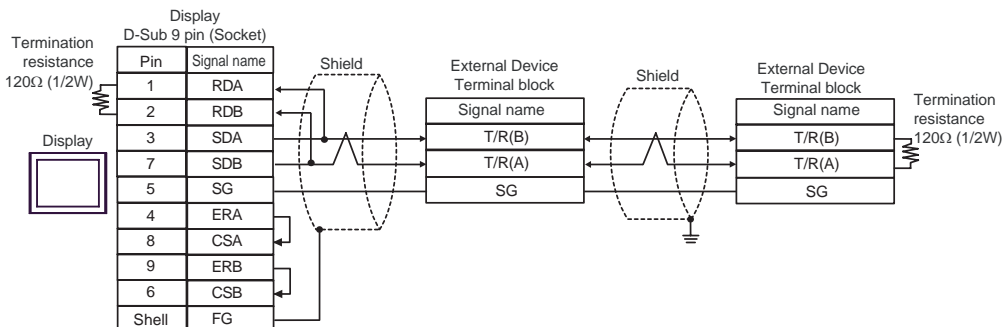


B) When using your own cable

- 1:1 Connection

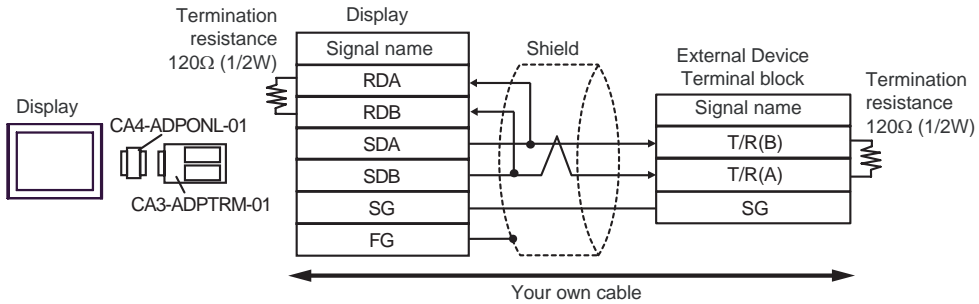


- 1:n Connection

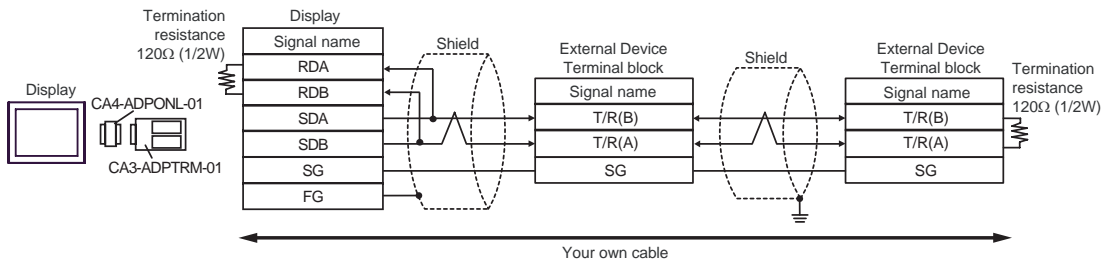


C) When using the online adapter (CA4-ADPONL-01), the terminal block conversion adapter (CA3-ADPTRM-01) by Pro-face and your own cable

- 1:1 Connection

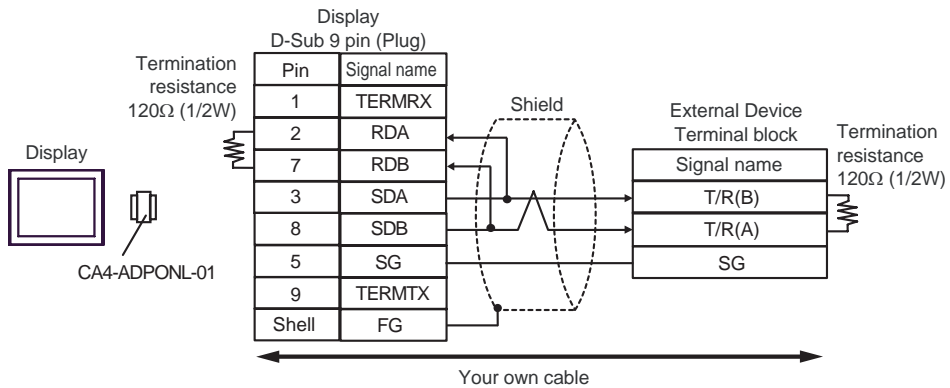


- 1:n Connection

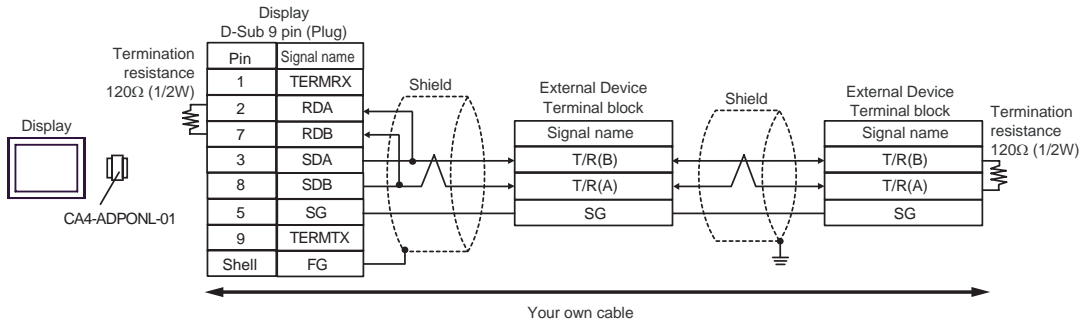


D) When using the online adapter (CA4-ADPONL-01) by Pro-face and your own cable

- 1:1 Connection

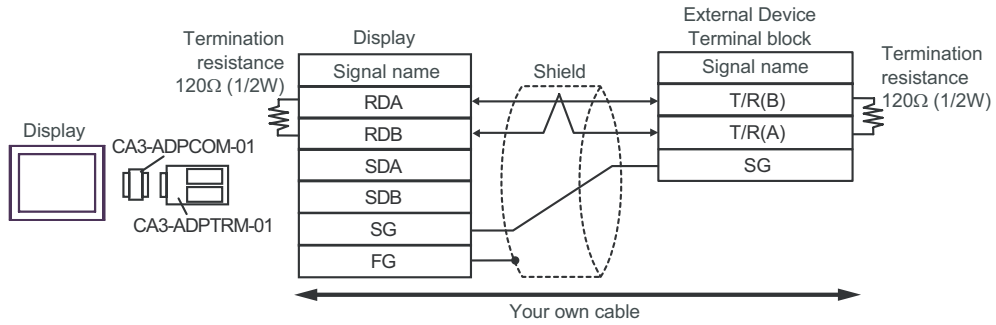


- 1:n Connection

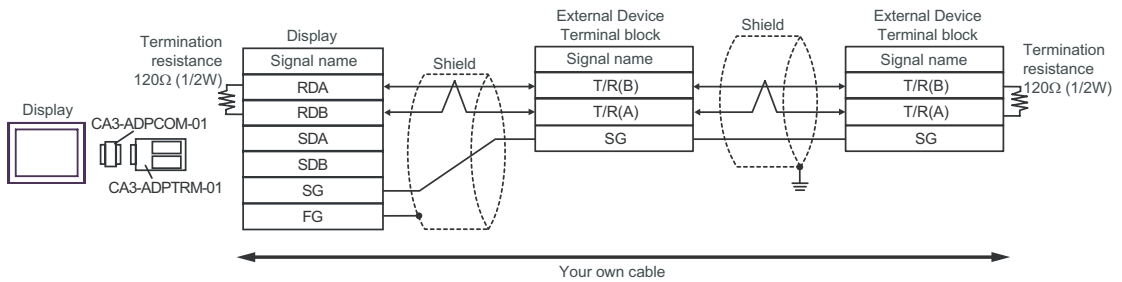


E) When using the COM port conversion adapter (CA3-ADPCOM-01), the terminal block conversion adapter (CA3-ADPTRM-01) by Pro-face and your own cable

- 1:1 Connection

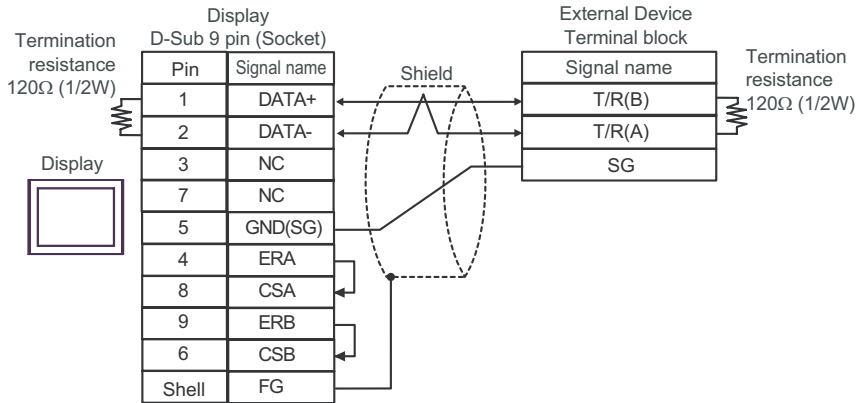


- 1:n Connection

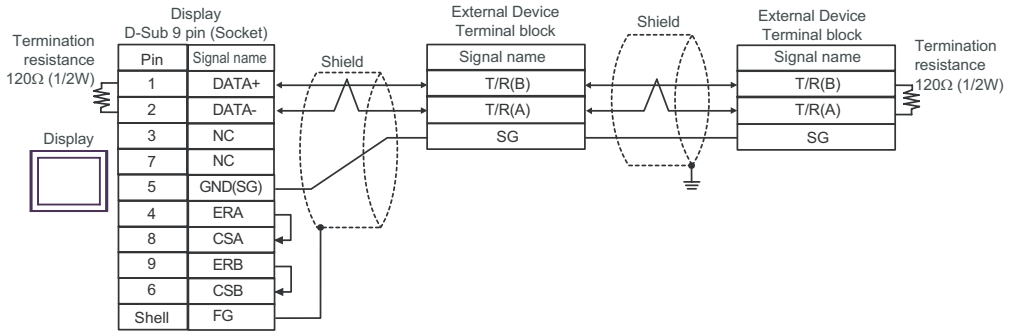


F) When using your own cable

- 1:1 Connection



- 1:n Connection



Cable Diagram 2

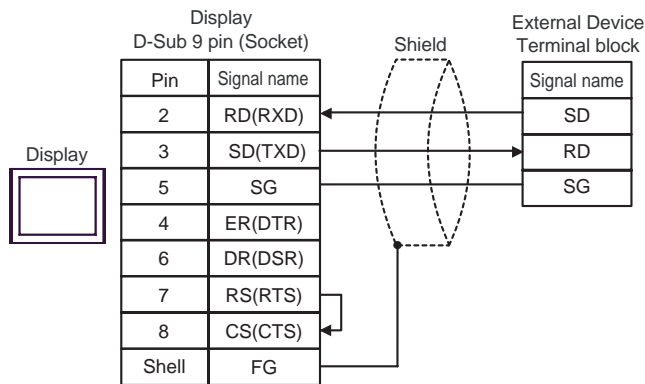
Display (Connection Port)	Cable	Notes
GP (COM1) IPC*1*2	Your own cable	The cable length must be 15m or less.

*1 Usable ports are different by the series.

☞ Usable port (page 92)

*2 When use the COM3 of PS-3700A (Pentium®4-M), set the SIO type of COM3 with Dip switch.

☞ Dip switch setting: RS-232C (page 92)



Cable Diagram 3

Display (Connection Port)	Cable		Notes
GP* ¹ (COM1) AGP-3302B (COM2) IPC* ² (COM3)	A	COM port conversion adapter by Pro-face CA3-ADPCOM-01 + Terminal block conversion adapter by Pro-face CA3-ADPTRM-01 + Your own cable	The cable length must be 600m or less.
	B	Your own cable	
GP* ³ (COM2)	C	Online adapter by Pro-face CA4-ADPONL-01 + Terminal block conversion adapter by Pro-face CA3-ADPTRM-01 + Your own cable	
	D	Online adapter by Pro-face CA4-ADPONL-01 + Your own cable	

*1 All GP models except AGP-3302B

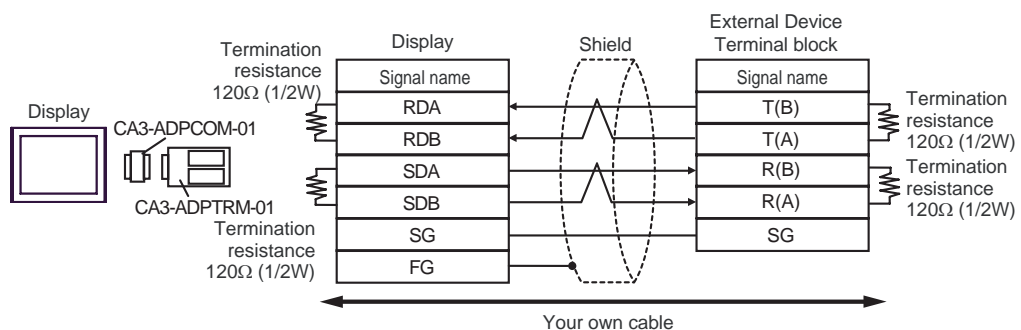
*2 Only COM3 of PS -3700A (Pentium®4-M) can be used. When use the COM3, set the SIO type of COM3 with Dip switch.

☞ Dip switch setting: RS-422/485 (4 wire) (page 93)

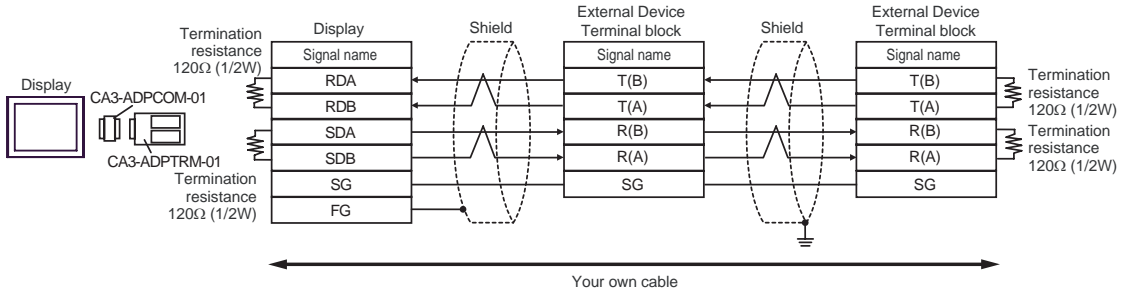
*3 All GP models except GP-3200 series and AGP-3302B

A) When using the COM port conversion adapter (CA3-ADPCOM-01), the terminal block conversion adapter (CA3-ADPTRM-01) by Pro-face and your own cable

- 1:1 Connection

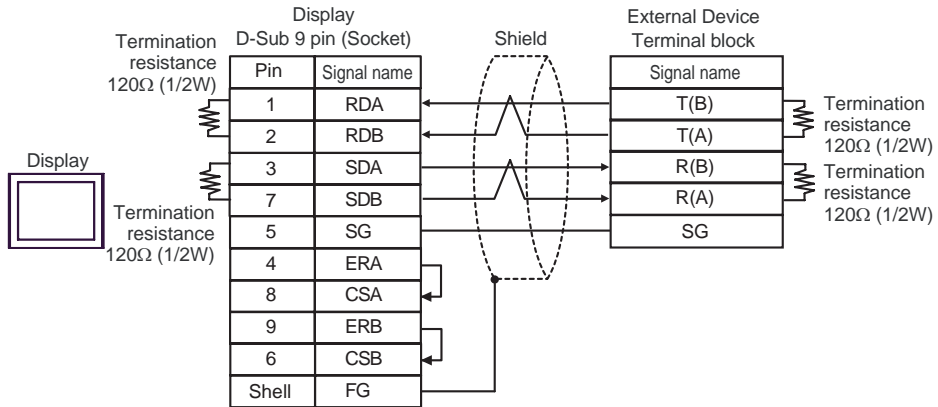


- 1:n Connection

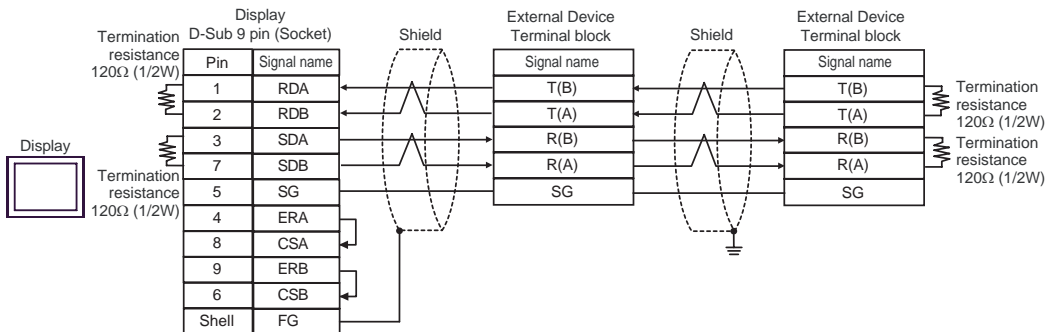


B) When using your own cable

- 1:1 Connection

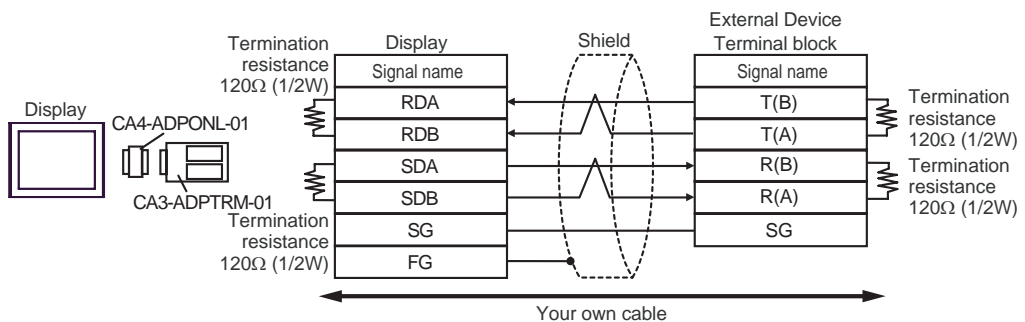


- 1:n Connection

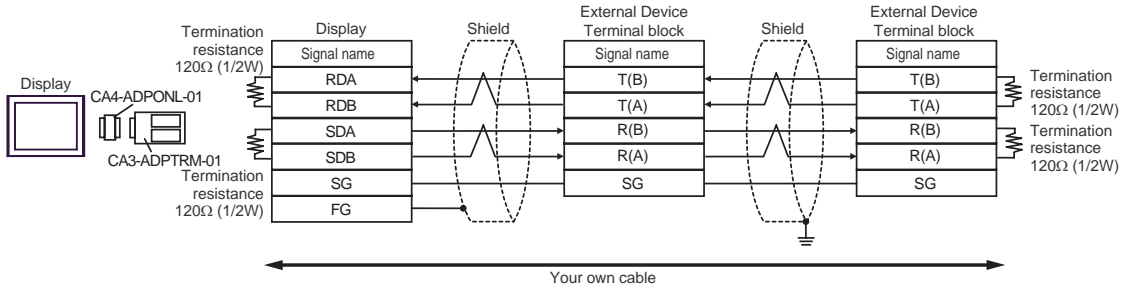


C) When using the online adapter (CA4-ADPONL-01), the terminal block conversion adapter (CA3-ADPTRM-01) by Pro-face and your own cable

- 1:1 Connection

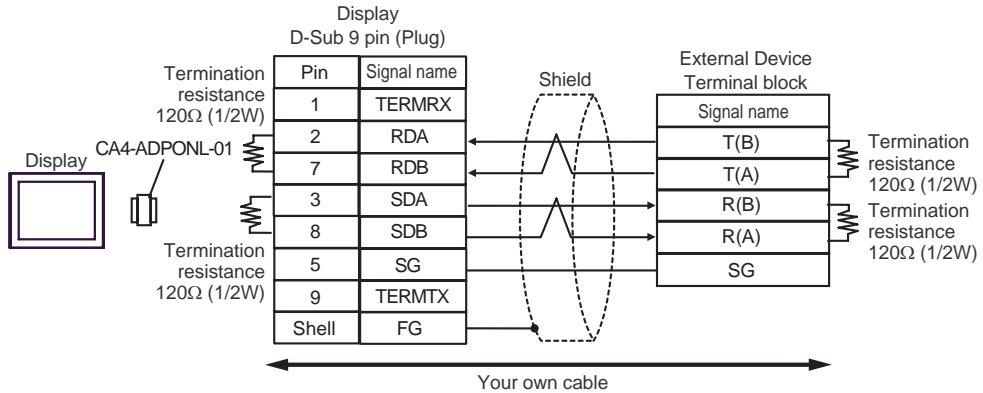


- 1:n Connection

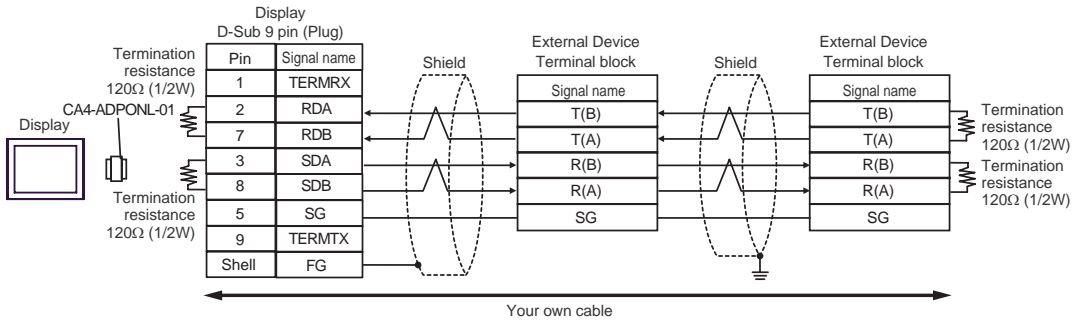


D) When using the online adapter (CA4-ADPONL-01) by Pro-face and your own cable

- 1:1 Connection



- 1:n Connection



Cable Diagram 4

Display (Connection Port)	Cable		Notes
GP* ¹ (COM1) AGP-3302B (COM2) IPC* ² (COM3)	A	COM port conversion adapter by Pro-face CA3-ADPCOM-01 + Terminal block conversion adapter by Pro-face CA3-ADPTRM-01 + Your own cable	The cable length must be 5m or less.
	B	Your own cable	
GP* ³ (COM2)	C	Online adapter by Pro-face CA4-ADPONL-01 + Terminal block conversion adapter by Pro-face CA3-ADPTRM-01 + Your own cable	
	D	Online adapter by Pro-face CA4-ADPONL-01 + Your own cable	

*1 All GP models except AGP-3302B

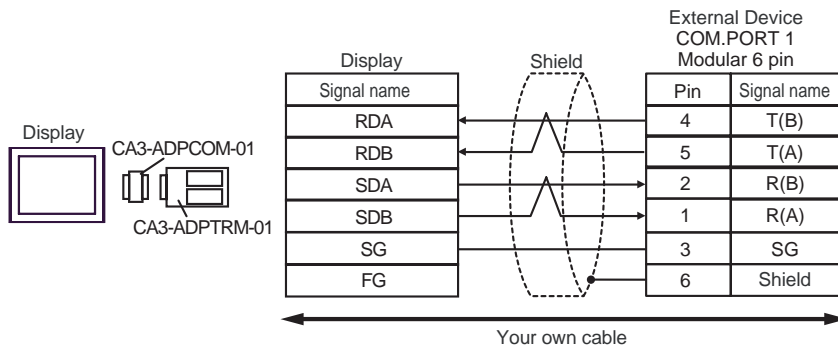
*2 Only COM3 of PS -3700A (Pentium®4-M) can be used. When use the COM3, set the SIO type of COM3 with Dip switch.

☞ Dip switch setting: RS-422/485 (4 wire) (page 93)

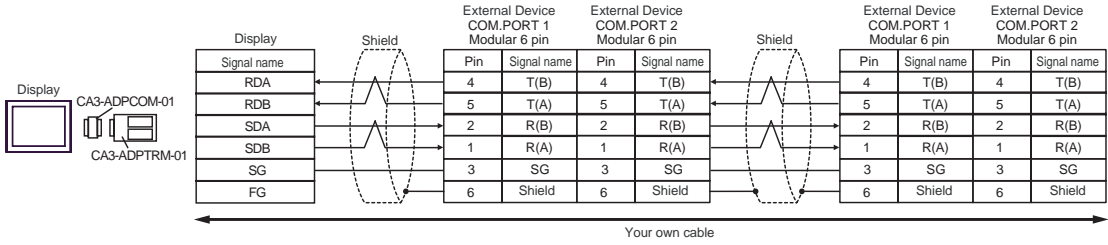
*3 All GP models except GP-3200 series and AGP-3302B

A) When using the COM port conversion adapter (CA3-ADPCOM-01), the terminal block conversion adapter (CA3-ADPTRM-01) by Pro-face and your own cable

- 1:1 Connection



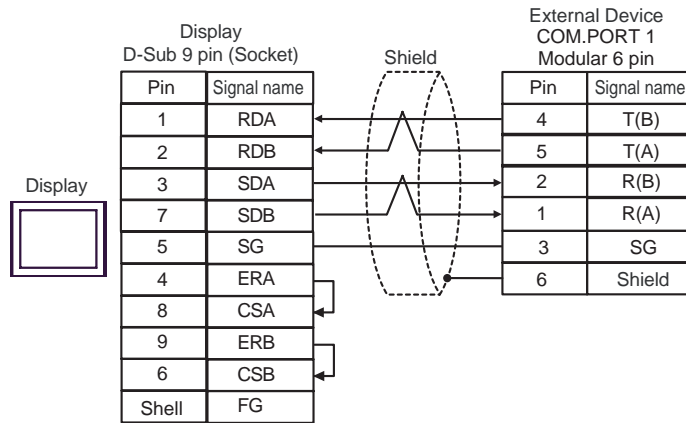
• 1:n Connection



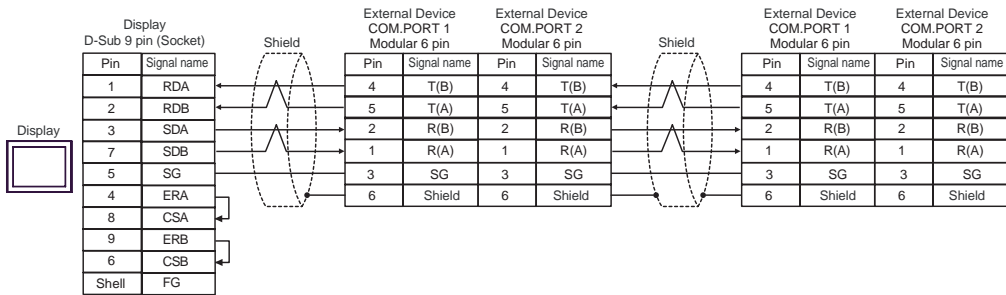
NOTE • Terminal resistance is not required.

B) When using your own cable

• 1:1 Connection



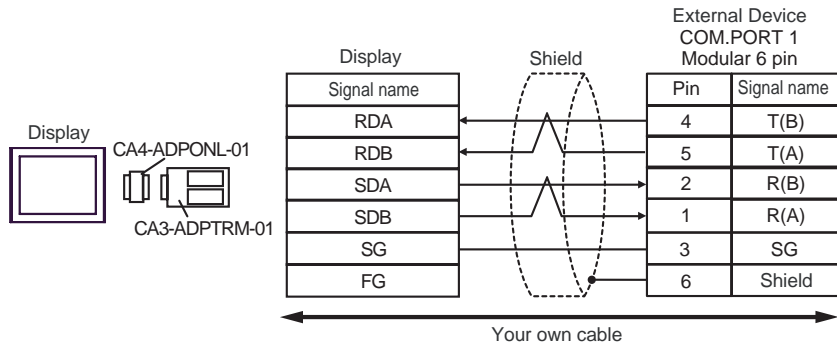
• 1:n Connection



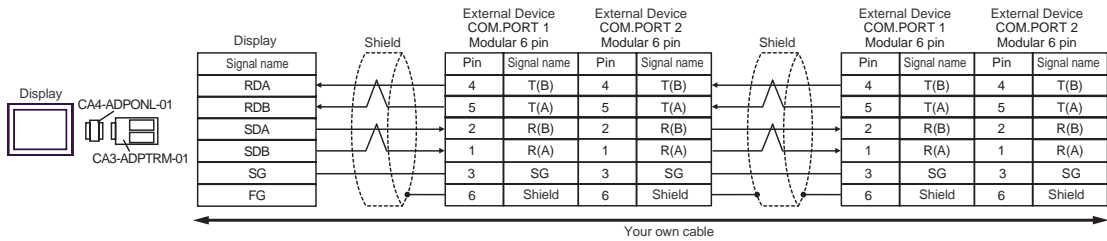
NOTE • Terminal resistance is not required.

C) When using the online adapter (CA4-ADPONL-01), the terminal block conversion adapter (CA3-ADPTRM-01) by Pro-face and your own cable

- 1:1 Connection



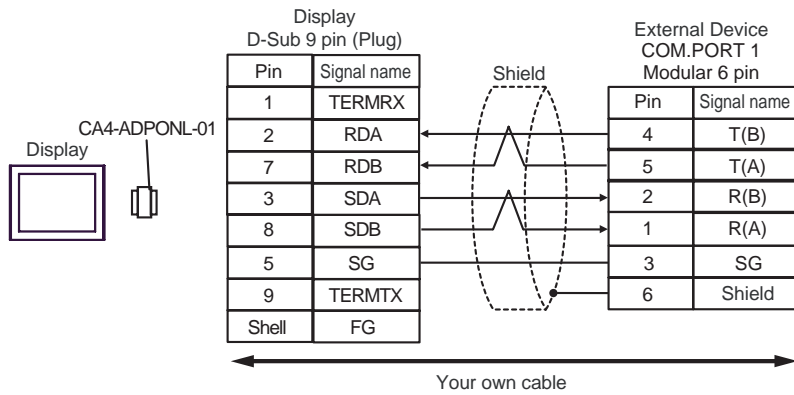
- 1:n Connection



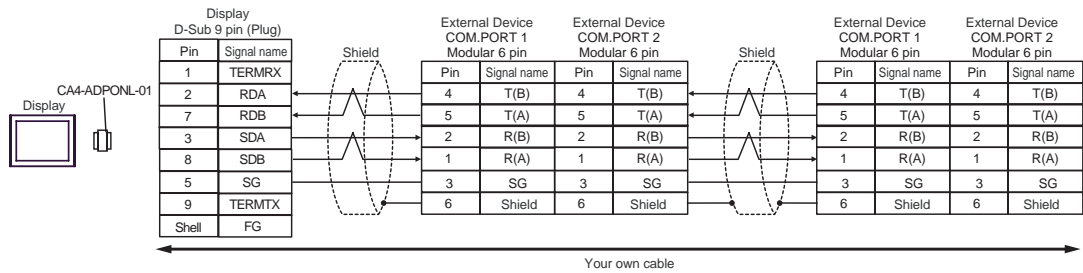
NOTE • Terminal resistance is not required.

D) When using the online adapter (CA4-ADPONL-01) by Pro-face and your own cable

- 1:1 Connection



- 1:n Connection



NOTE • Terminal resistance is not required.


Cable Diagram 5

Display (Connection Port)	Cable		Notes
GP* ¹ (COM1) AGP-3302B (COM2)	A	COM port conversion adapter by Pro-face CA3-ADPCOM-01 + Terminal block conversion adapter by Pro-face CA3-ADPTRM-01 + Your own cable	The cable length must be 5m or less.
	B	Your own cable	
GP* ² (COM2)	C	Online adapter by Pro-face CA4-ADPONL-01 + Terminal block conversion adapter by Pro-face CA3-ADPTRM-01 + Your own cable	
	D	Online adapter by Pro-face CA4-ADPONL-01 + Your own cable	
IPC* ³ (COM3)	E	COM port conversion adapter by Pro-face CA3-ADPCOM-01 + Terminal block conversion adapter by Pro-face CA3-ADPTRM-01 + Your own cable	
	F	Your own cable	

*1 All GP models except AGP-3302B

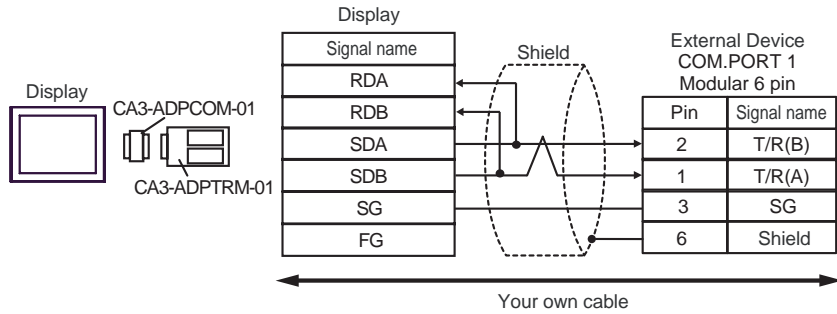
*2 All GP models except GP-3200 series and AGP-3302B

*3 Only COM3 of PS -3700A (Pentium®4-M) can be used. When use the COM3, set the SIO type of COM3 with Dip switch.

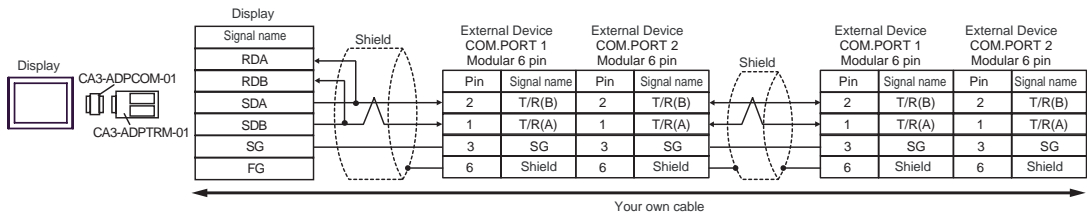
 Dip switch setting: RS-422/485 (2 wire) (page 93)

A) When using the COM port conversion adapter (CA3-ADPCOM-01), the terminal block conversion adapter (CA3-ADPTRM-01) by Pro-face and your own cable

- 1:1 Connection



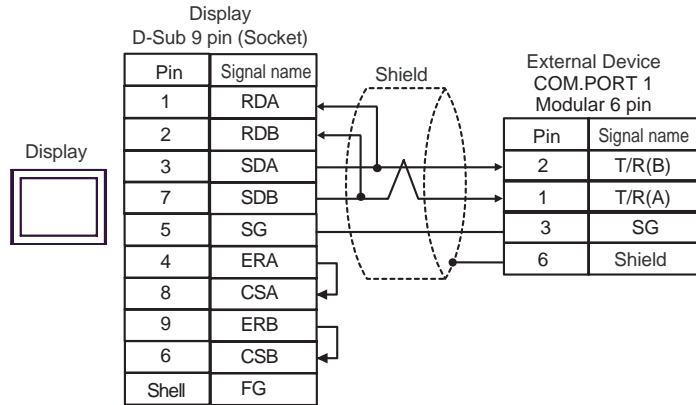
- 1:n Connection



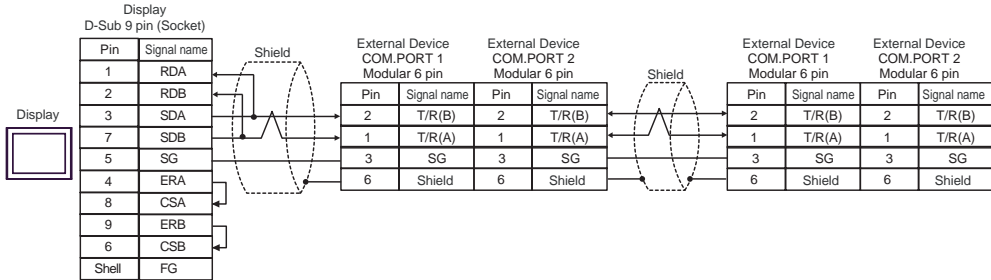
NOTE • Terminal resistance is not required.

B) When using your own cable

- 1:1 Connection



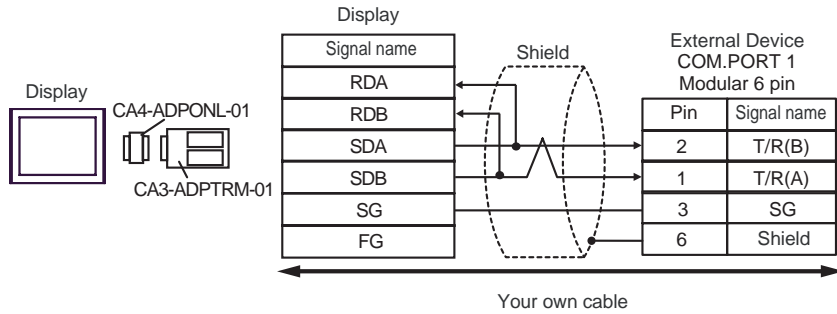
- 1:n Connection



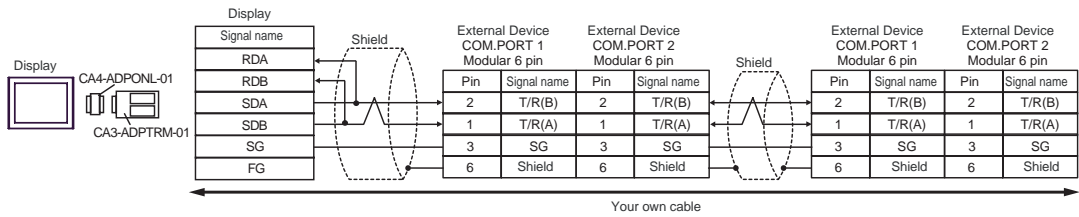
NOTE • Terminal resistance is not required.

C) When using the online adapter (CA4-ADPONL-01), the terminal block conversion adapter (CA3-ADPTRM-01) by Pro-face and your own cable

- 1:1 Connection



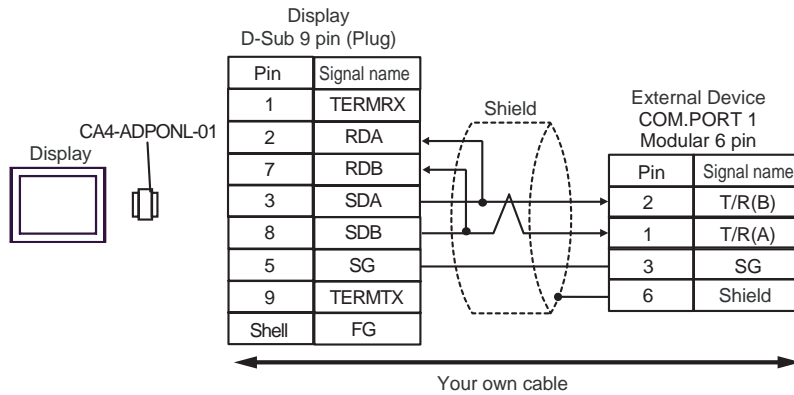
- 1:n Connection



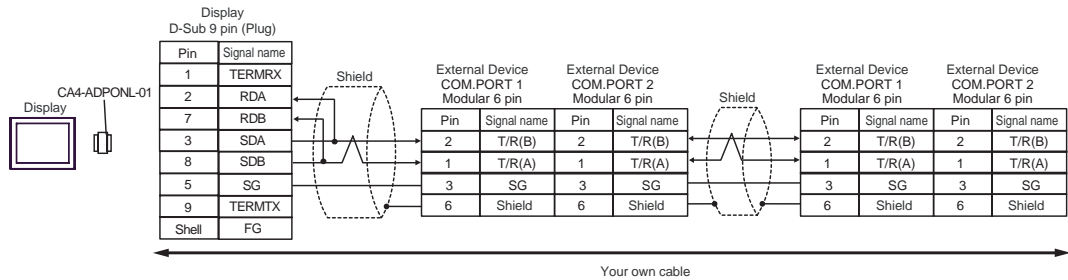
NOTE • Terminal resistance is not required.

D) When using the online adapter (CA4-ADPONL-01) by Pro-face and your own cable

- 1:1 Connection



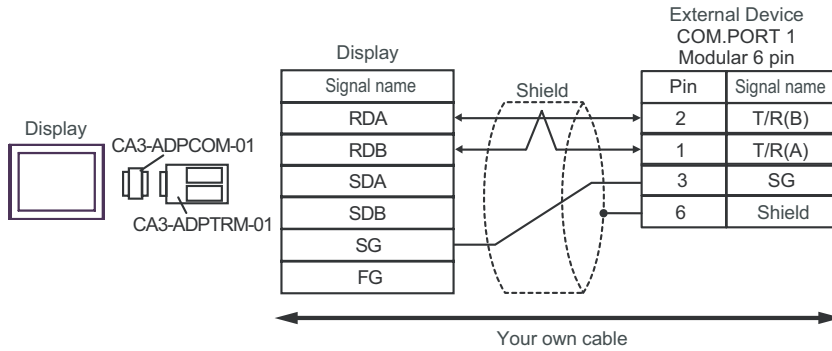
- 1:n Connection



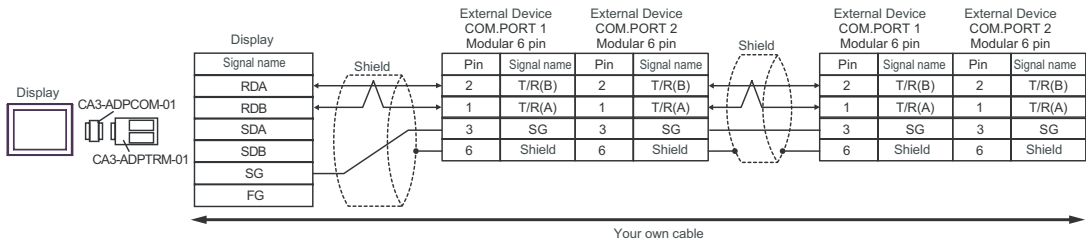
NOTE • Terminal resistance is not required.

E) When using the COM port conversion adapter (CA3-ADPCOM-01), the terminal block conversion adapter (CA3-ADPTRM-01) by Pro-face and your own cable

- 1:1 Connection



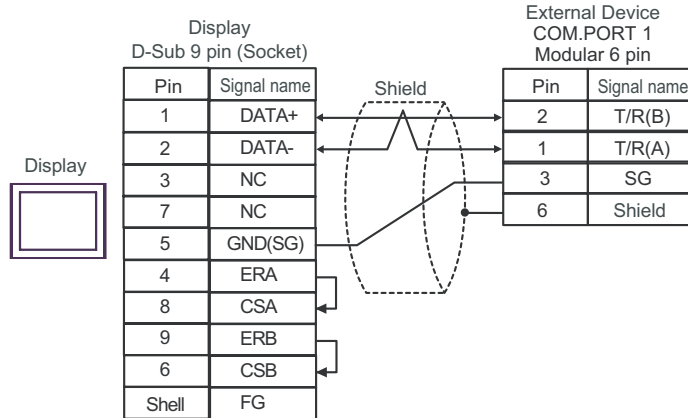
- 1:n Connection



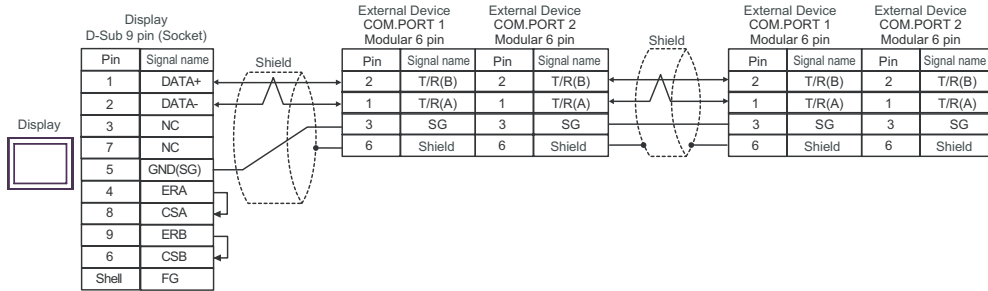
NOTE • Terminal resistance is not required.

F) When using your own cable

- 1:1 Connection



- 1:n Connection



NOTE • Terminal resistance is not required.

Cable Diagram 6

Display (Connection Port)	Cable		Notes
GP*1 (COM1) AGP-3302B (COM2) IPC*2 (COM3)	A	COM port conversion adapter by Pro-face CA3-ADPCOM-01 + Terminal block conversion adapter by Pro-face CA3-ADPTRM-01 + Your own cable	The cable length must be 5m or less.
	B	Your own cable	
GP*3 (COM2)	C	Online adapter by Pro-face CA4-ADPONL-01 + Terminal block conversion adapter by Pro-face CA3-ADPTRM-01 + Your own cable	
	D	Online adapter by Pro-face CA4-ADPONL-01 + Your own cable	

*1 All GP models except AGP-3302B

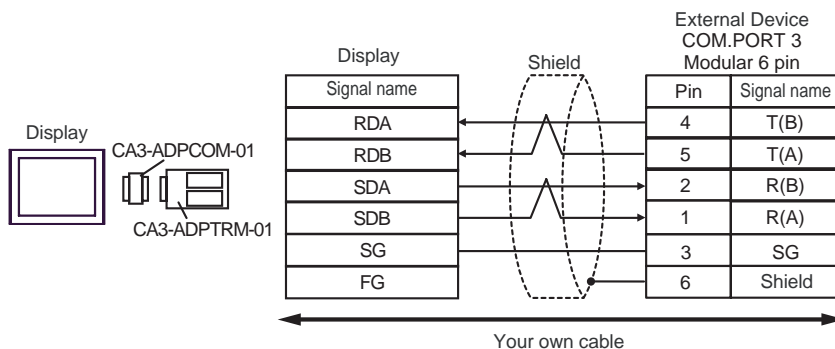
*2 Only COM3 of PS -3700A (Pentium@4-M) can be used. When use the COM3, set the SIO type of COM3 with Dip switch.

☞ Dip switch setting: RS-422/485 (4 wire) (page 93)

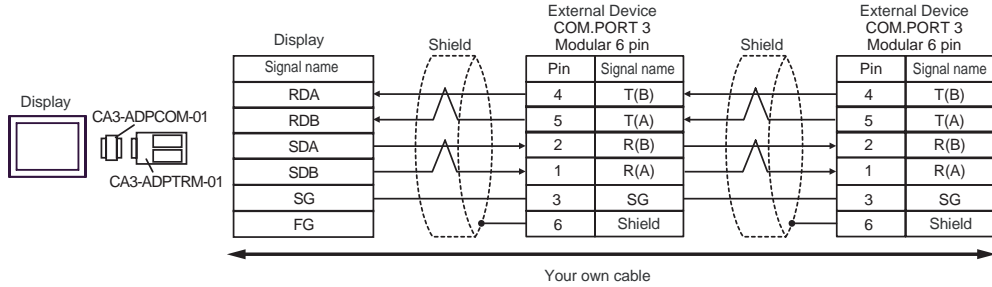
*3 All GP models except GP-3200 series and AGP-3302B

A) When using the COM port conversion adapter (CA3-ADPCOM-01), the terminal block conversion adapter (CA3-ADPTRM-01) by Pro-face and your own cable

- 1:1 Connection



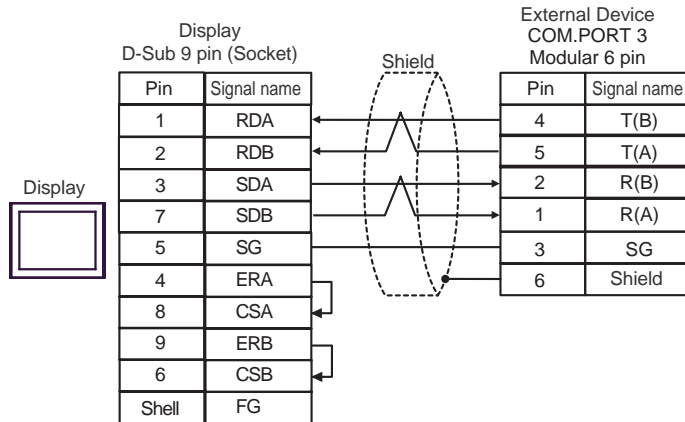
- 1:n Connection



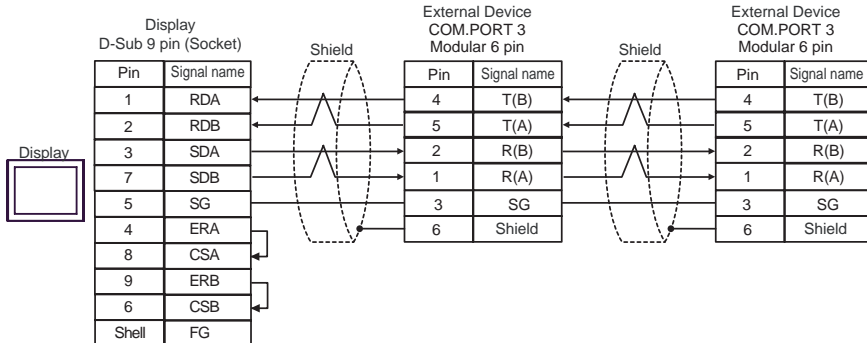
NOTE • Terminal resistance is not required.

B) When using your own cable

- 1:1 Connection



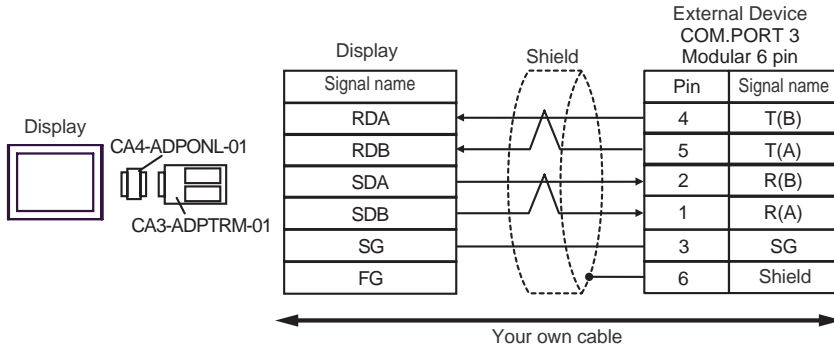
- 1:n Connection



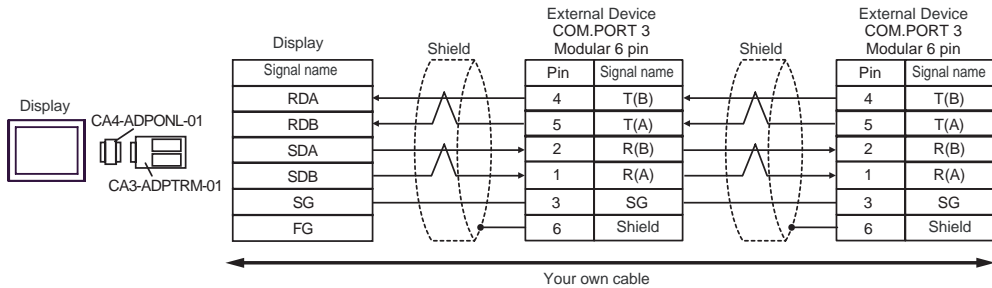
NOTE • Terminal resistance is not required.

C) When using the online adapter (CA4-ADPONL-01), the terminal block conversion adapter (CA3-ADPTRM-01) by Pro-face and your own cable

- 1:1 Connection



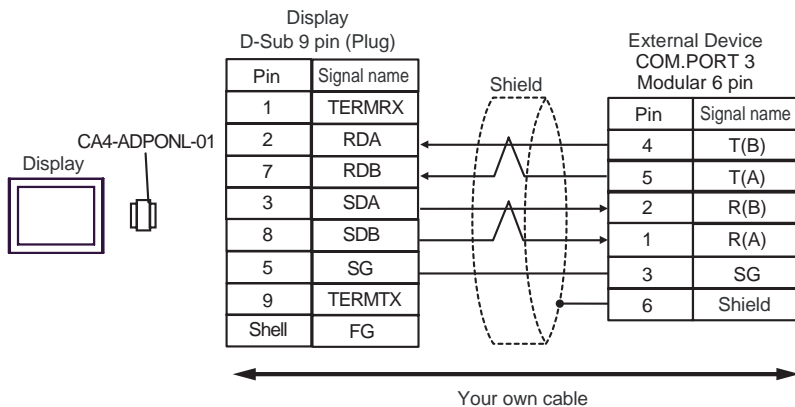
- 1:n Connection



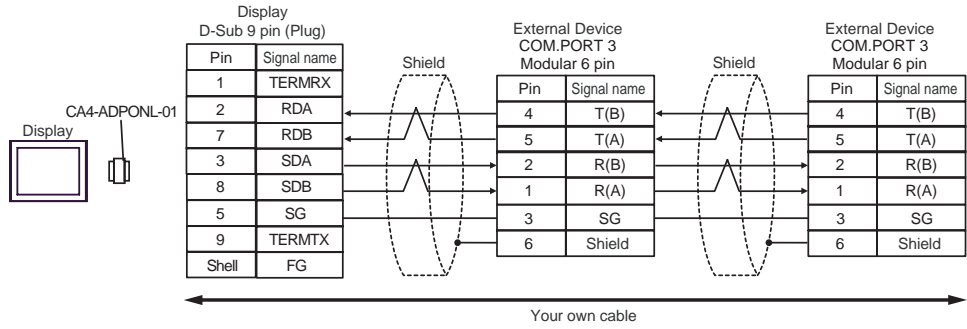
NOTE • Terminal resistance is not required.

D) When using the online adapter (CA4-ADPONL-01) by Pro-face and your own cable

- 1:1 Connection



- 1:n Connection



NOTE • Terminal resistance is not required.


Cable Diagram 7

Display (Connection Port)	Cable		Notes
GP* ¹ (COM1) AGP-3302B (COM2)	A	COM port conversion adapter by Pro-face CA3-ADPCOM-01 + Terminal block conversion adapter by Pro-face CA3-ADPTRM-01 + Your own cable	The cable length must be 5m or less.
	B	Your own cable	
GP* ² (COM2)	C	Online adapter by Pro-face CA4-ADPONL-01 + Terminal block conversion adapter by Pro-face CA3-ADPTRM-01 + Your own cable	
	D	Online adapter by Pro-face CA4-ADPONL-01 + Your own cable	
IPC* ³ (COM3)	E	COM port conversion adapter by Pro-face CA3-ADPCOM-01 + Terminal block conversion adapter by Pro-face CA3-ADPTRM-01 + Your own cable	
	F	Your own cable	

*1 All GP models except AGP-3302B

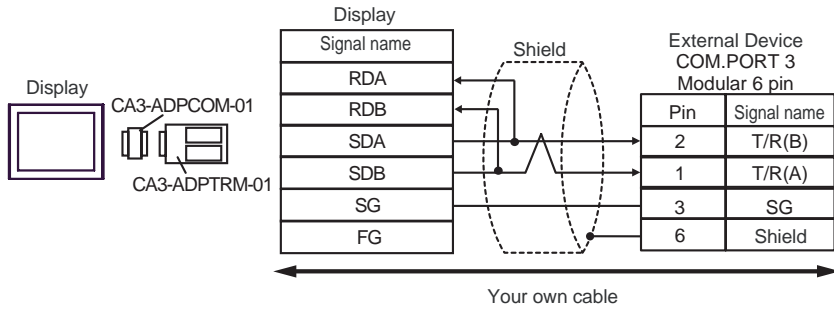
*2 All GP models except GP-3200 series and AGP-3302B

*3 Only COM3 of PS -3700A (Pentium@4-M) can be used. When use the COM3, set the SIO type of COM3 with Dip switch.

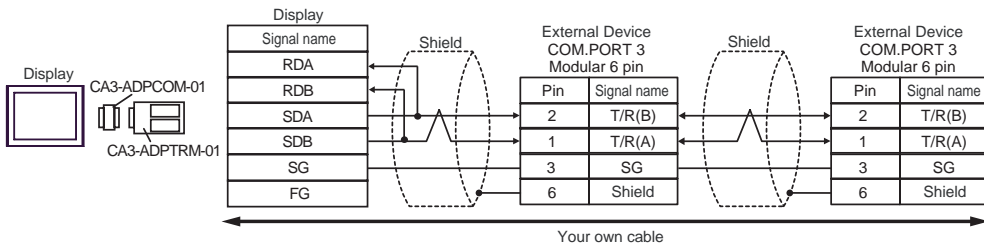
 Dip switch setting: RS-422/485 (2 wire) (page 93)

A) When using the COM port conversion adapter (CA3-ADPCOM-01), the terminal block conversion adapter (CA3-ADPTRM-01) by Pro-face and your own cable

- 1:1 Connection



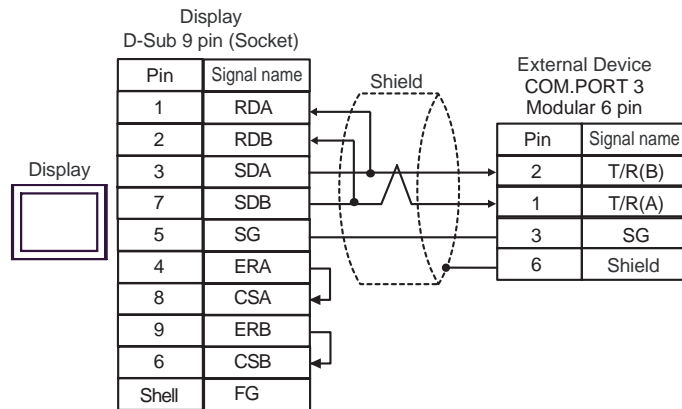
- 1:n Connection



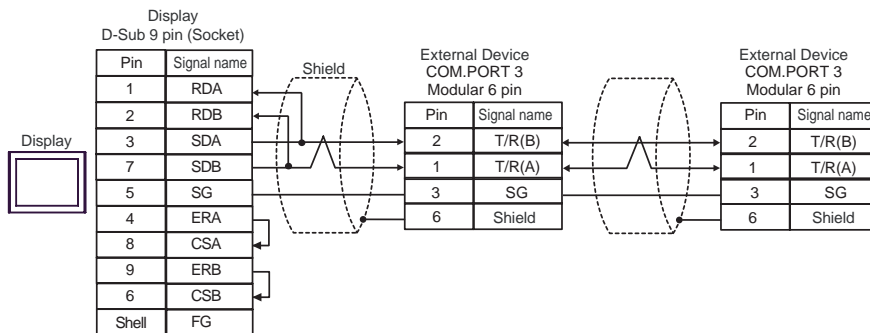
NOTE • Terminal resistance is not required.

B) When using your own cable

- 1:1 Connection



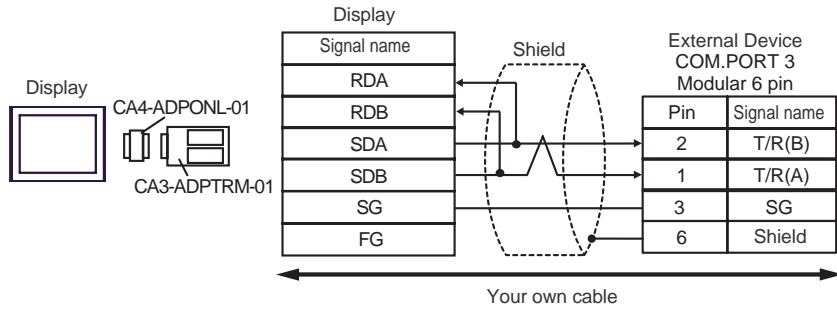
- 1:n Connection



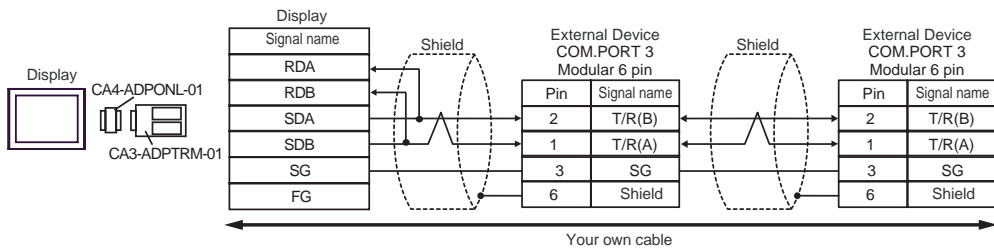
NOTE • Terminal resistance is not required.

C) When using the online adapter (CA4-ADPONL-01), the terminal block conversion adapter (CA3-ADPTRM-01) by Pro-face and your own cable

- 1:1 Connection



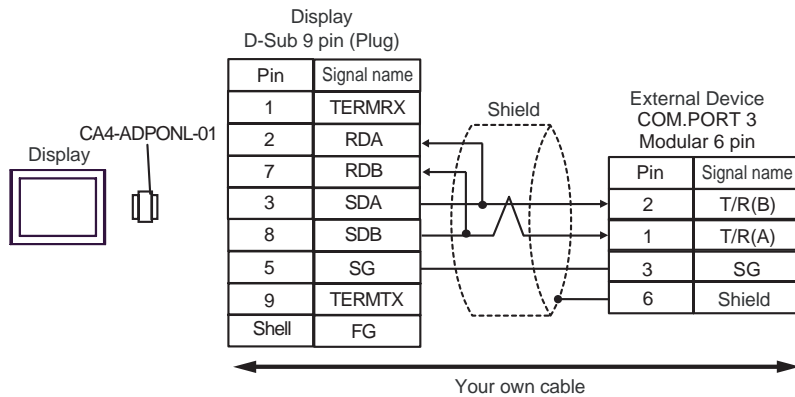
- 1:n Connection



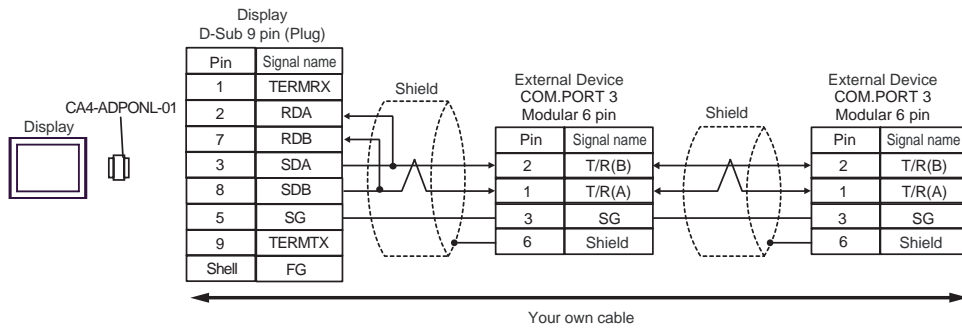
NOTE • Terminal resistance is not required.

D) When using the online adapter (CA4-ADPONL-01) by Pro-face and your own cable

- 1:1 Connection



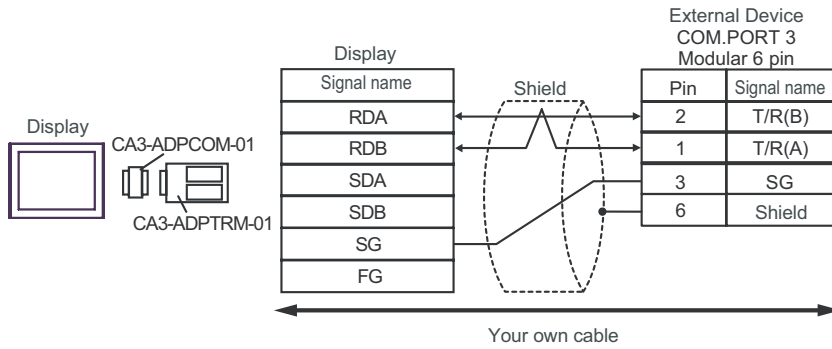
- 1:n Connection



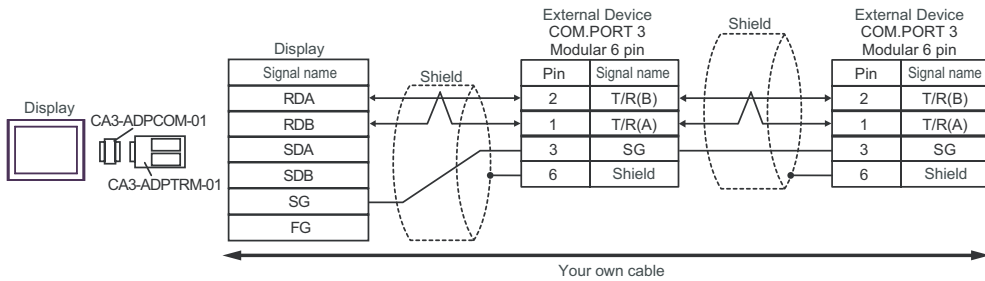
NOTE • Terminal resistance is not required.

E) When using the COM port conversion adapter (CA3-ADPCOM-01), the terminal block conversion adapter (CA3-ADPTRM-01) by Pro-face and your own cable

- 1:1 Connection



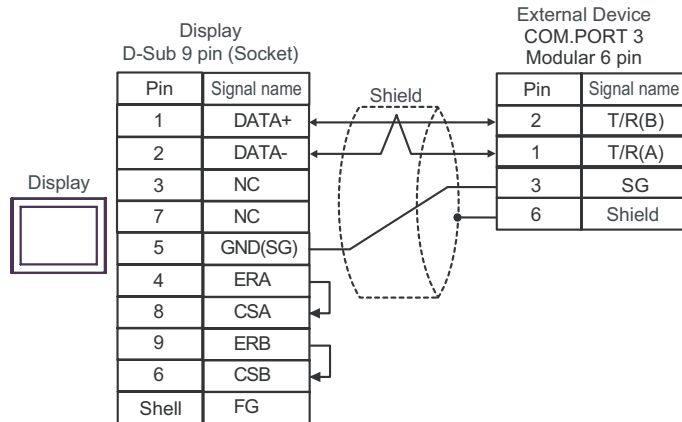
- 1:n Connection



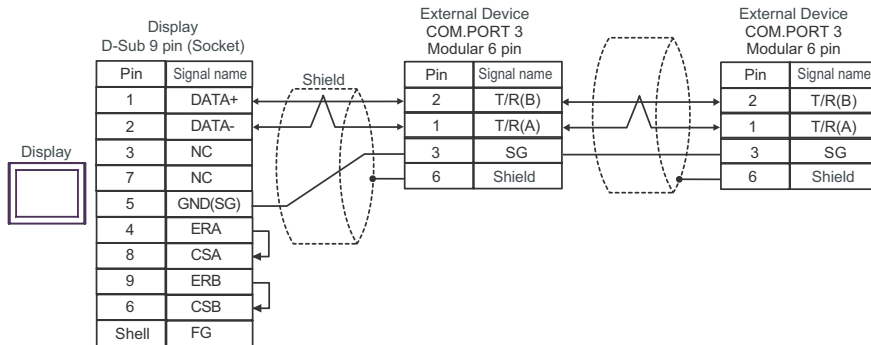
NOTE • Terminal resistance is not required.

F) When using your own cable

- 1:1 Connection



- 1:n Connection




NOTE • Terminal resistance is not required.

Cable Diagram 8

Display (Connection Port)	Cable		Notes
GP ^{*1} (COM1) AGP-3302B (COM2) IPC ^{*2} (COM3)	A	COM port conversion adapter by Pro-face CA3-ADPCOM-01 + Terminal block conversion adapter by Pro-face CA3-ADPTRM-01 + Your own cable	The cable length must be 500m or less.
	B	Your own cable	
GP ^{*3} (COM2)	C	Online adapter by Pro-face CA4-ADPONL-01 + Terminal block conversion adapter by Pro-face CA3-ADPTRM-01 + Your own cable	
	D	Online adapter by Pro-face CA4-ADPONL-01 + Your own cable	

*1 All GP models except AGP-3302B

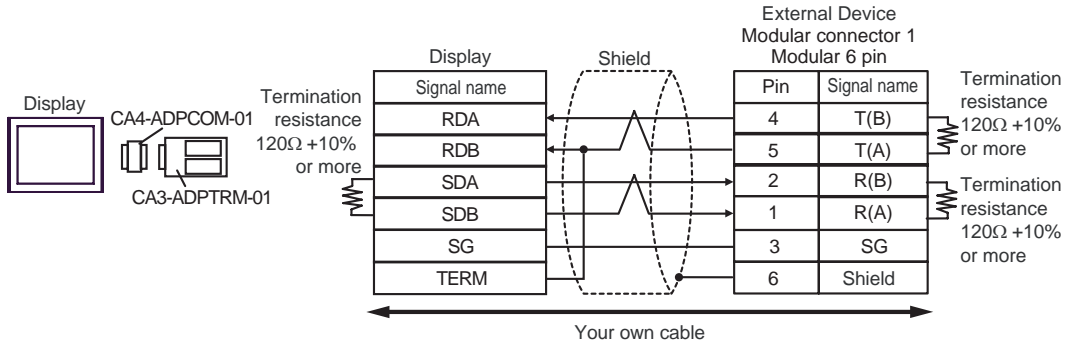
*2 Only COM3 of PS -3700A (Pentium®4-M) can be used. When use the COM3, set the SIO type of COM3 with Dip switch.

 Dip switch setting: RS-422/485 (4 wire) (page 93)

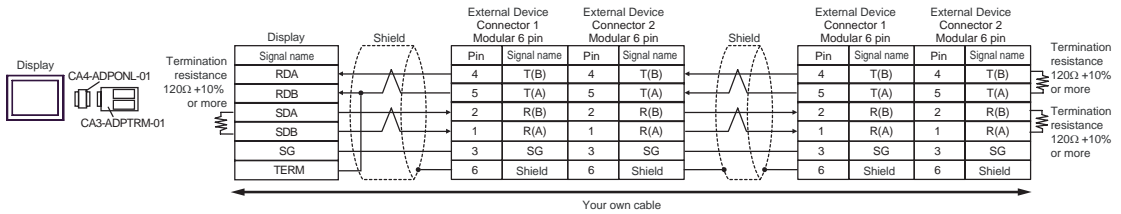
*3 All GP models except GP-3200 series and AGP-3302B

A) When using the COM port conversion adapter (CA3-ADPCOM-01), the terminal block conversion adapter (CA3-ADPTRM-01) by Pro-face and your own cable

- 1:1 Connection

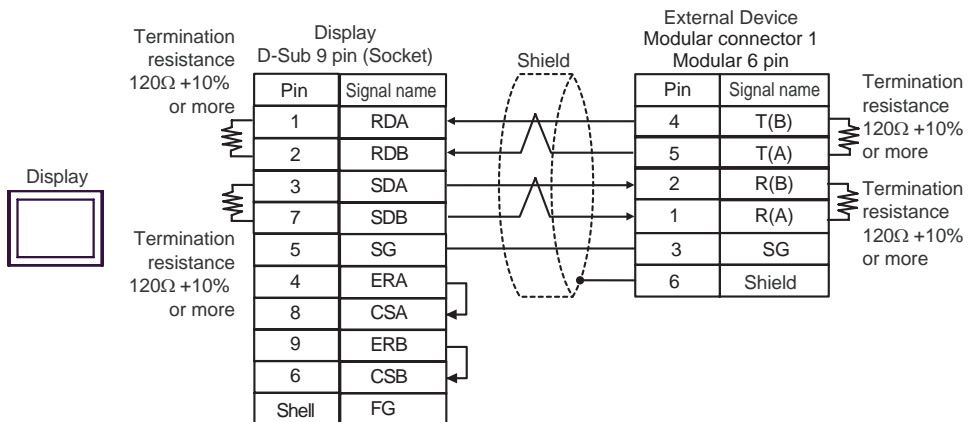


- 1:n Connection

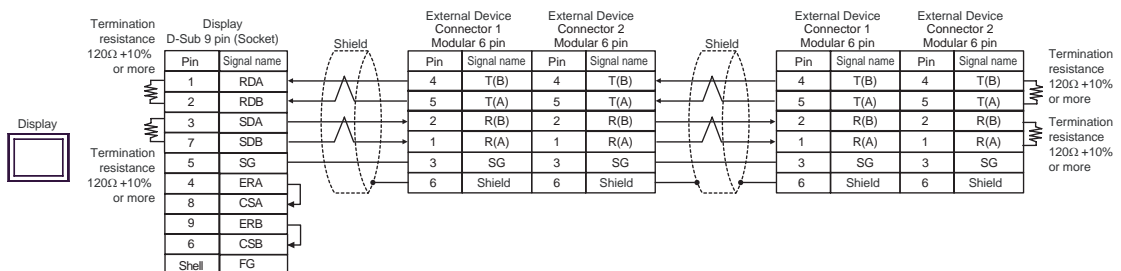


B) When using your own cable

- 1:1 Connection

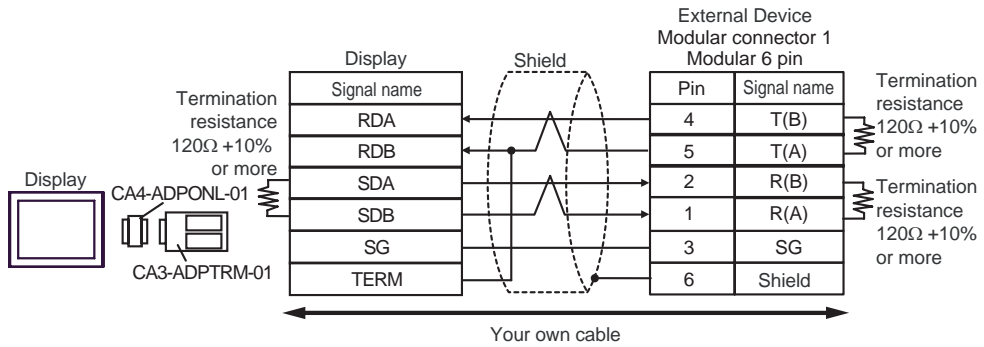


- 1:n Connection

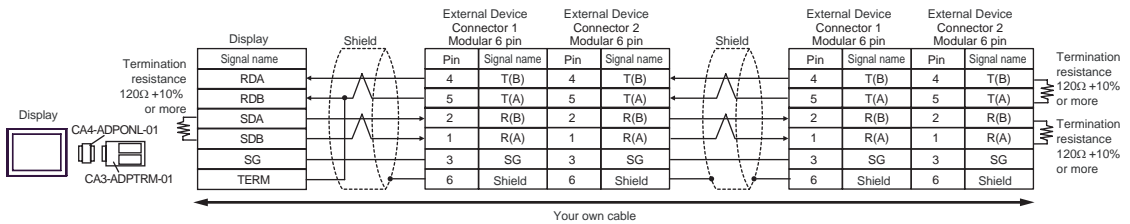


C) When using the online adapter (CA4-ADPONL-01), the terminal block conversion adapter (CA3-ADPTRM-01) by Pro-face and your own cable

- 1:1 Connection

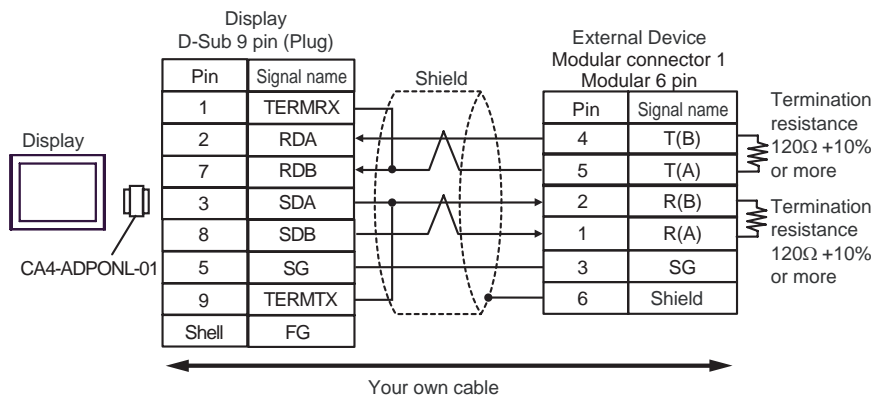


- 1:n Connection

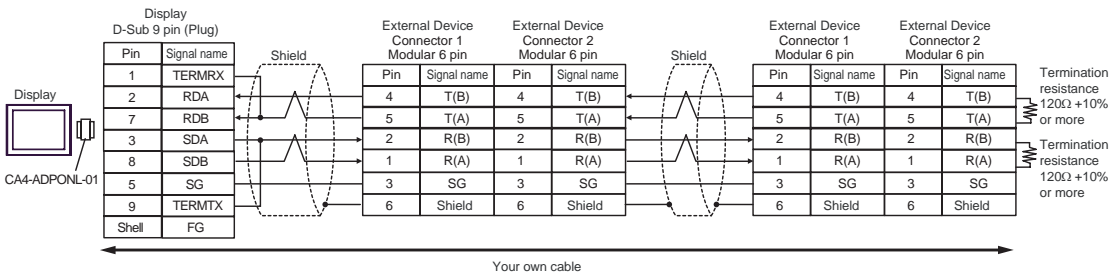


D) When using the online adapter (CA4-ADPONL-01) by Pro-face and your own cable

- 1:1 Connection



- 1:n Connection




Cable Diagram 9

Display (Connection Port)	Cable		Notes
GP*1 (COM1) AGP-3302B (COM2)	A	COM port conversion adapter by Pro-face CA3-ADPCOM-01 + Terminal block conversion adapter by Pro-face CA3-ADPTRM-01 + Your own cable	The cable length must be 600m or less.
	B	Your own cable	
GP*2 (COM2)	C	Online adapter by Pro-face CA4-ADPONL-01 + Terminal block conversion adapter by Pro-face CA3-ADPTRM-01 + Your own cable	
	D	Online adapter by Pro-face CA4-ADPONL-01 + Your own cable	
IPC*3 (COM3)	E	COM port conversion adapter by Pro-face CA3-ADPCOM-01 + Terminal block conversion adapter by Pro-face CA3-ADPTRM-01 + Your own cable	
	F	Your own cable	

*1 All GP models except AGP-3302B

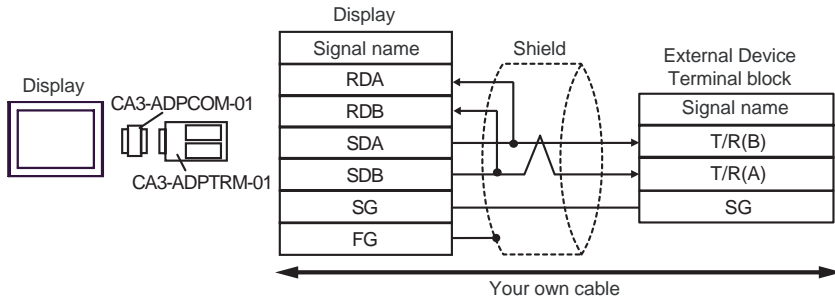
*2 All GP models except GP-3200 series and AGP-3302B

*3 Only COM3 of PS -3700A (Pentium@4-M) can be used. When use the COM3, set the SIO type of COM3 with Dip switch.

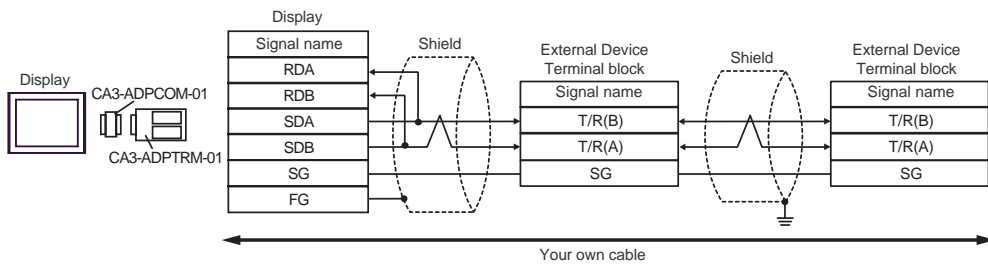
 Dip switch setting: RS-422/485 (2 wire) (page 93)

A) When using the COM port conversion adapter (CA3-ADPCOM-01), the terminal block conversion adapter (CA3-ADPTRM-01) by Pro-face and your own cable

- 1:1 Connection

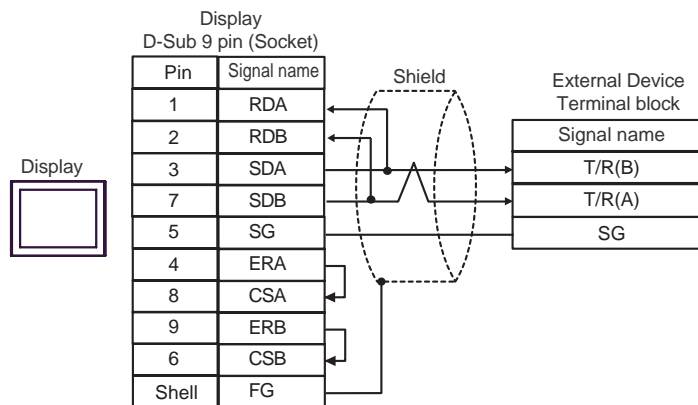


- 1:n Connection

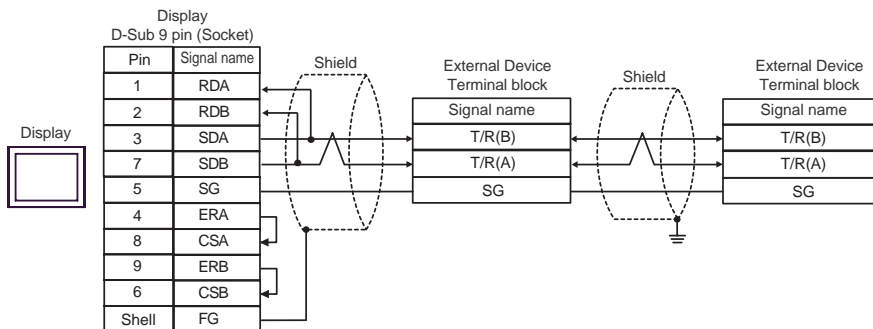


B) When using your own cable

- 1:1 Connection

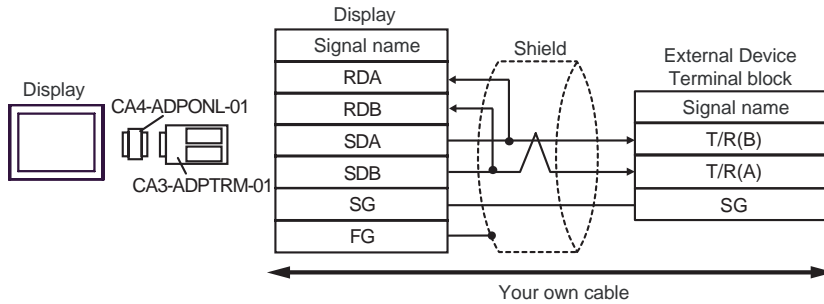


- 1:n Connection

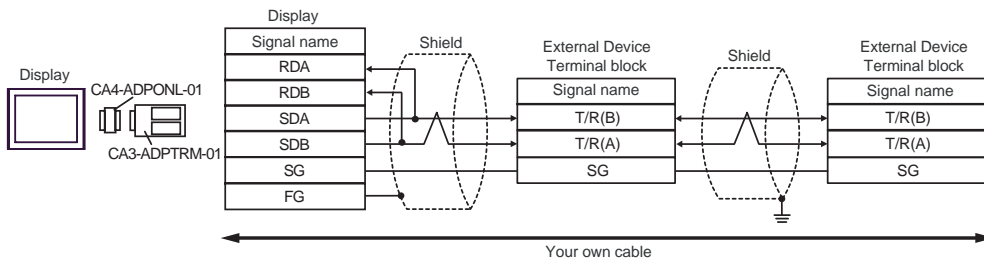


C) When using the online adapter (CA4-ADPONL-01), the terminal block conversion adapter (CA3-ADPTRM-01) by Pro-face and your own cable

- 1:1 Connection

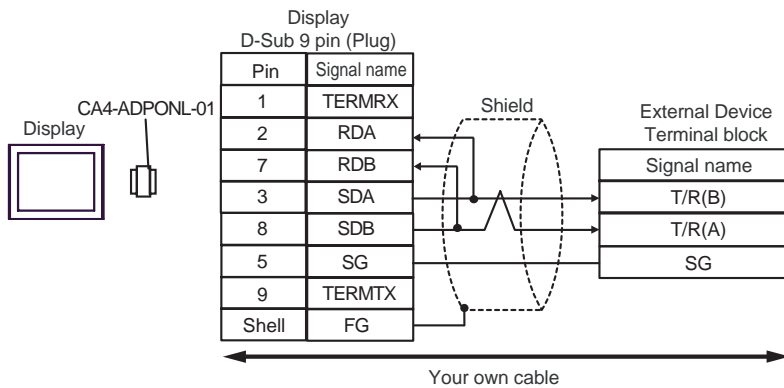


- 1:n Connection

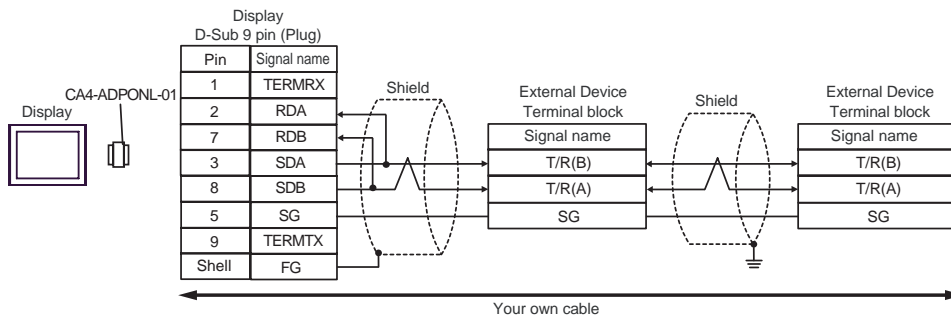


D) When using the online adapter (CA4-ADPONL-01) by Pro-face and your own cable

- 1:1 Connection

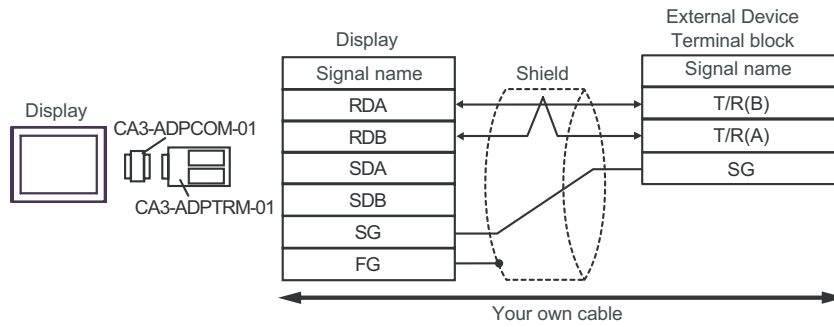


- 1:n Connection

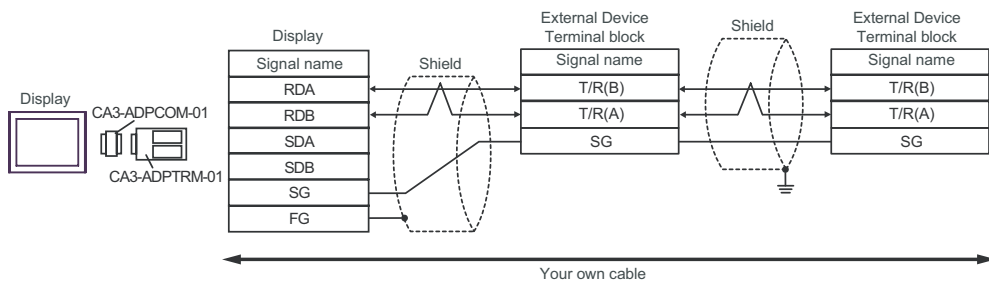


E) When using the COM port conversion adapter (CA3-ADPCOM-01), the terminal block conversion adapter (CA3-ADPTRM-01) by Pro-face and your own cable

- 1:1 Connection

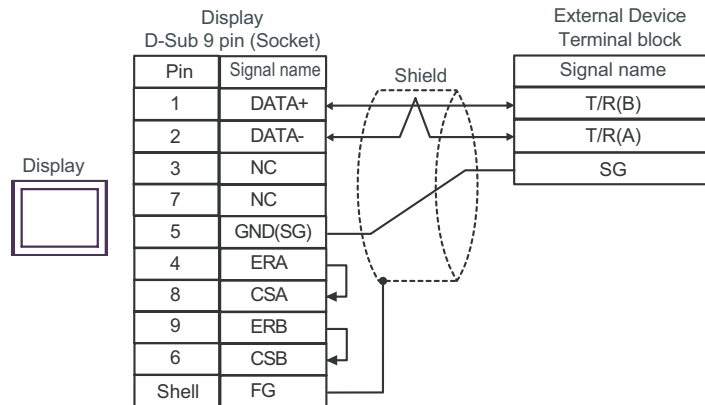


- 1:n Connection

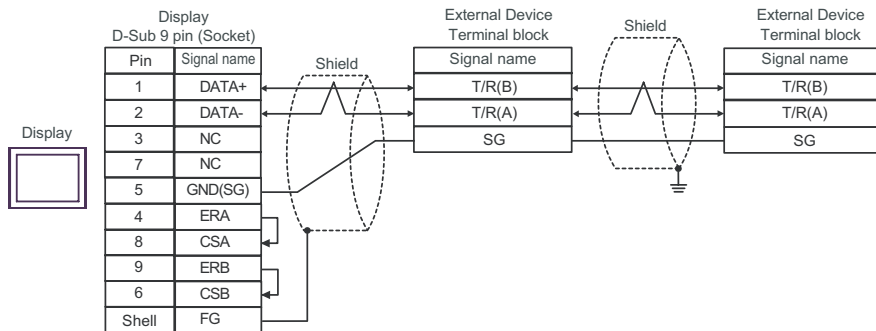


F) When using your own cable

- 1:1 Connection



- 1:n Connection



Cable Diagram 10

Display (Connection Port)	Cable		Notes
GP*1 (COM1) AGP-3302B (COM2) IPC*2 (COM3)	A	COM port conversion adapter by Pro-face CA3-ADPCOM-01 + Terminal block conversion adapter by Pro-face CA3-ADPTRM-01 + Your own cable	The cable length must be 600m or less.
	B	Your own cable	
GP*3 (COM2)	C	Online adapter by Pro-face CA4-ADPONL-01 + Terminal block conversion adapter by Pro-face CA3-ADPTRM-01 + Your own cable	
	D	Online adapter by Pro-face CA4-ADPONL-01 + Your own cable	

*1 All GP models except AGP-3302B

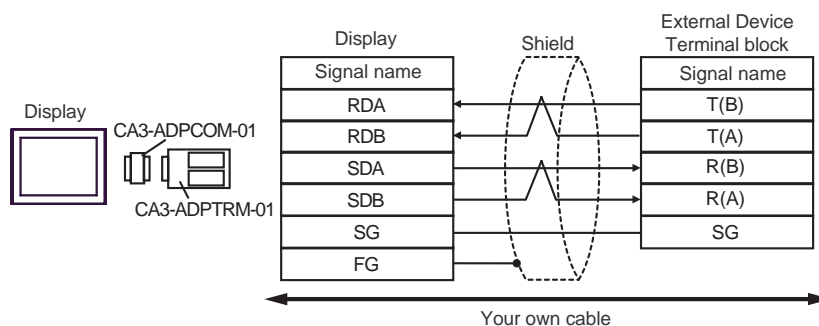
*2 Only COM3 of PS -3700A (Pentium®4-M) can be used. When use the COM3, set the SIO type of COM3 with Dip switch.

☞ Dip switch setting: RS-422/485 (4 wire) (page 93)

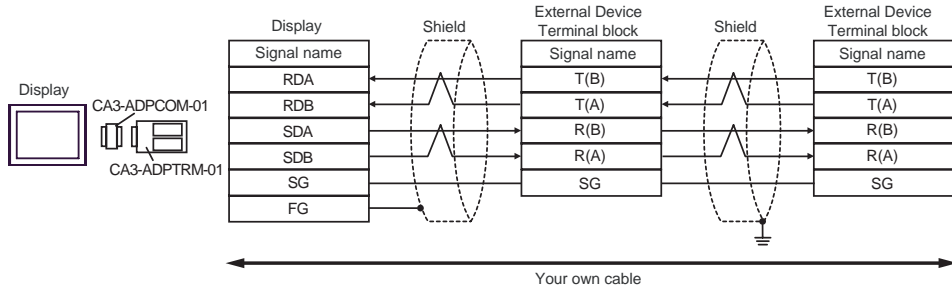
*3 All GP models except GP-3200 series and AGP-3302B

A) When using the COM port conversion adapter (CA3-ADPCOM-01), the terminal block conversion adapter (CA3-ADPTRM-01) by Pro-face and your own cable

- 1:1 Connection

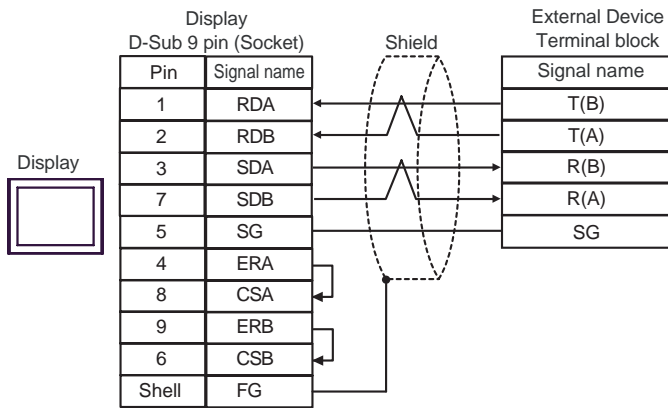


- 1:n Connection

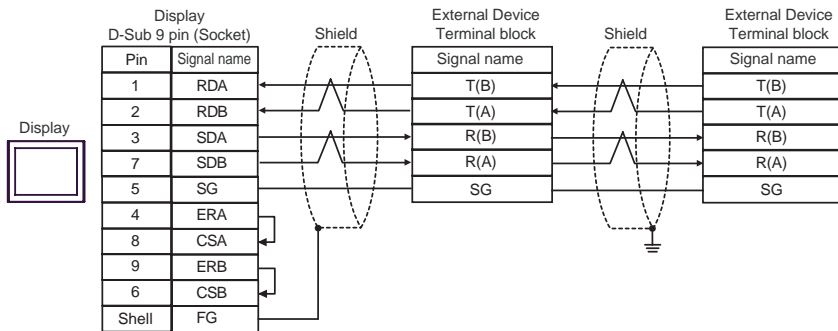


B) When using your own cable

- 1:1 Connection

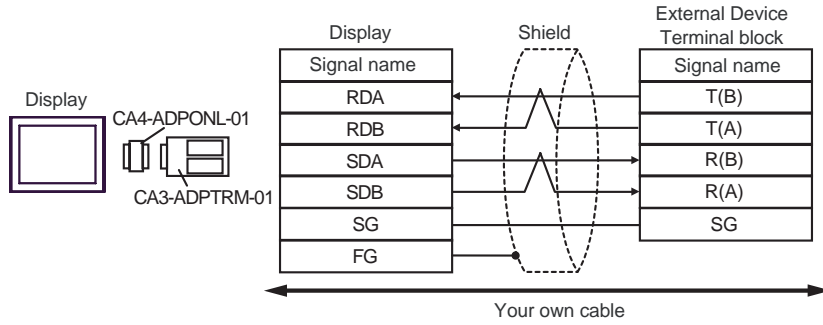


- 1:n Connection

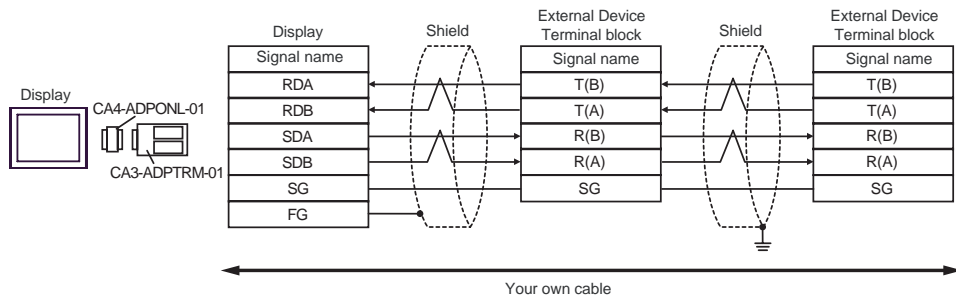


C) When using the online adapter (CA4-ADPONL-01), the terminal block conversion adapter (CA3-ADPTRM-01) by Pro-face and your own cable

- 1:1 Connection

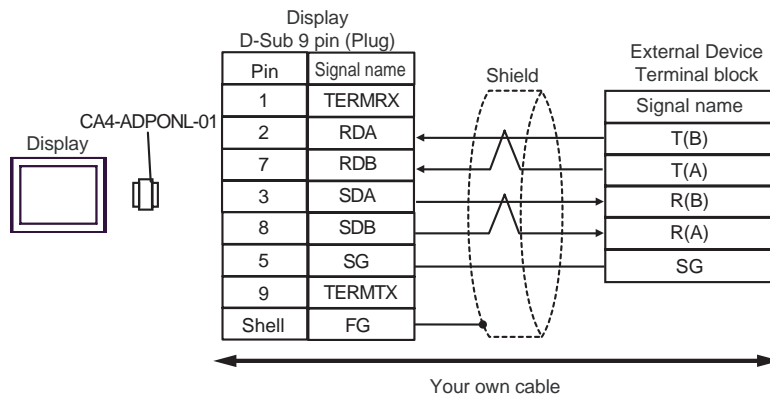


- 1:n Connection

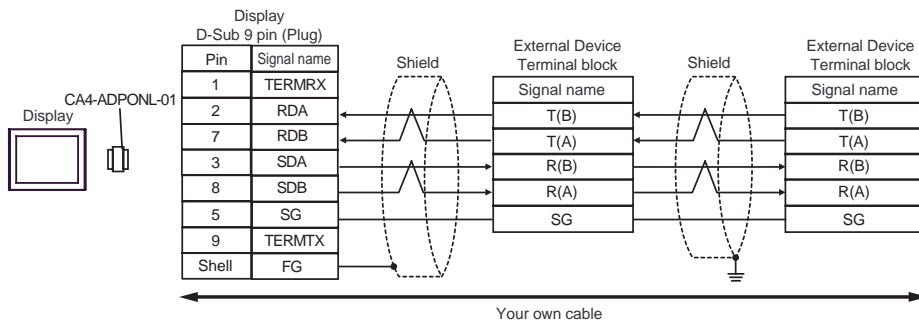


D) When using the online adapter (CA4-ADPONL-01) by Pro-face and your own cable

- 1:1 Connection



- 1:n Connection



Cable Diagram 11

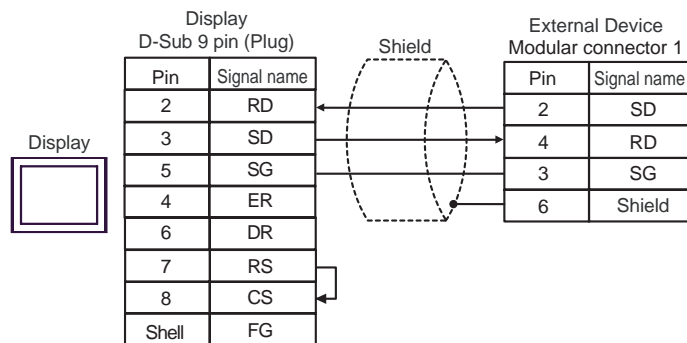
Display (Connection Port)	Cable	Notes
GP (COM1) IPC*1*2	Your own cable	The cable length must be 15m or less.

*1 Usable ports are different by the series.

☞ Usable port (page 92)

*2 When use the COM3 of PS-3700A (Pentium®4-M), set the SIO type of COM3 with Dip switch.

☞ Dip switch setting: RS-232C (page 92)



Cable Diagram 12

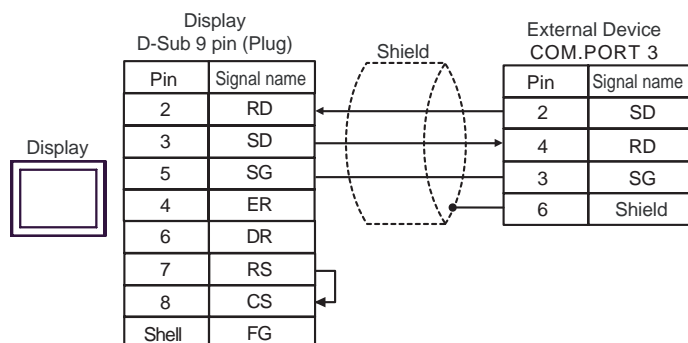
Display (Connection Port)	Cable	Notes
GP (COM1) IPC*1*2	Your own cable	The cable length must be 15m or less.

*1 Usable ports are different by the series.

☞ Usable port (page 92)

*2 When use the COM3 of PS-3700A (Pentium®4-M), set the SIO type of COM3 with Dip switch.

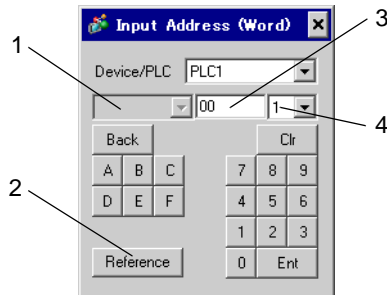
☞ Dip switch setting: RS-232C (page 92)



6 Supported Device

Range of supported device address is shown in the table below. Please note that the actually supported range of the devices varies depending on the External Device to be used. Please check the actual range in the manual of your connecting equipment.

Input address of external device in the dialog below.



- | | |
|-------------------------|--|
| 1. Channel number | Select the channel number of external device.
It can be selected when SR Mini HG(H-PCP-A/B) and SR Mini HG(H-PCP-J) are used. |
| 2. Reference | The list of available identifiers is displayed.
When clicking the identifier to be used and pressing "Select," the address is inputted. |
| 3. Address | Address is set.
Combination of identifier and address differs per external device. Please refer to the list of identifiers. |
| 4. Decimal digit number | Decimal digit number of data is set. |

■ When reading out:

Data read out from the temperature controller are dealt as integral number.

e.g. When the value of temperature controller is 100.0;

Value of temperature controller: 100.0

Value indicated by display: 1000

To display decimal points in value indication, set "decimal digit number" of "display data form." In the case of the example above, the decimal digit number is the first decimal place, so set "1."

e.g. When the value of temperature controller is 100.0;

Value of temperature controller: 100.0

Value indicated by Display: 100.0

The decimal point position is internally processed depending on the specified address.

Specified same as the address on the device list: No decimal point

Specified by adding 0x1000 to the address on the device list

: One digit after decimal point.

Specified by adding 0x2000 to the address on the device list

: Two digit after decimal point.

Specified by adding 0x3000 to the address on the device list

: Three digit after decimal point.

GP data are as follows depending on the address specifying method.

Data of temperature controller	Data of display			
	Specified same as the address	Specified by adding 0x1000 to the address	Specified by adding 0x2000 to the address	Specified by adding 0x3000 to the address
123	123	1230	12300	23000
123.4	123	1234	12340	23400
12.34	12	123	1234	12340
1.234	1	12	123	1234

* When address specifying method does not match decimal point position of data of temperature controller, truncate the decimal digit number of the specified address or add a zero.

Data are indicated in decadal system and are 6 digits or more, upper level digits are truncated.

■ When writing:

When writing in the temperature controller, value is set in integral number. Decimal point position is internally processed depending on the specified address.

Specified same as the address on the device list: No decimal point

Specified by adding 0x1000 to the address on the device list

: One digit after decimal point.

Specified by adding 0x2000 to the address on the device list

: Two digit after decimal point.

Specified by adding 0x3000 to the address on the device list

: Three digit after decimal point.

Example 1) When writing 100.0 in the first alarm setting (A1) of CB series;

Address value set by indicator: 0x1007

Written value set by indicator: 1000

Example 2) When writing 100 in the first alarm setting (A1) of CB series;

Address value set by indicator: 0x0007

Written value set by indicator: 100


Data written in the temperature controller are as follows depending on the address specifying method.


Data of temperature controller	Data written in the temperature controller			
	Specified same as the address	Specified by adding 0x1000 to the address	Specified by adding 0x2000 to the address	Specified by adding 0x3000 to the address
1	1	0.1	0.01	0.001
123	123	12.3	1.23	0.123
1234	1234	123.4	12.34	1.234

* When address specifying method does not match decimal point position of data of temperature controller, truncate the decimal digit number of the specified address or add a zero.

For details of the setting value range or decimal point position of each identifier, please refer to the communication manual of the temperature controller made by RKC INSTRUMENT INC.

6.1 CB Series

 This address can be specified as system data area.

Device	Bit Address	Word Address	32 bits	Notes
Communication identifier	0000.00-0038.F	0000-0038		*1 *2

- *1 There are cases for which writing is not available depending on the device address. Check the identifying attributes of the external device's manual before use.
- *2 When bit is written, the indicator reads the corresponding word address of external device, assign a bit to the read word address, and return to the external device. There are cases when correct data cannot be written if the word address is written using a ladder program, while the indicator reads data of the external device and sends it back.

<Communication identifier list>

Address	Identifier	Description
00	M1	Measured value (PV)
01	M2	Current transformer input 1
02	M3	Current transformer input 2
03	AA	Alarm 1 status
04	AB	Alarm 2 status
05	B1	Burnout
06	S1	Set value (SV)
07	A1	Alarm 1 setting
08	A2	Alarm 2 setting
09	A3	Heater break alarm 1 setting
0A	A4	Heater break alarm 2 setting
0B	A5	Control loop break alarm (LBA) setting
0C	A6	LBA deadband
0D	G1	Autotuning (AT)
0E	G2	Self-tuning (ST)
0F	P1	Heat-side proportional band
10	I1	Integral time
11	D1	Derivative time
12	W1	Anti-reset windup
13	T0	Heat-side proportioning cycle
14	P2	Cool-side proportional band
15	V1	Overlap/deadband
16	T1	Cool-side proportioning cycle
17	PB	PV bias
18	LK	Set data lock function
19	SR	RUN/STOP transfer
1A	ER	Error code
1B	IO	Initialization mode selection
1C	IP	Setting necessary code [Cod]
1D	XI	Input type selection [SL1]
1E	XQ	Engineering unit and cooling type selection [SL2]
1F	LV	Heater break alarm (HBA), control loop break alarm (LBA), special specification, or control loop break alarm (LBA) output selection [SL3]
20	XA	First alarm (ALM1) type or First alarm (ALM1) with hold action selection [SL4]
21	XB	Second alarm (ALM2) type or Second alarm (ALM2) with hold action selection [SL5]

Address	Identifier	Description
22	CA	Control action type selection [SL6]
23	Z1	Energized/de-energized alarm selection, special specification selection 1 [SL7]
24	Z2	Special specification selection 2 [SL8]
25	Z3	Special specification selection 3 [SL9]
26	DH	Option selection [SL10]
27	XC	SV alarm type selection [SL11]
28	XV	Setting limiter (high limit) [SLH]
29	XW	Setting limiter (low limit) [SLL]
2A	XU	Setting the position of decimal point [PGdP]
2B	MH	Differential gap setting of ON/OFF action [oH]
2C	HA	Differential gap setting of first alarm (ALM1) [AH1]
2D	HB	Differential gap setting of second alarm (ALM2) [AH2]
2E	XR	CT ratio setting [CTr]
2F	F1	Digital filter setting [dF]
30	GH	Time factor assumed to be safe [STTM]
31	PU	Factor to calculate proportional band [STPK]
32	IU	Factor to calculate integral time [STIK]
33	IL	Integral time limiter [ILIM]
34	HP	Holding peak ambient temperature [TCJ]
35	UT	Operating time display unit (Upper digits) [WTH]
36	UU	Operating time display unit (Lower digits) [WTL]
37	EB	EEPROM storage mode
38	EM	EEPROM storage state


IMPORTANT • Setting "Use system data area" to GP-Pro EX system area result in improper operation. Do not set "Use system data area."


NOTE • System area setting that can be used for the temperature controller is reading area size only. Please refer to the GP-Pro EX Reference Manual for system data area.

Cf. GP-Pro EX Reference Manual "Appendix 1.4 LS Area (only for direct access method)"

- Please refer to the precautions on manual notation for icons in the table.
 - ☞ "Manual Symbols and Terminology"
- Even if non-existing address is used, there are cases when read error is not indicated. In this case, zero (0) is kept for read out data. On the other hand, writing error is indicated.

6.2 FB Series

 This address can be specified as system data area.

Device	Bit Address	Word Address	32 bits	Notes
Communication identifier	0000.00-00CD.1F	0000-00CD		*1 *2

- *1 There are cases for which writing is not available depending on the device address. Check the identifying attributes of the external device's manual before use.
- *2 When bit is written, the indicator reads the corresponding word address of external device, assign a bit to the read word address, and return to the external device. There are cases when correct data cannot be written if the word address is written using a ladder program, while the indicator reads data of the external device and sends it back.

<Communication identifier list>

Address	Identifier	Description
0	M1	Measured value (PV) monitor
1	M3	Current transformer 1 (CT1) input value monitor
2	M4	Current transformer 2 (CT2) input value monitor
3	MS	Set value (SV) monitor
4	S2	Remote setting (RS) input value monitor
5	B1	Burnout state monitor
6	B2	Burnout state monitor of feedback resistance input
7	AA	Event 1 state monitor
8	AB	Event 2 state monitor
9	AC	Event 3 state monitor
0A	AD	Event 4 state monitor
0B	AE	Heater break alarm 1 (HBA1) state monitor
0C	AF	Heater break alarm 2 (HBA2) state monitor
0D	O1	Manipulated output value (MV1) monitor [heat-side]
0E	O2	Manipulated output value (MV2) monitor [cool-side]
0F	ER	Error code
10	L1	Digital input (DI) state monitor
11	Q1	Output state monitor
12	L0	Operation mode state monitor
13	TR	Memory area soak time monitor
14	UT	Integrated operating time monitor
15	Hp	Holding peak value ambient temperature monitor
16	HM	Power feed forward input value monitor
17	EM	Backup memory state monitor
18	VR	ROM version monitor
19	G1	PID/AT transfer
1A	J1	Auto/Manual transfer
1B	C1	Remote/Local transfer
1C	SR	RUN/STOP transfer
1D	ZA	Memory area transfer
1E	IL	Interlock release
1F	A1	Event 1 set value (EV1)
20	A2	Event 2 set value (EV2)
21	A3	Event 3 set value (EV3)
22	A4	Event 4 set value (EV4)

Address	Identifier	Description
23	A5	Control loop break alarm (LBA) time
24	N1	LBA deadband
25	S1	Set value (SV)
26	P1	Proportional band [heat-side]
27	I1	Integral time [heat-side]
28	D1	Derivative time [heat-side]
29	CA	Control response parameter
2A	P2	Proportional band [cool-side]
2B	I2	Integral time [cool-side]
2C	D2	Derivative time [cool-side]
2D	V1	Overlap/Deadband
2E	MR	Manual reset
2F	HH	Setting change rate limiter (up)
30	HL	Setting change rate limiter (down)
31	TM	Area soak time
32	LP	Link area number
33	A7	Heater break alarm 1 (HBA1) set value
34	NE	Heater break determination point 1
35	NF	Heater melting determination point 1
36	A8	Heater break alarm 2 (HBA2) set value
37	NH	Heater break determination point 2
38	NI	Heater melting determination point 2
39	PB	PV bias
3A	F1	PV digital filter
3B	PR	PV ratio
3C	DP	PV low input cut-off
3D	RB	RS bias
3E	F2	RS digital filter
3F	PR	RS ratio
40	T0	Proportional cycle time [heat-side]
41	T1	Proportional cycle time [cool-side]
42	ON	Manual manipulated output value
43	LK	Set lock level
44	DX	STOP display
45	DA	Bar graph display
46	DE	Bar graph display resolution
47	DK	Direct key 1
48	DL	Direct key 2
49	DM	Direct key 3
4A	DN	Direct key type
4B	XI	Input type
4C	PU	Display unit
4D	XU	Decimal point position
4E	XV	Input scale high
4F	XW	Input scale low
50	AV	Input error determination point (high)
51	AW	Input error determination point (low)
52	BS	TC input burnout direction
53	XH	Square root extraction
54	JT	Power supply frequency
55	TZ	Sampling cycle
56	XR	Remote setting input type

Address	Identifier	Description
57	H2	Digital input (DI) assignment
58	E0	Output assignment
59	TH	Timer 1
5A	TI	Timer 2
5B	TJ	Timer 3
5C	TK	Timer 4
5D	NA	Energized/De-energized
5E	LY	Alarm (ALM) lamp lighting condition 1
5F	LZ	Alarm (ALM) lamp lighting condition 2
60	SS	Output status at STOP mode
61	LA	Transmission output type
62	HV	Transmission output scale high
63	HW	Transmission output scale low
64	XA	Event 1 type
65	WA	Event 1 hold action
66	LF	Event 1 interlock
67	HA	Event 1 differential gap
68	TD	Event 1 delay timer
69	OA	Event 1 action at input error
6A	XB	Event 2 type
6B	WB	Event 2 hold action
6C	LG	Event 2 interlock
6D	HB	Event 2 differential gap
6E	TG	Event 2 delay timer
6F	OB	Event 2 action at input error
70	XC	Event 3 type
71	WC	Event 3 hold action
72	LH	Event 3 interlock
73	HC	Event 3 differential gap
74	TE	Event 3 delay timer
75	OC	Event 3 action at input error
76	XD	Event 4 type
77	WD	Event 4 hold action
78	LI	Event 4 interlock
79	HD	Event 4 differential gap
7A	TF	Event 4 delay timer
7B	OD	Event 4 action at input error
7C	XS	CT1 ratio
7D	ZF	CT1 assignment
7E	ND	Heater break alarm 1 (HBA1) type
7F	DH	Number of heater break alarm 1 (HBA1) delay times
80	XT	CT2 ratio
81	ZG	CT2 assignment
82	NG	Heater break alarm 2 (HBA2) type
83	DF	Number of heater break alarm 2 (HBA2) delay times
84	XN	Hot/Cold start
85	SX	Start determination point
86	KM	External input type
87	MC	Master channel selection
88	XL	SV tracking
89	OT	MV transfer function
8A	XE	Control action

Address	Identifier	Description
8B	PK	Integral/derivative time decimal point position
8C	KA	Derivative term operating factor
8D	KB	Undershoot suppression factor
8E	DG	Derivative gain
8F	IV	ON/OFF action differential gap (upper)
90	IW	ON/OFF action differential gap (lower)
91	WH	Action (high) at input error
92	WL	Action (low) at input error
93	OE	Manipulated output value at input error
94	OF	Manipulated output value (MV1) at STOP mode
95	OG	Manipulated output value (MV2) at STOP mode
96	PH	Output change rate limiter (up) [MV1]
97	PL	Output change rate limiter (down) [MV1]
98	OH	Output limiter (high) [MV1]
99	OL	Output limiter (low) [MV1]
9A	PX	Output change rate limiter (up) [MV2]
9B	PY	Output change rate limiter (down) [MV2]
9C	OX	Output limiter (high) [MV2]
9D	OY	Output limiter (low) [MV2]
9E	PF	Power feed forward selection
9F	PZ	Power feed forward gain
A0	GB	AT bias
A1	G3	AT cycles
A2	OP	Output value with AT turned on
A3	OQ	Output value with AT turned off
A4	GH	AT differential gap time
A5	KC	Proportional band adjusting factor [heat-side]
A6	KD	Integral time adjusting factor [heat-side]
A7	KE	Derivative time adjusting factor [heat-side]
A8	KF	Proportional band adjusting factor [cool-side]
A9	KG	Integral time adjusting factor [cool-side]
AA	KH	Derivative time adjusting factor [cool-side]
AB	P6	Proportional band limiter (high) [heat-side]
AC	P7	Proportional band limiter (low) [heat-side]
AD	I6	Integral time limiter (high) [heat-side]
AE	I7	Integral time limiter (low) [heat-side]
AF	D6	Derivative time limiter (high) [heat-side]
B0	D7	Derivative time limiter (low) [heat-side]
B1	P8	Proportional band limiter (high) [cool-side]
B2	P9	Proportional band limiter (low) [cool-side]
B3	I8	Integral time limiter (high) [cool-side]
B4	I9	Integral time limiter (low) [cool-side]
B5	D8	Derivative time limiter (high) [cool-side]
B6	D9	Derivative time limiter (low) [cool-side]
B7	V2	Open/Close output neutral zone
B8	VH	Open/Close output differential gap
B9	SY	Action at feedback resistance (FBR) input error
BA	FV	Feedback adjustment
BB	TN	Control motor time
BC	OI	Integrated output limiter
BD	VS	Valve action at STOP
BE	ST	Startup tuning (ST)


Address	Identifier	Description
BF	KI	ST proportional band adjusting factor
C0	KJ	ST integral time adjusting factor
C1	KK	ST derivative time adjusting factor
C2	SU	ST start condition
C3	Y7	Automatic temperature rise group
C4	Y8	Automatic temperature rise learning
C5	RT	Automatic temperature rise dead time
C6	R2	Automatic temperature rise gradient data
C7	GQ	RUN/STOP group
C8	HU	Setting change rate limiter unit time
C9	RU	Soak time unit
CA	SH	Setting limiter (high)
CB	SL	Setting limiter (low)
CC	TS	PV transfer function
CD	DU	PV flashing display at input error


IMPORTANT • Setting "Use system data area" to GP-Pro EX system area result in improper operation. Do not set "Use system data area."

NOTE • System area setting that can be used for the temperature controller is reading area size only. Please refer to the GP-Pro EX Reference Manual for system data area.
 Cf. GP-Pro EX Reference Manual "Appendix 1.4 LS Area (only for direct access method)"

- Please refer to the precautions on manual notation for icons in the table.
 - ☞ "Manual Symbols and Terminology"
- Even if non-existing address is used, there are cases when read error is not indicated. In this case, zero (0) is kept for read out data. On the other hand, writing error is indicated.

6.3 HA Series

 This address can be specified as system data area.

Device	Bit Address	Word Address	32 bits	Notes
Communication identifier	0000.00-00E6.1F	0000-00E6		*1 *2

*1 There are cases for which writing is not available depending on the device address. Check the identifying attributes of the external device's manual before use.

*2 When bit is written, the indicator reads the corresponding word address of external device, assign a bit to the read word address, and return to the external device. There are cases when correct data cannot be written if the word address is written using a ladder program, while the indicator reads data of the external device and sends it back.

<Communication identifier list>

Address	Identifier	Description
00	M1	Input 1 measured value (PV1)
01	M0	Input 2 measured value (PV2)
02	M2	Feedback resistance input monitor
03	M3	Current transformer 1 (CT1) input value monitor
04	M4	Current transformer 2 (CT2) input value monitor
05	MS	Input 1 setting-value(SV1) monitor
06	MT	Input 2 setting-value(SV1) monitor
07	S2	Remote setting (RS) input value monitor
08	KH	Cascade monitor
09	B1	Burnout state monitor of input 1
0A	B0	Burnout state monitor of input 2
0B	B2	Burnout state monitor of feedback resistance input
0C	AA	Event 1 state monitor
0D	AB	Event 2 state monitor
0E	AC	Event 3 state monitor
0F	AD	Event 4 state monitor
10	AE	Heater break alarm 1 (HBA1) state
11	AF	Heater break alarm 2 (HBA1) state
12	O1	Manipulated output value (MV1) of input 1
13	O0	Manipulated output value (MV2) of input 2
14	ER	Error code
15	L1	Event input(DI) state
16	L0	Operation mode state
17	TR	Memory area soak time monitor
18	G1	PID/AT transfer of input 1
19	G0	PID/AT transfer of input 2
1A	J1	Auto/Manual transfer of input 1
1B	J0	Auto/Manual transfer of input 2
1C	C1	Remote/Local transfer
1D	SR	RUN/STOP transfer
1E	ZA	Memory area transfer
1F	A1	Event 1 set value
20	A2	Event 2 set value
21	A3	Event 3 set value
22	A5	Control loop break alarm 1 (LBA1) time
23	N1	LBA1 deadband

Address	Identifier	Description
24	A4	Event 4 set value
25	A6	Control loop break alarm 2 (LBA2) time
26	N2	LBA2 deadband
27	S1	Set value (SV1) of input 1
28	P1	Proportional band of input 1
29	I1	Integral time of input 1
2A	D1	Derivative time of input 1
2B	CA	Control response parameter of input 1
2C	S0	Set value (SV2) of input 2
2D	P0	Proportional band of input 2
2E	I0	Integral time of input 2
2F	D0	Derivative time of input 2
30	C9	Control response parameter of input 2
31	HH	Setting change rate limiter (up) of input 1
32	HL	Setting change rate limiter (down) of input 1
33	HX	Setting change rate limiter (up) of input 2
34	HY	Setting change rate limiter (down) of input 2
35	TM	Area soak time
36	LP	Link area number
37	A7	Heater break alarm 1 (HBA1) set value
38	A8	Heater break alarm 2 (HBA2) set value
39	PB	PV bias of input 1
3A	F1	PV digital filter of input 1
3B	PR	PV ratio of input 1
3C	DP	PV low input cut-off of input 1
3D	T0	Proportional cycle of input 1
3E	ON	Manual output value of input 1
3F	PA	PV bias of input 2
40	F0	PV digital filter of input 2
41	PQ	PV ratio of input 2
42	DO	PV low input cut-off of input 2
43	T2	Proportional cycle of input 2
44	OM	Manual output value of input 2
45	LK	Set lock level
46	EM	EEPROM status
47	EB	EEPROM mode
48	NE	Heater break determination point 1
49	NF	Heater melting determination point 1
4A	NH	Heater break determination point 2
4B	NI	Heater melting determination point 2
4C	HP	Not used
4D	HQ	Not used
4E	HR	Not used
4F	FP	Not used
50	FQ	Not used
51	FR	Not used
52	IL	Not used
53	AZ	Not used
54	FS	Not used
55	DX	STOP display selection
56	DA	Bar graph display selection
57	DE	Bar graph display resolution

Address	Identifier	Description
58	DK	Auto/manual change key operation selection (A/M)
59	DL	Remote/local change key operation selection (R/L)
5A	DM	RUN/STOP change key operation selection (R/S)
5B	XI	Input type selection of input 1
5C	PU	Display unit selection of input 1
5D	XU	Decimal-point position selection of input 1
5E	XV	Input scale high-limit of input 1
5F	XW	Input scale low-limit of input 1
60	AV	Input abnormality determination point (High limit) of input 1
61	AW	Input abnormality determination point (Low limit) of input 1
62	BS	Burnout direction of input 1
63	XH	Square root extraction selection of input 1
64	JT	Power supply frequency selection
65	XJ	Input type selection of input 2
66	PT	Display unit selection of input 2
67	XT	Decimal-point position selection of input 2
68	XX	Input scale high-limit of input 2
69	XY	Input scale low-limit of input 2
6A	AX	Input abnormality determination point (High limit) of input 2
6B	AY	Input abnormality determination point (Low limit) of input 2
6C	BR	Burnout direction of input 2
6D	XG	Square root extraction selection of input 2
6E	H2	Event input logic selection
6F	E0	Output logic selection
70	TD	Output 1 timer setting
71	TG	Output 2 timer setting
72	TH	Output 3 timer setting
73	TI	Output 4 timer setting
74	TJ	Output 5 timer setting
75	LA	Transmission output 1 type selection
76	HV	Transmission output 1 scale high
77	HW	Transmission output 1 scale low
78	LB	Transmission output 2 type selection
79	CV	Transmission output 2 scale high
7A	CW	Transmission output 2 scale low
7B	LC	Transmission output 3 type selection
7C	EV	Transmission output 3 scale high
7D	EW	Transmission output 3 scale low
7E	XA	Event 1 type selection
7F	WA	Event 1 hold action
80	HA	Event 1 differential gap
81	OA	Event 1 action at input error
82	FA	Event 1 assignment
83	XB	Event 2 type selection
84	WB	Event 2 hold action
85	HB	Event 2 differential gap
86	OB	Event 2 action at input error
87	FB	Event 2 assignment
88	XC	Event 3 type selection
89	WC	Event 3 hold action
8A	HC	Event 3 differential gap
8B	OC	Event 3 action at input error

Address	Identifier	Description
8C	FC	Event 3 assignment
8D	XD	Event 4 type selection
8E	WD	Event 4 hold action
8F	HD	Event 4 differential gap
90	OD	Event 4 action at input error
91	FD	Event 4 assignment
92	XR	CT1 ratio
93	ZF	CT1 assignment
94	XS	CT2 ratio
95	ZG	CT2 assignment
96	XN	Hot/Cold start selection
97	KM	Usage selection of input 2
98	RR	Cascade ratio
99	RB	Cascade bias
9A	XL	SV tracking selection
9B	XE	Control action selection of input 1
9C	PK	Integral/derivative time decimal point position selection of input 1
9D	DG	Derivative gain of input 1
9E	IV	ON/OFF action differential gap (upper) of input 1
9F	IW	ON/OFF action differential gap (lower) of input 1
A0	WH	Action (high) at input error of input 1
A1	WL	Action (low) at input error of input 1
A2	OE	Manipulated output value at input error of input 1
A3	PH	Output change rate limiter (up) of input 1
A4	PL	Output change rate limiter (down) of input 1
A5	OH	Output limiter (high) of input 1
A6	OL	Output limiter (low) of input 1
A7	PF	Power feed forward selection of input 1
A8	XF	Control action selection of input 2
A9	PJ	Integral/derivative time decimal point position selection of input 2
AA	DJ	Derivative gain of input 2
AB	IX	ON/OFF action differential gap (upper) of input 2
AC	IY	ON/OFF action differential gap (lower) of input 2
AD	WX	Action (high) at input error of input 2
AE	WY	Action (low) at input error of input 2
AF	OF	Manipulated output value at input error of input 2
B0	PX	Output change rate limiter (up) of input 2
B1	PY	Output change rate limiter (down) of input 2
B2	OX	Output limiter (high) of input 2
B3	OY	Output limiter (low) of input 2
B4	PG	Power feed forward selection of input 2
B5	GB	AT bias of input 1
B6	G3	AT cycles of input 1
B7	GH	AT differential gap time of input 1
B8	GA	AT bias of input 2
B9	G2	AT cycles of input 2
BA	GG	AT differential gap time of input 2
BB	V2	Open/Close output neutral zone
BC	VH	Open/Close output differential gap
BD	SY	Action at feedback resistance (FBR) input error
BE	FV	Feedback adjustment
BF	HU	Setting change rate limiter unit time


Address	Identifier	Description
C0	RU	Soak time unit
C1	SH	Setting limiter (high) of input 1
C2	SL	Setting limiter (low) of input 1
C3	ST	Setting limiter (high) of input 2
C4	SU	Setting limiter (low) of input 2
C5	VR	ROM version
C6	UT	Integrated operating time
C7	Hp	Holding peak value ambient temperature
C8	HM	Power feed forward input value
C9	VG	Feedback resistance (FBR) input assignment
CA	PZ	Power feed forward gain of input 1
CB	PW	Power feed forward gain of input 2
CC	ND	Heater break alarm 1 (HBA1) type
CD	DH	Number of heater break alarm 1 (HBA1) delay times
CE	NG	Heater break alarm 2 (HBA2) type
CF	DF	Number of heater break alarm 2 (HBA2) delay times
D0	LY	Alarm (ALM) lamp lighting condition 1
D1	LZ	Alarm (ALM) lamp lighting condition 2
D2	HT	Not used
D3	FT	Not used
D4	OG	Not used
D5	LI	Not used
D6	OR	Not used
D7	TS	Not used
D8	US	Not used
D9	RH	Not used
DA	RL	Not used
DB	RP	Not used
DC	JI	Not used
DD	JJ	Not used
DE	OI	Not used
DF	OJ	Not used
E0	QA	Not used
E1	OT	Not used
E2	OU	Not used
E3	MY	Not used
E4	NY	Not used
E5	MZ	Not used
E6	NZ	Not used


IMPORTANT • Setting "Use system data area" to GP-Pro EX system area result in improper operation. Do not set "Use system data area."

NOTE • System area setting that can be used for the temperature controller is reading area size only. Please refer to the GP-Pro EX Reference Manual for system data area.
 Cf. GP-Pro EX Reference Manual "Appendix 1.4 LS Area (only for direct access method)"

- Please refer to the precautions on manual notation for icons in the table.
 - ☞ "Manual Symbols and Terminology"
- Even if non-existing address is used, there are cases when read error is not indicated. In this case, zero (0) is kept for read out data. On the other hand, writing error is indicated.

6.4 MA Series

 This address can be specified as system data area.

Device	Bit Address	Word Address	32 bits	Notes
Communication identifier	0000.0-002A.F	0000-002A		*1 *2

- *1 There are cases for which writing is not available depending on the device address. Check the identifying attributes of the external device's manual before use.
- *2 When bit is written, the indicator reads the corresponding word address of external device, assign a bit to the read word address, and return to the external device. There are cases when correct data cannot be written if the word address is written using a ladder program, while the indicator reads data of the external device and sends it back.

<Communication identifier list>

Address	Identifier	Description
00	M1	Measured value (PV)
01	M2	Current transformer 1 input value
02	M3	Current transformer 2 input value
03	MS	Set value monitor
04	B1	Burnout
05	AA	Alarm 1 status
06	AB	Alarm 2 status
07	AC	Alarm 3 status
08	AJ	Output status
09	O1	Manipulated output value
0A	O2	Cool-side manipulated output value
0B	ER	Error code
0C	L1	DI status
0D	ZA	Memory area number selection
0E	S1	Set value (SV)
0F	A1	Alarm 1
10	N1	Control loop break alarm deadband (LBD)
11	A2	Alarm 2
12	N2	Heater break alarm 2 (HBA2)
13	A3	Alarm 3
14	P1	Proportional band
15	P2	Cool-side proportional band
16	I1	Integral time
17	D1	Derivative time
18	W1	Anti-reset windup
19	V1	Overlap/deadband
1A	HH	Setting change rate limiter
1B	EI	Used/unused of channels
1C	SR	RUN/STOP transfer
1D	G1	PID/AT selection
1E	PB	PV bias
1F	F1	Digital filter
20	T0	Proportioning cycle time
21	T1	Cool-side proportioning cycle time
22	TL	Scan interval time

Address	Identifier	Description
23	IP	Device address
24	IR	Communication speed
25	IQ	Data bit configuration
26	IT	Interval time
27	EB	EEPROM storage mode
28	EM	EEPROM storage status
29	LK	Lock level 1
2A	LL	Lock level 2


IMPORTANT • Setting "Use system data area" to GP-Pro EX system area result in improper operation. Do not set "Use system data area."


NOTE • System area setting that can be used for the temperature controller is reading area size only. Please refer to the GP-Pro EX Reference Manual for system data area.

Cf. GP-Pro EX Reference Manual "Appendix 1.4 LS Area (only for direct access method)"

- Please refer to the precautions on manual notation for icons in the table.
 - ☞ "Manual Symbols and Terminology"
- Even if non-existing address is used, there are cases when read error is not indicated. In this case, zero (0) is kept for read out data. On the other hand, writing error is indicated.

6.5 SRV Series

 This address can be specified as system data area.

Device	Bit Address	Word Address	32 bits	Notes
Communication identifier	0000.0-0085.1F	0000-0085		*1 *2

- *1 There are cases for which writing is not available depending on the device address. Check the identifying attributes of the external device's manual before use.
- *2 When bit is written, the indicator reads the corresponding word address of external device, assign a bit to the read word address, and return to the external device. There are cases when correct data cannot be written if the word address is written using a ladder program, while the indicator reads data of the external device and sends it back.

<Communication identifier list>

Address	Identifier	Description
00	M1(ch1)	CH1 Measured-value (PV)
01	M1(ch2)	CH2 Measured-value (PV)
02	AJ(ch1)	CH1 Overall event status
03	AJ(ch2)	CH2 Overall event status
04	B1(ch1)	CH1 Burnout state
05	B1(ch2)	CH2 Burnout state
06	AA(ch1)	CH1 Event 1 state
07	AA(ch2)	CH2 Event 1 state
08	AB(ch1)	CH1 Event 2 state
09	AB(ch2)	CH2 Event 2 state
0A	AC(ch1)	CH1 Heater break alarm (HBA) state
0B	AC(ch2)	CH2 Heater break alarm (HBA) state
0C	AP(ch1)	CH1 Control loop break alarm (LBA) state
0D	AP(ch2)	CH2 Control loop break alarm (LBA) state
0E	O1(ch1)	CH1 Manipulated output value[heat-side]
0F	O1(ch2)	CH2 Manipulated output value[heat-side]
10	O2(ch1)	CH1 Manipulated output value[cool-side]
11	O2(ch2)	CH2 Manipulated output value[cool-side]
12	M3(ch1)	CH1 CT input measured value
13	M3(ch2)	CH2 CT input measured value
14	MS(ch1)	CH1 Set-value monitoring
15	MS(ch2)	CH2 Set-value monitoring
16	ER	Error code
17	HE(ch1)	CH1 Temperature rise completion status
18	HE(ch2)	CH2 Temperature rise completion status
19	SI(ch1)	CH1 Set value (SV)
1A	SI(ch2)	CH2 Set value (SV)
1B	P1(ch1)	CH1 Proportional band [heat-side]
1C	P1(ch2)	CH2 Proportional band [heat-side]
1D	P2(ch1)	CH1 Proportional band [cool-side]
1E	P2(ch2)	CH2 Proportional band [cool-side]
1F	I1(ch1)	CH1 Integral time
20	I1(ch2)	CH2 Integral time
21	D1(ch1)	CH1 Derivative time
22	D1(ch2)	CH2 Derivative time

Address	Identifier	Description
23	CA(ch1)	CH1 Control response designation parameter
24	CA(ch2)	CH2 Control response designation parameter
25	V1(ch1)	CH1 Overlap/Deadband
26	V1(ch2)	CH2 Overlap/Deadband
27	HH(ch1)	CH1 Setting change rate limiter
28	HH(ch2)	CH2 Setting change rate limiter
29	PB(ch1)	CH1 PV bias
2A	PB(ch2)	CH2 PV bias
2B	A1(ch1)	CH1 Event 1 setting value
2C	A1(ch2)	CH2 Event 1 setting value
2D	A2(ch1)	CH1 Event 2 setting value
2E	A2(ch2)	CH2 Event 2 setting value
2F	EI(ch1)	CH1 Operation mode
30	EI(ch2)	CH2 Operation mode
31	G1(ch1)	CH1 PID/AT transfer
32	G1(ch2)	CH2 PID/AT transfer
33	J1(ch1)	CH1 Auto/Manual transfer
34	J1(ch2)	CH2 Auto/Manual transfer
35	ON(ch1)	CH1 Manual output value
36	ON(ch2)	CH2 Manual output value
37	OH(ch1)	CH1 Output limiter (high)
38	OH(ch2)	CH2 Output limiter (high)
39	OL(ch1)	CH1 Output limiter (low)
3A	OL(ch2)	CH2 Output limiter (low)
3B	T0(ch1)	CH1 Proportioning cycle (heat-side)
3C	T0(ch2)	CH2 Proportioning cycle (heat-side)
3D	T1(ch1)	CH1 Proportioning cycle (cool-side)
3E	T1(ch2)	CH2 Proportioning cycle (cool-side)
3F	F1(ch1)	CH1 digital filter
40	F1(ch2)	CH2 digital filter
41	A3(ch1)	CH1 Heater break alarm (HBA) set value
42	A3(ch2)	CH2 Heater break alarm (HBA) set value
43	DH(ch1)	CH1 Number of heater break alarm (HBA) delay times
44	DH(ch2)	CH2 Number of heater break alarm (HBA) delay times
45	SR	Control RUN/STOP transfer
46	AV(ch1)	CH1 Input error determination point (high)
47	AV(ch2)	CH2 Input error determination point (high)
48	AW(ch1)	CH1 Input error determination point (low)
49	AW(ch2)	CH2 Input error determination point (low)
4A	WH(ch1)	CH1 Action (high) at input error
4B	WH(ch2)	CH2 Action (high) at input error
4C	WL(ch1)	CH1 Action (low) at input error
4D	WL(ch2)	CH2 Action (low) at input error
4E	OE(ch1)	CH1 Manipulated output value at input error
4F	OE(ch2)	CH2 Manipulated output value at input error
50	GH(ch1)	CH1 AT differential gap time
51	GH(ch2)	CH2 AT differential gap time
52	GB(ch1)	CH1 AT bias
53	GB(ch2)	CH2 AT bias
54	XH	Event LED mode set
55	HP(ch1)	CH1 Control loop break alarm (LBA) usage selection
56	HP(ch2)	CH2 Control loop break alarm (LBA) usage selection

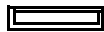
Address	Identifier	Description
57	C6(ch1)	CH1 Control loop break alarm (LBA) time
58	C6(ch2)	CH2 Control loop break alarm (LBA) time
59	V2(ch1)	CH1 Control loop break alarm (LBA) deadband
5A	V2(ch2)	CH2 Control loop break alarm (LBA) deadband
5B	E1	DI set
5C	L1	DI status
5D	QA	DO1 set
5E	QB	DO2 set
5F	Q1	DO status
60	AR	Event interlock release
61	HD(ch1)	CH1 Temperature rise completion range
62	HD(ch2)	CH2 Temperature rise completion range
63	T3(ch1)	CH1 Temperature rise completion soak time
64	T3(ch2)	CH2 Temperature rise completion soak time
65	IN	Initial set mode
66	XI(ch1)	CH1 Input range number
67	XI(ch2)	CH2 Input range number
68	XV(ch1)	CH1 Input scale high
69	XV(ch2)	CH2 Input scale high
6A	XW(ch1)	CH1 Input scale low
6B	XW(ch2)	CH2 Input scale low
6C	XU(ch1)	CH1 Input range decimal point position
6D	XU(ch2)	CH2 Input range decimal point position
6E	PU(ch1)	CH1 Temperature unit selection
6F	PU(ch2)	CH2 Temperature unit selection
70	XE(ch1)	CH1 Control type
71	XE(ch2)	CH2 Control type
72	IV(ch1)	CH1 ON/OFF action differential gap (upper)
73	IV(ch2)	CH2 ON/OFF action differential gap (upper)
74	IW(ch1)	CH1 ON/OFF action differential gap (lower)
75	IW(ch2)	CH2 ON/OFF action differential gap (lower)
76	HA(ch1)	CH1 Event 1 differential gap
77	HA(ch2)	CH2 Event 1 differential gap
78	HB(ch1)	CH1 Event 2 differential gap
79	HB(ch2)	CH2 Event 2 differential gap
7A	XA(ch1)	CH1 Event 1 type
7B	XA(ch2)	CH2 Event 1 type
7C	XB(ch1)	CH1 Event 2 type
7D	XB(ch2)	CH2 Event 2 type
7E	WA(ch1)	CH1 Event 1 action
7F	WA(ch2)	CH2 Event 1 action
80	WB(ch1)	CH1 Event 2 action
81	WB(ch2)	CH2 Event 2 action
82	TD(ch1)	CH1 Event delay timer
83	TD(ch2)	CH2 Event delay timer
84	ZX	Transmission transfer time setting
85	X2	Transfer mode hold setting


IMPORTA • Setting "Use system data area" to GP-Pro EX system area result in improper operation. Do not set "Use system data area."

NOTE

- System area setting that can be used for the temperature controller is reading area size only. Please refer to the GP-Pro EX Reference Manual for system data area.
Cf. GP-Pro EX Reference Manual "Appendix 1.4 LS Area (only for direct access method)"
- Please refer to the precautions on manual notation for icons in the table.
☞ "Manual Symbols and Terminology"
- Even if non-existing address is used, there are cases when read error is not indicated. In this case, zero (0) is kept for read out data. On the other hand, writing error is indicated.

6.6 SRX Series

 This address can be specified as system data area.

Device	Bit Address	Word Address	32 bits	Notes
Communication identifier	0000.00-008C.1F	0000-008C		*1 *2

- *1 There are cases for which writing is not available depending on the device address. Check the identifying attributes of the external device's manual before use.
- *2 When bit is written, the indicator reads the corresponding word address of external device, assign a bit to the read word address, and return to the external device. There are cases when correct data cannot be written if the word address is written using a ladder program, while the indicator reads data of the external device and sends it back.

<Communication identifier list>

Address	Identifier	Description
00	M1(ch1)	CH1 Measured-value (PV)
01	M1(ch2)	CH2 Measured-value (PV)
02	AJ(ch1)	CH1 Overall event status
03	AJ(ch2)	CH2 Overall event status
04	B1(ch1)	CH1 Burnout state
05	B1(ch2)	CH2 Burnout state
06	AA(ch1)	CH1 Event 1 state
07	AA(ch2)	CH2 Event 1 state
08	AB(ch1)	CH1 Event 2 state
09	AB(ch2)	CH2 Event 2 state
0A	AC(ch1)	CH1 Heater break alarm (HBA) state
0B	AC(ch2)	CH2 Heater break alarm (HBA) state
0C	AP(ch1)	CH1 Control loop break alarm (LBA) state
0D	AP(ch2)	CH2 Control loop break alarm (LBA) state
0E	O1(ch1)	CH1 Manipulated output value
0F	O1(ch2)	CH2 Manipulated output value
10	M3(ch1)	CH1 CT input measured value
11	M3(ch2)	CH2 CT input measured value
12	MS(ch1)	CH1 Set-value monitoring
13	MS(ch2)	CH2 Set-value monitoring
14	ER	Error code
15	S1(ch1)	CH1 Set value (SV)
16	S1(ch2)	CH2 Set value (SV)
17	P1(ch1)	CH1 Proportional band
18	P1(ch2)	CH2 Proportional band
19	I1(ch1)	CH1 Integral time
1A	I1(ch2)	CH2 Integral time
1B	D1(ch1)	CH1 Derivative time
1C	D1(ch2)	CH2 Derivative time
1D	CA(ch1)	CH1 Control response designation parameter
1E	CA(ch2)	CH2 Control response designation parameter
1F	PB(ch1)	CH1 PV bias
20	PB(ch2)	CH2 PV bias
21	A1(ch1)	CH1 Event 1 setting value
22	A1(ch2)	CH2 Event 1 setting value

Address	Identifier	Description
23	A2(ch1)	CH1 Event 2 setting value
24	A2(ch2)	CH2 Event 2 setting value
25	EI(ch1)	CH1 Operation mode
26	EI(ch2)	CH2 Operation mode
27	G1(ch1)	CH1 PID/AT transfer
28	G1(ch2)	CH2 PID/AT transfer
29	J1(ch1)	CH1 Auto/Manual transfer
2A	J1(ch2)	CH2 Auto/Manual transfer
2B	ON(ch1)	CH1 Manual output value
2C	ON(ch2)	CH2 Manual output value
2D	OH(ch1)	CH1 Output limiter (high)
2E	OH(ch2)	CH2 Output limiter (high)
2F	OL(ch1)	CH1 Output limiter (low)
30	OL(ch2)	CH2 Output limiter (low)
31	T0(ch1)	CH1 Proportioning cycle
32	T0(ch2)	CH2 Proportioning cycle
33	F1(ch1)	CH1 digital filter
34	F1(ch2)	CH2 digital filter
35	A3(ch1)	CH1 Heater break alarm (HBA) set value
36	A3(ch2)	CH2 Heater break alarm (HBA) set value
37	DH(ch1)	CH1 Number of heater break alarm (HBA) delay times
38	DH(ch2)	CH2 Number of heater break alarm (HBA) delay times
39	XN(ch1)	CH1 Hot/Cold start selection
3A	XN(ch2)	CH2 Hot/Cold start selection
3B	SX(ch1)	CH1 Start determination point
3C	SX(ch2)	CH2 Start determination point
3D	SR	Control RUN/STOP transfer
3E	AV(ch1)	CH1 Input error determination point (high)
3F	AV(ch2)	CH2 Input error determination point (high)
40	AW(ch1)	CH1 Input error determination point (low)
41	AW(ch2)	CH2 Input error determination point (low)
42	WH(ch1)	CH1 Action (high) at input error
43	WH(ch2)	CH2 Action (high) at input error
44	WL(ch1)	CH1 Action (low) at input error
45	WL(ch2)	CH2 Action (low) at input error
46	OE(ch1)	CH1 Manipulated output value at input error
47	OE(ch2)	CH2 Manipulated output value at input error
48	GH(ch1)	CH1 AT differential gap time
49	GH(ch2)	CH2 AT differential gap time
4A	GB(ch1)	CH1 AT bias
4B	GB(ch2)	CH2 AT bias
4C	C1	Remote/Local transfer
4D	XH	Event LED mode set
4E	E1(ch1)	CH1 Digital input setting 1 (RESET)
4F	E1(ch2)	CH2 Digital input setting 1 (RESET)
50	E2(ch1)	CH1 Digital input setting 2 (RUN)
51	E2(ch2)	CH2 Digital input setting 2 (RUN)
52	E3(ch1)	CH1 Digital input setting 3 (FIX)
53	E3(ch2)	CH2 Digital input setting 3 (FIX)
54	E4(ch1)	CH1 Digital input setting 4 (MAN)
55	E4(ch2)	CH2 Digital input setting 4 (MAN)
56	E5(ch1)	CH1 Digital input setting 5 (HOLD)

Address	Identifier	Description
57	E5(ch2)	CH2 Digital input setting 5 (HOLD)
58	E6(ch1)	CH1 Digital input setting 6 (STEP)
59	E6(ch2)	CH2 Digital input setting 6 (STEP)
5A	E7(ch1)	CH1 Digital input setting 7 (Program pattern selection)
5B	E7(ch2)	CH2 Digital input setting 7 (Program pattern selection)
5C	E8(ch1)	CH1 Digital input setting 8 (AT/PID)
5D	E8(ch2)	CH2 Digital input setting 8 (AT/PID)
5E	HP(ch1)	CH1 Control loop break alarm (LBA) usage selection
5F	HP(ch2)	CH2 Control loop break alarm (LBA) usage selection
60	C6(ch1)	CH1 Control loop break alarm (LBA) time
61	C6(ch2)	CH2 Control loop break alarm (LBA) time
62	V2(ch1)	CH1 Control loop break alarm (LBA) deadband
63	V2(ch2)	CH2 Control loop break alarm (LBA) deadband
64	PK(ch1)	CH1 Integral/Derivative time decimal point position
65	PK(ch2)	CH2 Integral/Derivative time decimal point position
66	IN	Initial set mode
67	XI(ch1)	CH1 Input range number
68	XI(ch2)	CH2 Input range number
69	XV(ch1)	CH1 Input scale high
6A	XV(ch2)	CH2 Input scale high
6B	XW(ch1)	CH1 Input scale low
6C	XW(ch2)	CH2 Input scale low
6D	XU(ch1)	CH1 Input range decimal point position
6E	XU(ch2)	CH2 Input range decimal point position
6F	PU(ch1)	CH1 Temperature unit selection
70	PU(ch2)	CH2 Temperature unit selection
71	XE(ch1)	CH1 Control type
72	XE(ch2)	CH2 Control type
73	IV(ch1)	CH1 ON/OFF action differential gap (upper)
74	IV(ch2)	CH2 ON/OFF action differential gap (upper)
75	IW(ch1)	CH1 ON/OFF action differential gap (lower)
76	IW(ch2)	CH2 ON/OFF action differential gap (lower)
77	HA(ch1)	CH1 Event 1 differential gap
78	HA(ch2)	CH2 Event 1 differential gap
79	HB(ch1)	CH1 Event 2 differential gap
7A	HB(ch2)	CH2 Event 2 differential gap
7B	XA(ch1)	CH1 Event 1 type
7C	XA(ch2)	CH2 Event 1 type
7D	XB(ch1)	CH1 Event 2 type
7E	XB(ch2)	CH2 Event 2 type
7F	WA(ch1)	CH1 Event 1 action
80	WA(ch2)	CH2 Event 1 action
81	WB(ch1)	CH1 Event 2 action
82	WB(ch2)	CH2 Event 2 action
83	DF(ch1)	CH1 Event delay frequency
84	DF(ch2)	CH2 Event delay frequency
85	ZX	Transmission transfer time setting
86	XP(ch1)	CH1 Segment time unit setting
87	XP(ch2)	CH2 Segment time unit setting
88	X2	Transfer mode hold setting
89	PH(ch1)	CH1 Change rate limiter(up) of output
8A	PH(ch2)	CH2 Change rate limiter(up) of output

Address	Identifier	Description
8B	PL(ch1)	CH1 Change rate limiter(down) of output
8C	PL(ch2)	CH2 Change rate limiter(down) of output


IMPORTANT • Setting "Use system data area" to GP-Pro EX system area result in improper operation. Do not set "Use system data area."

NOTE • System area setting that can be used for the temperature controller is reading area size only. Please refer to the GP-Pro EX Reference Manual for system data area.

Cf. GP-Pro EX Reference Manual "Appendix 1.4 LS Area (only for direct access method)"

- Please refer to the precautions on manual notation for icons in the table.
 - ☞ "Manual Symbols and Terminology"
- Even if non-existing address is used, there are cases when read error is not indicated. In this case, zero (0) is kept for read out data. On the other hand, writing error is indicated.

6.7 SA Series

 This address can be specified as system data area.

Device	Bit Address	Word Address	32 bits	Notes
Communication identifier	0000.0-001E.F	0000-001E	L/H	*1 *2

- *1 There are cases for which writing is not available depending on the device address. Check the identifying attributes of the external device's manual before use.
- *2 When bit is written, the indicator reads the corresponding word address of external device, assign a bit to the read word address, and return to the external device. There are cases when correct data cannot be written if the word address is written using a ladder program, while the indicator reads data of the external device and sends it back.


<Communication identifier list>


Address	Identifier	Description
00	M1	Measured value(PV)
01	B1	Burnout
02	AA	Alarm 1 status
03	AB	Alarm 2 status
04	O1	Heat-side manipulated output value
05	O2	Cool-side manipulated output value
06	ER	Error code
07	SR	RUN/STOP function
08	G1	Autotuning
09	G2	Self-tuning
0A	S1	Set value (SV)
0B	A1	Alarm 1 set value
0C	A2	Alarm 2 set value
0D	A5	Control loop break alarm
0E	A6	Control loop break alarm deadband
0F	P1	Heat-side proportional band (P)
10	I1	Integral time (I)
11	D1	Derivative time (D)
12	W1	Anti-reset windup
13	T0	Heat-side proportioning cycle time
14	P2	Cool-side proportional band
15	V1	Overlap/deadband
16	T1	Cool-side proportioning cycle time
17	PB	PV bias
18	F1	Digital filter
19	LK	Set data lock function
1A	EB	EEPROM storage mode
1B	EM	EEPROM storage status
1C	LA	Analog output specification selection
1D	HV	Analog output scale high
1E	HW	Analog output scale low

-
- IMPORTANT**
- Setting "Use system data area" to GP-Pro EX system area result in improper operation. Do not set "Use system data area."
-

- NOTE**
- System area setting that can be used for the temperature controller is reading area size only. Please refer to the GP-Pro EX Reference Manual for system data area.
Cf. GP-Pro EX Reference Manual "Appendix 1.4 LS Area (only for direct access method)"
 - Please refer to the precautions on manual notation for icons in the table.
☞ "Manual Symbols and Terminology"
 - Even if non-existing address is used, there are cases when read error is not indicated. In this case, zero (0) is kept for read out data. On the other hand, writing error is indicated.
-


6.8 SR Mini HG(H-PCP-A/B) Series

 This address can be specified as system data area.

Device	Bit Address	Word Address	32 bits	Notes
Communication identifier	01/0000.0-01/0055.F	01/0000-01/0055		*1 *2 *3
	02/0000.0-02/0055.F	02/0000-02/0055		
	03/0000.0-03/0055.F	03/0000-03/0055		
	04/0000.0-04/0055.F	04/0000-04/0055		
	05/0000.0-05/0055.F	05/0000-05/0055		
	06/0000.0-06/0055.F	06/0000-06/0055		
	07/0000.0-07/0055.F	07/0000-07/0055		
	08/0000.0-08/0055.F	08/0000-08/0055		
	09/0000.0-09/0055.F	09/0000-09/0055		
	10/0000.0-10/0055.F	10/0000-10/0055		
	11/0000.0-11/0055.F	11/0000-11/0055		
	12/0000.0-12/0055.F	12/0000-12/0055		
	13/0000.0-13/0055.F	13/0000-13/0055		
	14/0000.0-14/0055.F	14/0000-14/0055		
	15/0000.0-15/0055.F	15/0000-15/0055		
	16/0000.0-16/0055.F	16/0000-16/0055		
	17/0000.0-17/0055.F	17/0000-17/0055		
	18/0000.0-18/0055.F	18/0000-18/0055		
	19/0000.0-19/0055.F	19/0000-19/0055		
	20/0000.0-20/0055.F	20/0000-20/0055		

- *1 There are cases for which writing is not available depending on the device address. Check the identifying attributes of the external device's manual before use.
- *2 When bit is written, the indicator reads the corresponding word address of external device, assign a bit to the read word address, and return to the external device. There are cases when correct data cannot be written if the word address is written using a ladder program, while the indicator reads data of the external device and sends it back.
- *3 It is necessary to specify the channel number for a module supported by the identifier about SR-Mini-HG (H-PCP-A/B) and SR-Mini-HG (H-PCP-J) Series.

01/0000

 Channel number (Setting range: 01 to 20)

<Communication identifier list>

Address	Identifier	Description
00	M1	Temperature measured value
01	AA	Alarm 1 status
02	AB	Alarm 2 status
03	B1	Burnout status
04	O1	Heat-side manipulated output value
05	O2	Cool-side manipulated output value
06	AC	Heater break alarm status
07	M3	Current transformer input measured value 1
08	M4	Current transformer input measured value 2
09	MS	Set value monitor
0A	HE	Temperature rise completion status
0B	ER	Error code
0C	G1	PID/AT transfer
0D	S1	Temperature set value
0E	P1	Heat-side proportional band
0F	P2	Cool-side proportional band
10	I1	Integral time
11	D1	Derivative time
12	V1	Overlap/deadband
13	CA	Control response parameters
14	A1	Alarm 1 set value
15	A2	Alarm 2 set value
16	A3	Heater break alarm set value 1
17	A4	Heater break alarm set value 2
18	EI	Operation mode transfer
19	T0	Heat-side proportioning cycle time
1A	T1	Cool-side proportioning cycle time
1B	PB	PV bias
1C	SR	Control RUN/STOP transfer
1D	IN	Initial setting mode
1E	ZA	Memory area number
1F	AR	Alarm interlock release
20	J1	Auto/Manual transfer
21	ON	Manual output value
22	HD	Temperature rise completion range
23	HS	Temperature rise completion trigger
24	T3	Temperature rise completion soak time
25	M5	AI measured value
26	AD	AI alarm 1 status
27	AE	AI alarm 2 status
28	A5	AI alarm 1 set value
29	A6	AI alarm 2 set value
2A	J1	AI zero point correction
2B	JJ	AI full scale correction
2C	NJ	AI operation mode transfer
2D	AP	Control loop break alarm (LBA) status
2E	HP	LBA use selection
2F	C6	LBA time
30	V2	LBA deadband
31	M6	AO output value monitor
32	S6	AO output set value

Address	Identifier	Description
33	XO	AO function selection
34	OY	AO corresponding channel setting
35	CV	AO zooming high limit
36	CW	AO zooming low limit
37	JK	AO zero point correction
38	JL	AO full scale correction
39	L1	DI module input status (DI-A module)
3A	C2	CC-Link selecting flag
3B	Q3	Event DO status (DO-C module)
3C	Q4	Event DO manual output value (DO-C module)
3D	A7	Event DO extension alarm set value
3E	KH	Cascade monitor
3F	KF	Cascade ON/OFF
40	KG	Cascade gain
41	KI	Cascade bias
42	M7	TI measured value
43	AF	TI alarm 1 status
44	AG	TI alarm 2 status
45	B2	TI burnout status
46	A8	TI alarm 1 set value
47	A9	TI alarm 2 set value
48	PC	TI PV bias
49	EJ	TI operation mode transfer
4A	L3	PCP module DI status
4B	L4	Event DI contact input monitor (DI-B module)
4C	L5	Event DI logic input monitor
4D	Q5	Event DI logic output monitor
4E	AH	CT module heater break alarm status
4F	AJ	Comprehensive alarm status
50	M8	Positioning monitor
51	V3	Positioning output neutral zone
52	TJ	Motor time
53	OS	Integrated output limite
54	OO	Manual positioning output value
55	C1	Local/Computer transfer


IMPORTA • Setting "Use system data area" to GP-Pro EX system area result in improper operation. Do not set "Use system data area."


NOTE • System area setting that can be used for the temperature controller is reading area size only. Please refer to the GP-Pro EX Reference Manual for system data area.

Cf. GP-Pro EX Reference Manual "Appendix 1.4 LS Area (only for direct access method)"

- Please refer to the precautions on manual notation for icons in the table.
 - ☞ "Manual Symbols and Terminology"
- Even if non-existing address is used, there are cases when read error is not indicated. In this case, zero (0) is kept for read out data. On the other hand, writing error is indicated.


6.9 SR Mini HG(H-PCP-J) Series

 This address can be specified as system data area.

Device	Bit Address	Word Address	32 bits	Notes
Communication identifier	01/0000.0-01/0055.F	01/0000-01/0055		*1 *2 *3
	02/0000.0-02/0055.F	02/0000-02/0055		
	03/0000.0-03/0055.F	03/0000-03/0055		
	04/0000.0-04/0055.F	04/0000-04/0055		
	05/0000.0-05/0055.F	05/0000-05/0055		
	06/0000.0-06/0055.F	06/0000-06/0055		
	07/0000.0-07/0055.F	07/0000-07/0055		
	08/0000.0-08/0055.F	08/0000-08/0055		
	09/0000.0-09/0055.F	09/0000-09/0055		
	10/0000.0-10/0055.F	10/0000-10/0055		
	11/0000.0-11/0055.F	11/0000-11/0055		
	12/0000.0-12/0055.F	12/0000-12/0055		
	13/0000.0-13/0055.F	13/0000-13/0055		
	14/0000.0-14/0055.F	14/0000-14/0055		
	15/0000.0-15/0055.F	15/0000-15/0055		
	16/0000.0-16/0055.F	16/0000-16/0055		
	17/0000.0-17/0055.F	17/0000-17/0055		
	18/0000.0-18/0055.F	18/0000-18/0055		
	19/0000.0-19/0055.F	19/0000-19/0055		
	20/0000.0-20/0055.F	20/0000-20/0055		

- *1 There are cases for which writing is not available depending on the device address. Check the identifying attributes of the external device's manual before use.
- *2 When bit is written, the indicator reads the corresponding word address of external device, assign a bit to the read word address, and return to the external device. There are cases when correct data cannot be written if the word address is written using a ladder program, while the indicator reads data of the external device and sends it back.
- *3 It is necessary to specify the channel number for a module supported by the identifier about SR-Mini-HG (H-PCP-A/B) and SR-Mini-HG (H-PCP-J) Series.

01/0000

 Channel number (Setting range: 01 to 20)

<Communication identifier list>

Address	Identifier	Description
00	M1	Temperature measured value (PV) [H-TIO-□, H-CIO-A] / Motor speed measured value [H-SIO-A]
01	AA	Alarm 1 status [H-TIO-□, H-CIO-A, H-SIO-A]
02	AB	Alarm 2 status [H-TIO-□, H-CIO-A, H-SIO-A]
03	B1	Burnout status [H-TIO-□, H-CIO-A, H-SIO-A]
04	O1	Heat-side manipulated output value [H-TIO-□, H-CIO-A]
05	O2	Cool-side manipulated output value [H-TIO-□, H-CIO-A]
06	AC	Heater break alarm status [H-TIO-A/C/D, H-CIO-A]
07	M3	Current transformer input measured value 1 [H-TIO-A/C/D]
08	M4	Current transformer input measured value 2 [H-CT-A]
09	MS	Set value monitor [H-TIO-□, H-CIO-A, H-SIO-A]
0A	HE	Temperature rise completion status [H-TIO-□, H-CIO-A]
0B	ER	Error code [H-PCP-J]
0C	G1	PID/AT transfer [H-TIO-□, H-CIO-A, H-SIO-A]
0D	S1	Temperature set value (SV) [H-TIO-□, H-CIO-A] / Motor speed set value [H-SIO-A]
0E	P1	Heat-side proportional band [H-TIO-□, H-CIO-A, H-SIO-A]
0F	P2	Cool-side proportional band [H-TIO-□, H-CIO-A]
10	I1	Integral time [H-TIO-□, H-CIO-A, H-SIO-A]
11	D1	Derivative time [H-TIO-□, H-CIO-A, H-SIO-A]
12	V1	Overlap/deadband [H-TIO-□, H-CIO-A]
13	CA	Control response parameters [H-TIO-□, H-CIO-A, H-SIO-A]
14	A1	Alarm 1 set value [H-TIO-□, H-CIO-A, H-SIO-A]
15	A2	Alarm 2 set value [H-TIO-□, H-CIO-A, H-SIO-A]
16	A3	Heater break alarm set value 1 [H-TIO-A/C/D]
17	A4	Heater break alarm set value 2 [H-CT-A]
18	EI	Operation mode transfer [H-TIO-□, H-CIO-A, H-SIO-A]
19	T0	Heat-side proportioning cycle time [H-TIO-□, H-CIO-A]
1A	T1	Cool-side proportioning cycle time [H-TIO-□, H-CIO-A]
1B	PB	PV bias [H-TIO-□, H-CIO-A, H-SIO-A]
1C	SR	Control RUN/STOP transfer [H-PCP-J]
1D	IN	Initial setting mode [H-PCP-J]
1E	ZA	Memory area number [H-TIO-□, H-CIO-A, H-SIO-A]
1F	AR	Alarm interlock release [H-TIO-□, H-CIO-A, H-TI-□, H-AI-□]
20	J1	Auto/Manual transfer [H-TIO-□, H-CIO-A]
21	ON	Manual output value [H-TIO-□, H-CIO-A]
22	HD	Temperature rise completion range [H-TIO-□, H-CIO-A]
23	HS	Temperature rise completion trigger [H-TIO-□, H-CIO-A]
24	T3	Temperature rise completion soak time [H-TIO-□, H-CIO-A]
25	M5	AI measured value [H-AI-A/B]
26	AD	AI alarm 1 status [H-AI-A/B]
27	AE	AI alarm 2 status [H-AI-A/B]
28	A5	AI alarm 1 set value [H-AI-A/B]
29	A6	AI alarm 2 set value [H-AI-A/B]
2A	JI	AI zero point correction [H-AI-A/B]
2B	JJ	AI full scale correction [H-AI-A/B]
2C	NJ	AI operation mode transfer [H-AI-A/B]
2D	AP	Control loop break alarm (LBA) status [H-TIO-□, H-CIO-A]
2E	HP	LBA use selection [H-TIO-□, H-CIO-A]
2F	C6	LBA time [H-TIO-□, H-CIO-A]
30	V2	LBA deadband [H-TIO-□, H-CIO-A]
31	M6	AO output value monitor [H-AO-A/B]
32	S6	AO output set value [H-AO-A/B]


Address	Identifier	Description
33	XO	AO function selection [H-AO-A/B]
34	OY	AO corresponding channel setting [H-AO-A/B]
35	CV	AO zooming high limit [H-AO-A/B]
36	CW	AO zooming low limit [H-AO-A/B]
37	JK	AO zero point correction [H-AO-A/B]
38	JL	AO full scale correction [H-AO-A/B]
39	L1	H-DI-A module input status [H-DI-A]
3A	C2	CC-Link selecting flag
3B	Q3	Event DO status [H-DO-C]
3C	Q4	Event DO manual output value [H-DO-C]
3D	A7	Event DO extension alarm set value [H-DO-C]
3E	KH	Cascade monitor [H-CIO-A]
3F	KF	Cascade ON/OFF [H-CIO-A]
40	KG	Cascade gain [H-CIO-A]
41	KI	Cascade bias [H-CIO-A]
42	M7	TI measured value [H-TI-A/B/C]
43	AF	TI alarm 1 status [H-TI-A/B/C]
44	AG	TI alarm 2 status [H-TI-A/B/C]
45	B2	TI burnout status [H-TI-A/B/C]
46	A8	TI alarm 1 set value [H-TI-A/B/C]
47	A9	TI alarm 2 set value [H-TI-A/B/C]
48	PC	TI PV bias [H-TI-A/B/C]
49	EJ	TI operation mode transfer [H-TI-A/B/C]
4A	L3	PCP module DI status
4B	L4	Event DI contact input monitor [H-DI-B]
4C	L5	Event DI logic input monitor [H-DI-B]
4D	Q5	Event DI logic output monitor [H-DI-B]
4E	AH	H-CT-A module heater break alarm status [H-CT-A]
4F	AJ	Comprehensive alarm status [H-PCP-J]
50	M8	Positioning monitor [H-TIO-K]
51	V3	Positioning output neutral zone [H-TIO-K]
52	TJ	Motor time [H-TIO-K]
53	OS	Integrated output limiter [H-TIO-K]
54	OO	Manual positioning output value [H-TIO-K]
55	C1	Local/Computer transfer


IMPORTA • Setting "Use system data area" to GP-Pro EX system area result in improper operation. Do not set "Use system data area."

NOTE • System area setting that can be used for the temperature controller is reading area size only. Please refer to the GP-Pro EX Reference Manual for system data area.
Cf. GP-Pro EX Reference Manual "Appendix 1.4 LS Area (only for direct access method)"

- Please refer to the precautions on manual notation for icons in the table.
 - ☞ "Manual Symbols and Terminology"
- Even if non-existing address is used, there are cases when read error is not indicated. In this case, zero (0) is kept for read out data. On the other hand, writing error is indicated.

6.10 REX-F9000 Series

 This address can be specified as system data area.

Device	Bit Address	Word Address	32 bits	Notes
Communication identifier	0000.00-002F.1F	0000-002F		*1 *2

*1 There are cases for which writing is not available depending on the device address. Check the identifying attributes of the external device's manual before use.

*2 When bit is written, the indicator reads the corresponding word address of external device, assign a bit to the read word address, and return to the external device. There are cases when correct data cannot be written if the word address is written using a ladder program, while the indicator reads data of the external device and sends it back.

<Communication identifier list>

Address	Identifier	Description
00	M1	Measured-value(PV)
01	AA	First alarm output
02	AB	Second alarm output
03	O1	Manipulated output value(MV)
04	B1	Burnout
05	ER	Error code
06	G1	PID/AT transferPID control/auto-tuning transfer
07	J1	Auto/Manual transfer
08	SR	Operation execution (RUN)/STOP transfer
09	S1	Set value (SV)
0A	A1	First alarm setting
0B	A2	Second alarm setting
0C	P1	Proportional band
0D	I1	Integral time
0E	D1	Derivative time
0F	CA	Control response designation parameter
10	PB	PV bias
11	PC	Sensor bias
12	F1	digital filter
13	OH	Output limit (High limit)
14	OL	Output limit (Low limit)
15	GB	AT bias
16	HA	First alarm differential gap
17	TD	First alarm timer setting
18	HB	Second alarm differential gap
19	TG	Second alarm timer setting
1A	LA	Analog output Specification selection
1B	HV	Analog output Scale high limit
1C	HW	Analog output Scale low limit
1D	DA	Bar-graph display selection
1E	XI	Input type selection
1F	XU	Decimal-point position selection
20	JT	Power supply frequency
21	SH	Setting limit (High limit)
22	SL	Setting limit (Low limit)

Address	Identifier	Description
23	T0	Proportioning cycle(OUT1)
24	XE	Direct/reverse action selection
25	PF	Power feed forward
26	XA	Alarm 1 type selection
27	NA	First alarm Energized/de-energized selection
28	OA	First alarm Action selection at input abnormality
29	WA	First alarm Hold action selection
2A	XB	Alarm 2 type selection
2B	NB	Second alarm Energized/de-energized selection
2C	OB	Second alarm Action selection at input abnormality
2D	WB	Second alarm Hold action selection
2E	LK	Set data lock level
2F	LM	Mode lock level selection


IMPORTANT • Setting "Use system data area" to GP-Pro EX system area result in improper operation. Do not set "Use system data area."


NOTE • System area setting that can be used for the temperature controller is reading area size only. Please refer to the GP-Pro EX Reference Manual for system data area.

Cf. GP-Pro EX Reference Manual "Appendix 1.4 LS Area (only for direct access method)"

- Please refer to the precautions on manual notation for icons in the table.
 - ☞ "Manual Symbols and Terminology"
- Even if non-existing address is used, there are cases when read error is not indicated. In this case, zero (0) is kept for read out data. On the other hand, writing error is indicated.

6.11 REX-F Series

 This address can be specified as system data area.

Device	Bit Address	Word Address	32 bits	Notes
Communication identifier	0000.0-0055.F	0000-0055		*1 *2

- *1 There are cases for which writing is not available depending on the device address. Check the identifying attributes of the external device's manual before use.
- *2 When bit is written, the indicator reads the corresponding word address of external device, assign a bit to the read word address, and return to the external device. There are cases when correct data cannot be written if the word address is written using a ladder program, while the indicator reads data of the external device and sends it back.

<Communication identifier list>


Address	Identifier	Description
00	M1	Measured-value (PV) input
01	AA	First alarm output
02	AB	Second alarm output
03	AC	Heater break alarm output
04	O1	Manipulated output (Heating-side)
05	O2	Manipulated output (Cooling-side)
06	B1	Burnout
07	B2	Feedback resistance (FBR) input burnout
08	S2	Remote setting value (RS)
09	M2	Feedback resistance input value (POS)
0A	M3	Current transformer input value
0B	MS	Set-value (SV) monitoring
0C	J1	Auto/manual transfer
0D	C1	Local/remote transfer
0E	E1	Local/external memory area transfer
0F	ZA	Control area No. transfer
10	G1	PID control/auto-tuning transfer
11	RA	Local mode/computer mode identification
12	SR	Operation execution (RUN)/STOP transfer
13	ON	Manipulated output value (MV)
14	S1	Set-value (SV)
15	A1	First alarm setting
16	A2	Second alarm setting
17	P1	Proportional band (Heating-side)
18	I1	Integral time
19	D1	Derivative time
1A	CA	Control response designation parameter
1B	P2	Cooling-side proportional band
1C	V1	Deadband
1D	HH	Setting change rate limit
1E	PB	PV bias
1F	F1	PV digital filter
20	DP	PV low input cut-off
21	RR	RS ratio
22	RB	RS bias


Address	Identifier	Description
23	F2	RS digital filter
24	OH	Output limit (High limit)
25	OL	Output limit (Low limit)
26	OQ	Cooling output Min. ON time
27	PH	Increase in output change rate limit
28	PL	Decrease in output change rate limit
29	IV	Upper ON/OFF action (A) differential gap
2A	IW	Lower ON/OFF action (A) differential gap
2B	OE	Manual output at abnormality
2C	GB	AT bias
2D	HA	First alarm differential gap
2E	TD	First alarm timer setting
2F	A3	Heater break alarm
30	HB	Second alarm differential gap
31	TG	Second alarm timer setting
32	LA	Analog output (AO) Specification selection
33	HV	Analog output (AO) Scale high limit
34	HW	Analog output (AO) Scale low limit
35	V2	Neutral zone
36	VH	Open/close output differential gap
37	SY	Action selection at feedback resistance (FBR) input break
38	DA	Bar-graph display selection
39	XI	PV input type selection
3A	AV	Input abnormality determination point (High limit)
3B	AW	Input abnormality determination point (Low limit)
3C	WH	Action selection at input abnormality (High limit)
3D	WL	Action selection at input abnormality (Low limit)
3E	XV	Input programmable range (High limit)
3F	XW	Input programmable range (Low limit)
40	XU	Decimal-point position selection
41	XH	Square root extraction selection
42	SH	Setting limit (High limit)
43	SL	Setting limit (Low limit)
44	XR	RS input type selection
45	XL	SV tracking selection
46	T0	Proportioning cycle (Heating-side)
47	T1	Cooling-side proportioning cycle
48	XE	Direct/reverse action selection
49	XN	Hot/cold start selection
4A	SX	Start determination point
4B	XA	First alarm Action selection
4C	NA	First alarm Energized/de-energized selection
4D	OA	First alarm Action selection at input abnormality
4E	WA	First alarm Hold action selection
4F	XB	Second alarm Action selection
50	NB	Second alarm Energized/de-energized selection
51	OB	Second alarm Action selection at input abnormality
52	WB	Second alarm Hold action selection
53	LK	Set data lock level
54	LL	area lock
55	DH	Operation RUN/STOP display lock

-
- IMPORTANT**
- Setting "Use system data area" to GP-Pro EX system area result in improper operation. Do not set "Use system data area."
-

- NOTE**
- System area setting that can be used for the temperature controller is reading area size only. Please refer to the GP-Pro EX Reference Manual for system data area.
Cf. GP-Pro EX Reference Manual "Appendix 1.4 LS Area (only for direct access method)"
 - Please refer to the precautions on manual notation for icons in the table.
☞ "Manual Symbols and Terminology"
 - Even if non-existing address is used, there are cases when read error is not indicated. In this case, zero (0) is kept for read out data. On the other hand, writing error is indicated.
-

6.12 REX-D Series

 This address can be specified as system data area.

Device	Bit Address	Word Address	32 bits	Notes
Communication identifier	0000.0-003E.F	0000-003E		*1 *2

- *1 There are cases for which writing is not available depending on the device address. Check the identifying attributes of the external device's manual before use.
- *2 When bit is written, the indicator reads the corresponding word address of external device, assign a bit to the read word address, and return to the external device. There are cases when correct data cannot be written if the word address is written using a ladder program, while the indicator reads data of the external device and sends it back.

<Communication identifier list>

Address	Identifier	Description
00	M1	Measured-value(PV)
01	M2	First current transformer input value(CT1)
02	M3	Second current transformer input value(CT2)
03	AA	First alarm output
04	AB	Second alarm output
05	AC	Heater break alarm output 1
06	AD	Heater break alarm output 2
07	AE	Control loop break alarm
08	B1	Burnout
09	O1	Manipulated output 1(Heating-side)
0A	O2	Manipulated output 2(Cooling-side)
0B	MS	Set-value(SV)monitoring
0C	ER	Error data
0D	J1	AUTO/MAN transfer
0E	SR	RUN/STOP transfer
0F	G1	PID/Auto-tuning transfer
10	S1	Set-value(SV1)
11	ON	Manipulated output value(MV)
12	S2	Step set-value(SV2)
13	A1	First alarm setting
14	A2	Second alarm setting
15	A3	First heater break alarm setting
16	A4	Second heater break alarm setting
17	PB	PV bias
18	HH	SV change rate limit
19	XA	First alarm action selection
1A	HA	First alarm differential gap
1B	TD	First alarm timer setting
1C	A5	Control loop break alarm setting
1D	V3	LBA deadband
1E	XB	Second alarm action selection
1F	HB	Second alarm differential gap setting
20	TG	Second alarm timer setting
21	TH	HBA delay timer
22	P1	Proportional band(Heating-side)


Address	Identifier	Description
23	I1	Integral time
24	D1	Derivative time
25	W1	Anti-reset windup(ARW)
26	P2	Cooling-side proportional band
27	V1	Overlap/deadband
28	MH	ON/OFF action differential gap
29	MR	Manual reset
2A	XP	Fazzy
2B	T0	Proportioning cycle(OUT1)
2C	OH	Output limit(High-limit)
2D	OL	Output limit(Low-limit)
2E	XE	Direct/reverse action selection
2F	T1	Proportioning cycle(OUT2)
30	OI	Output limit(high-limit)(OUT2)
31	LA	Analog output specification selection
32	HV	High limit analog output range
33	HW	Low limit analog output range
34	XI	Input type selection
35	XV	Scaling high-limit
36	XW	Scaling low-limit
37	XU	Decimal-point position selection
38	PQ	AUTO/MAN function selection
39	DH	Control RUN/STOP display selection
3A	XR	Current transformer type selection
3B	XQ	Air cooling/water cooling selection
3C	GH	Auto-tuning(AT)differential gap
3D	WH	Action selection at input abnormality
3E	XO	Universal output selection


IMPORTANT • Setting "Use system data area" to GP-Pro EX system area result in improper operation. Do not set "Use system data area."

NOTE • System area setting that can be used for the temperature controller is reading area size only. Please refer to the GP-Pro EX Reference Manual for system data area.
 Cf. GP-Pro EX Reference Manual "Appendix 1.4 LS Area (only for direct access method)"

- Please refer to the precautions on manual notation for icons in the table.
 - ☞ "Manual Symbols and Terminology"
- Even if non-existing address is used, there are cases when read error is not indicated. In this case, zero (0) is kept for read out data. On the other hand, writing error is indicated.

6.13 REX-G9 Series

 This address can be specified as system data area.

Device	Bit Address	Word Address	32 bits	Notes
Communication identifier	0000.00-005E.1F	0000-005E		*1 *2

*1 There are cases for which writing is not available depending on the device address. Check the identifying attributes of the external device's manual before use.

*2 When bit is written, the indicator reads the corresponding word address of external device, assign a bit to the read word address, and return to the external device. There are cases when correct data cannot be written if the word address is written using a ladder program, while the indicator reads data of the external device and sends it back.

<Communication identifier list>

Address	Identifier	Description
00	M1	Measured-value (PV) input
01	AA	First alarm output
02	AB	Second alarm output
03	AC	Third alarm output
04	O1	Manipulated output1
05	B1	Burnout
06	B2	Feedback resistance (FBR) input burnout
07	S2	Remote setting value
08	M2	Feedback display
09	MS	Set-value (SV) monitoring
0A	J1	Auto/Manual transfer
0B	C1	Remote/Local transfer
0C	E1	Local/external memory area transfer
0D	ZA	Control area No. transfer
0E	G1	PID control/auto-tuning transfer
0F	RA	Computer mode/local mode identification
10	SR	Operation execution (RUN)/STOP transfer
11	ON	Manipulated output value
12	S1	Set-value (SV)
13	A1	First alarm setting
14	A2	Second alarm setting
15	A3	Third alarm setting
16	P1	Proportional band
17	I1	Integral time
18	D1	Derivative time
19	CA	Control response designation parameter
1A	PB	PV bias
1B	F1	PV digital filter
1C	VA	PV Moving average
1D	DP	PV low input cut-off
1E	HH	Setting change rate limiter (up)
1F	HL	Setting change rate limiter (down)
20	RR	RS ratio
21	RB	RS bias
22	F2	RS digital filter

Address	Identifier	Description
23	VB	RS Moving average
24	OH	Output limit (High limit)
25	OL	Output limit (Low limit)
26	PH	Increase in output change rate limit
27	PL	Decrease in output change rate limit
28	IV	Upper ON/OFF action (A) differential gap
29	IW	Lower ON/OFF action (A) differential gap
2A	DG	Derivative gain
2B	OE	Manual output at abnormality
2C	GB	AT bias
2D	G2	AT cycles
2E	HA	Alarm 1 hysteresis
2F	HB	Alarm 2 hysteresis
30	HC	Alarm 3 hysteresis
31	LA	Analog output 1 Specification selection
32	HV	Analog output 1 Scale high limit
33	HW	Analog output 1 Scale low limit
34	LB	Analog output 2 Specification selection
35	CV	Analog output 2 Scale high limit
36	CW	Analog output 2 Scale low limit
37	V2	Neutral zone
38	VH	Open/close hysteresis
39	SY	Action selection at feedback resistance (FBR) input break
3A	TL	Display update cycle
3B	DA	Deflection bar graph(display/non-display)
3C	DB	RS bar graph(display/non-display)
3D	DC	PV bar graph(display/non-display)
3E	DE	Range of display in deflection bar graph
3F	XI	PV input type selection
40	AV	Input abnormality determination point (High limit)
41	AW	Input abnormality determination point (Low limit)
42	WH	Action selection at input abnormality (High limit)
43	WL	Action selection at input abnormality (Low limit)
44	XV	Input programmable range (High limit)
45	XW	Input programmable range (Low limit)
46	PU	PV input unit
47	XU	Decimal-point position selection
48	XH	Square root extraction selection
49	SH	Setting limit (High limit)
4A	SL	Setting limit (Low limit)
4B	XR	RS input type selection
4C	XL	SV tracking selection
4D	T0	Output cycles
4E	XE	Direct/reverse action selection
4F	DT	Derivative cycle
50	XN	Hot/Cold start selection
51	XA	First alarm Action selection
52	NA	First alarm Energized/de-energized selection
53	OA	First alarm Action selection at input abnormality
54	WA	First alarm Hold action selection
55	XB	Second alarm Action selection
56	NB	Second alarm Energized/de-energized selection


Address	Identifier	Description
57	OB	Second alarm Action selection at input abnormality
58	WB	Second alarm Hold action selection
59	XC	Third alarm Action selection
5A	NC	Third alarm Energized/de-energized selection
5B	OC	Third alarm Action selection at input abnormality
5C	WC	Third alarm Hold action selection
5D	JT	Power supply frequency
5E	LK	Setting lock No.


IMPORTA • Setting "Use system data area" to GP-Pro EX system area result in improper operation. Do not set "Use system data area."

NOTE • System area setting that can be used for the temperature controller is reading area size only. Please refer to the GP-Pro EX Reference Manual for system data area.
 Cf. GP-Pro EX Reference Manual "Appendix 1.4 LS Area (only for direct access method)"

- Please refer to the precautions on manual notation for icons in the table.
 - ☞ "Manual Symbols and Terminology"
- Even if non-existing address is used, there are cases when read error is not indicated. In this case, zero (0) is kept for read out data. On the other hand, writing error is indicated.

6.14 REX-P300 Series

 This address can be specified as system data area.

Device	Bit Address	Word Address	32 bits	Notes
Communication identifier	0000.00-0078.1F	0000-0078		*1 *2

- *1 There are cases for which writing is not available depending on the device address. Check the identifying attributes of the external device's manual before use.
- *2 When bit is written, the indicator reads the corresponding word address of external device, assign a bit to the read word address, and return to the external device. There are cases when correct data cannot be written if the word address is written using a ladder program, while the indicator reads data of the external device and sends it back.

<Communication identifier list>

Address	Identifier	Description
00	M1	Measured value(PV)monitoring
01	S1	Set value(SV)monitoring
02	O1	Manipulated output monitoring 1 (Heat side)
03	O2	Manipulated output monitoring 2 (Cool side)
04	AA	First alarm monitoring
05	AB	Second alarm monitoring
06	B1	Burnout
07	PS	Pattern No.
08	SN	Segment No.
09	T1	Time signal output No.1 status
0A	T2	Time signal output No.2 status
0B	T3	Time signal output No.3 status
0C	T4	Time signal output No.4 status
0D	T5	Time signal output No.5 status
0E	T6	Time signal output No.6 status
0F	T7	Time signal output No.7 status
10	T8	Time signal output No.8 status
11	EO	Program end output
12	AC	OUT2 action output
13	AD	OUT3 action output
14	AE	OUT4 action output
15	ER	Error
16	TR	Segment remaining time
17	RT	No. of repeat execution times
18	ON	Manipulated output value(MV)
19	G1	PID/AT transfer
1A	XM	Operation mode
1B	EN	Program end status
1C	WT	Wait status
1D	HO	Hold status
1E	SK	Step function
1F	SM	Search function
20	LE	Segment level setting
21	TM	Segment time setting
22	PE	Program end No.

Address	Identifier	Description
23	RR	Setting of the number of program execution times
24	LP	Link pattern No.
25	ZW	Wait zone (For fall)
26	ZX	Wait zone (For rise)
27	ET	Pattern end output time
28	RE	Time signal output No.
29	SO	Start segment
2A	TO	ON time
2B	SF	End Segment
2C	TF	OFF time
2D	S2	FIX set value
2E	PB	PV bias
2F	PR	PV ratio
30	PW	Level PID setting1
31	PX	Level PID setting2
32	PY	Level PID setting3
33	F1	Digital filter
34	DP	Low level cut-off point
35	A1	First alarm setting
36	A2	Second alarm setting
37	XA	First alarm action selection
38	XB	Second alarm action selection
39	HA	First alarm differential gap
3A	HB	Second alarm differential gap
3B	TD	First alarm timer
3C	TG	Second alarm timer
3D	NA	First alarm energized/de-energized selection
3E	NB	Second alarm energized/de-energized selection
3F	P1	Proportional band 1
40	P3	Proportional band 2
41	P5	Proportional band 3
42	P7	Proportional band 4
43	I1	Integral time 1
44	I2	Integral time 2
45	I3	Integral time 3
46	I4	Integral time 4
47	D1	Derivative time 1
48	D2	Derivative time 2
49	D3	Derivative time 3
4A	D4	Derivative time 4
4B	W1	Anti-reset windup 1(ARW)
4C	W2	Anti-reset windup 2(ARW)
4D	W3	Anti-reset windup 3(ARW)
4E	W4	Anti-reset windup 4(ARW)
4F	P2	Cool side proportional band 1
50	P4	Cool side proportional band 2
51	P6	Cool side proportional band 3
52	P8	Cool side proportional band 4
53	V1	Deadband/Overlap 1 / Control motor neutral zone 1
54	V2	Deadband/Overlap 2 / Control motor neutral zone 2
55	V3	Deadband/Overlap 3 / Control motor neutral zone 3
56	V4	Deadband/Overlap 4 / Control motor neutral zone 4


Address	Identifier	Description
57	XP	Fuzzy function 1
58	FW	Fuzzy function 2
59	FX	Fuzzy function 3
5A	FY	Fuzzy function 4
5B	TC	Output cycle 1 / Control motor time
5C	T0	Output cycle 2
5D	OH	Output limit(High limit) / Integrated output limit
5E	OL	Output limit(Low limit)
5F	XE	Direct/reverse action selection
60	KB	OUT2 action selection
61	A3	OUT2 set value
62	XC	OUT3 action selection
63	A4	OUT3 set value
64	XD	OUT4 action selection
65	A5	OUT4 set value
66	LA	Analog output selection
67	HV	Analog output scaling high limit
68	HW	Analog output scaling low limit
69	XI	Input type selection
6A	XV	Scale high limit
6B	XW	Scale low limit
6C	XU	Decimal point position
6D	SS	SV at program start
6E	X1	Control state at program end
6F	XN	Control output value during reset / Control state selection during reset
70	XK	Control input pattern entry method
71	XQ	Water cooling/air cooling selection at heat/cool control
72	PD	Start mode selection
73	GH	Autotuning(AT) differential gap
74	JT	Power frequency
75	B2	Action selection at burnout occurrence
76	WH	Action selection for abnormal PV input
77	XH	Selection of Use/Non-use of square root extraction function
78	PU	Setting time unit selection

IMPORTANT • Setting "Use system data area" to GP-Pro EX system area result in improper operation. Do not set "Use system data area."

NOTE • System area setting that can be used for the temperature controller is reading area size only. Please refer to the GP-Pro EX Reference Manual for system data area.
Cf. GP-Pro EX Reference Manual "Appendix 1.4 LS Area (only for direct access method)"

- Please refer to the precautions on manual notation for icons in the table.
 - ☞ "Manual Symbols and Terminology"
- Even if non-existing address is used, there are cases when read error is not indicated. In this case, zero (0) is kept for read out data. On the other hand, writing error is indicated.

6.15 REX-P250 Series

 This address can be specified as system data area.

Device	Bit Address	Word Address	32 bits	Notes
Communication identifier	0000.0-0024.F	0000-0024	<input type="checkbox"/> L / <input type="checkbox"/> H	*1 *2

- *1 There are cases for which writing is not available depending on the device address. Check the identifying attributes of the external device's manual before use.
- *2 When bit is written, the indicator reads the corresponding word address of external device, assign a bit to the read word address, and return to the external device. There are cases when correct data cannot be written if the word address is written using a ladder program, while the indicator reads data of the external device and sends it back.

<Communication identifier list>

Address	Identifier	Description
00	M1	Measured-value(PV)
01	S1	Set-value(SV)during operation
02	ON	Manipulated-value(MV)or Manual control output set-value
03	TR	Segment remaining time
04	RT	The number of program execution times
05	M2	Opening feedback input value or Current transformer input value
06	AA	Alarm 1 output
07	AB	Alarm 2 output
08	B1	Burnout
09	HO	Hold status
0A	EN	End status
0B	WT	Wait status
0C	T1	Time signal No.1 status
0D	T2	Time signal No.2 status
0E	T3	Time signal No.3 status
0F	T4	Time signal No.4 status
10	XM	Operation mode
11	PS	Execution pattern
12	SN	Execution segment
13	RA	COMP/LOC identification
14	G1	AT/PID identification
15	TT	AT learning function
16	SK	Step function
17	S2	Set-value(SV)
18	PP	PID memory NO.
19	AP	Alarm memory NO.
1A	PQ	PID memory NO.
1B	AQ	Alarm memory NO.
1C	PB	PV bias
1D	HA	Alarm 1 hysteresis band
1E	HB	Alarm 2 hysteresis band
1F	TC	Proportional cycle setting
20	F1	Digital filter
21	XN	Start mode selection
22	SS	Set-value(SV)selection at start[Program control]

Address	Identifier	Description
23	ER	Error code
24	CL	Data all clear


IMPORTANT • Setting "Use system data area" to GP-Pro EX system area result in improper operation. Do not set "Use system data area."


NOTE • System area setting that can be used for the temperature controller is reading area size only. Please refer to the GP-Pro EX Reference Manual for system data area.

Cf. GP-Pro EX Reference Manual "Appendix 1.4 LS Area (only for direct access method)"

- Please refer to the precautions on manual notation for icons in the table.
 - ☞ "Manual Symbols and Terminology"
- Even if non-existing address is used, there are cases when read error is not indicated. In this case, zero (0) is kept for read out data. On the other hand, writing error is indicated.

6.16 REX-AD Series

 This address can be specified as system data area.

Device	Bit Address	Word Address	32 bits	Notes
Communication identifier	0000.0-003B.F	0000-003B		*1 *2

- *1 There are cases for which writing is not available depending on the device address. Check the identifying attributes of the external device's manual before use.
- *2 When bit is written, the indicator reads the corresponding word address of external device, assign a bit to the read word address, and return to the external device. There are cases when correct data cannot be written if the word address is written using a ladder program, while the indicator reads data of the external device and sends it back.

<Communication identifier list>

Address	Identifier	Description
00	M1	Measured-value(PV)
01	AA	First alarm monitor
02	AB	Second alarm monitor
03	AC	Third alarm monitor
04	AD	Fourth alarm monitor
05	AE	Fifth alarm monitor
06	AF	Sixth alarm monitor
07	AG	EXCEED monitor
08	B1	Burnout
09	ER	Error data
0A	HP	Peak hold monitor
0B	HQ	Bottom hold monitor
0C	TM	Time duration monitor
0D	HR	Hold reset
0E	IR	Interlock release
0F	A1	First alarm setting
10	A2	Second alarm setting
11	A3	Third alarm setting
12	A4	Fourth alarm setting
13	A5	Fifth alarm setting
14	A6	Sixth alarm setting
15	PB	PV bias
16	F1	Digital filter
17	XA	First alarm action selection
18	QA	First alarm interlock
19	NA	First alarm Energized/De-energized
1A	HA	First alarm differential gap
1B	TD	First alarm timer setting selection
1C	XB	Second alarm action selection
1D	QB	Second alarm interlock
1E	NB	Second alarm Energized/De-energized
1F	HB	Second alarm differential gap
20	TG	Second alarm timer setting selection
21	XC	Third alarm action selection
22	QC	Third alarm interlock


Address	Identifier	Description
23	NC	Third alarm Energized/De-energized
24	HC	Third alarm differential gap
25	TH	Third alarm timer setting selection
26	XD	Fourth alarm action selection
27	QD	Fourth alarm interlock
28	ND	Fourth alarm Energized/De-energized
29	HD	Fourth alarm differential gap
2A	TI	Fourth alarm timer setting selection
2B	XE	Fifth alarm action selection
2C	QE	Fifth alarm interlock
2D	NE	Fifth alarm Energized/De-energized
2E	HE	Fifth alarm differential gap
2F	TJ	Fifth alarm timer setting selection
30	XF	Sixth alarm action selection
31	QF	Sixth alarm interlock
32	NF	Sixth alarm Energized/De-energized
33	HF	Sixth alarm differential gap
34	TK	Sixth alarm timer setting selection
35	HV	Analog output high-limit set-value
36	HW	Analog output low-limit set-value
37	XI	Input type selection
38	XV	Scaling high-limit setting
39	XW	Scaling low-limit setting
3A	XU	Decimal point position selection
3B	TS	Time unit selection setting


IMPORTA • Setting "Use system data area" to GP-Pro EX system area result in improper operation. Do not set "Use system data area."

NOTE • System area setting that can be used for the temperature controller is reading area size only. Please refer to the GP-Pro EX Reference Manual for system data area.
Cf. GP-Pro EX Reference Manual "Appendix 1.4 LS Area (only for direct access method)"

- Please refer to the precautions on manual notation for icons in the table.
 - ☞ "Manual Symbols and Terminology"
- Even if non-existing address is used, there are cases when read error is not indicated. In this case, zero (0) is kept for read out data. On the other hand, writing error is indicated.

6.17 REX-PG Series

 This address can be specified as system data area.

Device	Bit Address	Word Address	32 bits	Notes
Communication identifier	0000.0-0021.F	0000-0021		*1 *2

- *1 There are cases for which writing is not available depending on the device address. Check the identifying attributes of the external device's manual before use.
- *2 When bit is written, the indicator reads the corresponding word address of external device, assign a bit to the read word address, and return to the external device. There are cases when correct data cannot be written if the word address is written using a ladder program, while the indicator reads data of the external device and sends it back.


<Communication identifier list>


Address	Identifier	Description
00	M1	Measured-value (PV)
01	AA	Alarm 1 monitor
02	AB	Alarm 2 monitor
03	B1	Burnout
04	ER	Error data
05	HP	Peak hold monitor
06	HQ	Bottom hold monitor
07	AZ	Auto 0
08	HR	Hold reset
09	IR	Alarm interlock release
0A	A1	First alarm setting
0B	A2	Second alarm setting
0C	IB	Operation selection when input break
0D	TL	Display time setting
0E	XA	First alarm Action selection
0F	QA	First alarm interlock function
10	NA	First alarm Energized/de-energized selection
11	HA	First alarm differential gap
12	TD	First alarm timer setting
13	XB	Second alarm Action selection
14	QB	Second alarm interlock function
15	NB	Second alarm Energized/de-energized selection
16	HB	Second alarm differential gap
17	TG	Second alarm timer setting
18	HW	Low limit analog output range
19	HV	High limit analog output range
1A	TO	Analog output time setting
1B	XI	Input type selection
1C	GA	Gain setting
1D	PU	Pressure unit setting
1E	XU	Decimal-point position selection
1F	XW	Pressure display low limit setting
20	XV	Pressure display high limit setting
21	LI	Linearizing type selection

-
- IMPORTANT**
- Setting "Use system data area" to GP-Pro EX system area result in improper operation. Do not set "Use system data area."
-

- NOTE**
- System area setting that can be used for the temperature controller is reading area size only. Please refer to the GP-Pro EX Reference Manual for system data area.
Cf. GP-Pro EX Reference Manual "Appendix 1.4 LS Area (only for direct access method)"
 - Please refer to the precautions on manual notation for icons in the table.
☞ "Manual Symbols and Terminology"
 - Even if non-existing address is used, there are cases when read error is not indicated. In this case, zero (0) is kept for read out data. On the other hand, writing error is indicated.
-

6.18 AE500 Series

 This address can be specified as system data area.

Device	Bit Address	Word Address	32 bits	Notes
Communication identifier	0000.0-0012.F	0000-0012		*1 *2


- *1 There are cases for which writing is not available depending on the device address. Check the identifying attributes of the external device's manual before use.
- *2 When bit is written, the indicator reads the corresponding word address of external device, assign a bit to the read word address, and return to the external device. There are cases when correct data cannot be written if the word address is written using a ladder program, while the indicator reads data of the external device and sends it back.

<Communication identifier list>


Address	Identifier	Description
00	M1	Measured value (PV)
01	AA	Alarm 1 monitor
02	AB	Alarm 2 monitor
03	AC	Alarm 3 monitor
04	AD	Alarm 4 monitor
05	B1	Burnout
06	ER	Error code
07	A1	Alarm 1 setting
08	A2	Alarm 2 setting
09	A3	Alarm 3 setting
0A	A4	Alarm 4 setting
0B	HA	Alarm 1 differential gap setting
0C	HB	Alarm 2 differential gap setting
0D	HC	Alarm 3 differential gap setting
0E	HD	Alarm 4 differential gap setting
0F	PB	PV bias
10	HV	Analog output scale high
11	HW	Analog output scale low
12	LK	Set data lock function


IMPORTANT • Setting "Use system data area" to GP-Pro EX system area result in improper operation. Do not set "Use system data area."

NOTE • System area setting that can be used for the temperature controller is reading area size only. Please refer to the GP-Pro EX Reference Manual for system data area.
Cf. GP-Pro EX Reference Manual "Appendix 1.4 LS Area (only for direct access method)"

- Please refer to the precautions on manual notation for icons in the table.
 -  "Manual Symbols and Terminology"
- Even if non-existing address is used, there are cases when read error is not indicated. In this case, zero (0) is kept for read out data. On the other hand, writing error is indicated.

6.19 LE100 Series

 This address can be specified as system data area.

Device	Bit Address	Word Address	32 bits	Notes
Communication identifier	0000.0-0072.F	0000-0072		*1 *2

- *1 There are cases for which writing is not available depending on the device address. Check the identifying attributes of the external device's manual before use.
- *2 When bit is written, the indicator reads the corresponding word address of external device, assign a bit to the read word address, and return to the external device. There are cases when correct data cannot be written if the word address is written using a ladder program, while the indicator reads data of the external device and sends it back.

<Communication identifier list>

Address	Identifier	Description
00	M1	Measured value (PV)
01	AA	Output 1 status
02	AB	Output 2 status
03	AC	Output 3 status
04	AD	Output 4 status
05	AE	Output 5 status
06	AF	Output 6 status
07	AG	Output 7 status
08	AH	Output 8 status
09	B1	Burnout
0A	ER	Error code
0B	ID	ID data
0C	ID	ID data
0D	ID	ID data
0E	MS	Specific gravity monitor
0F	ML	Scale low monitor
10	MH	Scale high monitor
11	HP	Peak hold monitor
12	HQ	Bottom hold monitor
13	MW	Number of wafer processing times monitor
14	MZ	Amount of emptiness correction monitor
15	A1	Output 1 set value
16	A2	Output 2 set value
17	A3	Output 3 set value
18	A4	Output 4 set value
19	A5	Output 5 set value
1A	A6	Output 6 set value
1B	A7	Output 7 set value
1C	A8	Output 8 set value
1D	A9	Actual liquid output setting
1E	AZ	Emptiness adjustment
1F	WT	Number of wafer processing times
20	CW	Initializing the number of wafer processing times
21	HR	Hold reset
22	IR	Interlock release

Address	Identifier	Description
23	LK	Set data lock
24	IS	Default setting
25	EC	Error release
26	LU	Decimal point position selection
27	LT	Number of linearizing table setting
28	L0	Linearizing table setting 0
29	L1	Linearizing table setting 1
2A	L2	Linearizing table setting 2
2B	L3	Linearizing table setting 3
2C	L4	Linearizing table setting 4
2D	L5	Linearizing table setting 5
2E	L6	Linearizing table setting 6
2F	L7	Linearizing table setting 7
30	L8	Linearizing table setting 8
31	L9	Linearizing table setting 9
32	LA	Linearizing table setting 10
33	F1	Digital filter
34	XA	Output 1 type selection
35	DA	Output 1 deviation value setting
36	QA	Output 1 interlocking function selection
37	NA	Output 1 a/b contact selection
38	HA	Output 1 differential gap
39	TA	Output 1 timer setting
3A	XB	Output 2 type selection
3B	DB	Output 2 deviation value setting
3C	QB	Output 2 interlocking function selection
3D	NB	Output 2 a/b contact selection
3E	HB	Output 2 differential gap
3F	TB	Output 2 timer setting
40	XC	Output 3 type selection
41	DC	Output 3 deviation value setting
42	QC	Output 3 interlocking function selection
43	NC	Output 3 a/b contact selection
44	HC	Output 3 differential gap
45	TC	Output 3 timer setting
46	XD	Output 4 type selection
47	DD	Output 4 deviation value setting
48	QD	Output 4 interlocking function selection
49	ND	Output 4 a/b contact selection
4A	HD	Output 4 differential gap
4B	TD	Output 4 timer setting
4C	XE	Output 5 type selection
4D	DE	Output 5 deviation value setting
4E	QE	Output 5 interlocking function selection
4F	NE	Output 5 a/b contact selection
50	HE	Output 5 differential gap
51	TE	Output 5 timer setting
52	XF	Output 6 type selection
53	DF	Output 6 deviation value setting
54	QF	Output 6 interlocking function selection
55	NF	Output 6 a/b contact selection
56	HF	Output 6 differential gap

Address	Identifier	Description
57	TF	Output 6 timer setting
58	XG	Output 7 type selection
59	DG	Output 7 deviation value setting
5A	QG	Output 7 interlocking function selection
5B	NG	Output 7 a/b contact selection
5C	HG	Output 7 differential gap
5D	TG	Output 7 timer setting
5E	XH	Output 8 type selection
5F	DH	Output 8 deviation value setting
60	QH	Output 8 interlocking function selection
61	NH	Output 8 a/b contact selection
62	HH	Output 8 differential gap
63	TH	Output 8 timer setting
64	HV	Monitor output high
65	HW	Monitor output low
66	EG	End specific gravity setting
67	SW	Number of wafer processing times setting
68	XX	Scale low
69	SG	Specific gravity setting
6A	J1	Scale 1 actual liquid setting
6B	J2	Scale 2 actual liquid setting
6C	J3	Correction on the low limit side by actual liquid 2
6D	J4	Correction on the high limit side by actual liquid 2
6E	UN	Unit setting
6F	SP	Specific gravity setting transfer
70	SS	Specific gravity correction function selection
71	DS	DI function selection
72	MM	Volume/level display selection

IMPORTANT • Setting "Use system data area" to GP-Pro EX system area result in improper operation. Do not set "Use system data area."

NOTE • System area setting that can be used for the temperature controller is reading area size only. Please refer to the GP-Pro EX Reference Manual for system data area.
 Cf. GP-Pro EX Reference Manual "Appendix 1.4 LS Area (only for direct access method)"

- Please refer to the precautions on manual notation for icons in the table.
 - ☞ "Manual Symbols and Terminology"
- Even if non-existing address is used, there are cases when read error is not indicated. In this case, zero (0) is kept for read out data. On the other hand, writing error is indicated.

7 Device Code and Address Code

Use device code and address code when you select "Device Type & Address" for the address type in data displays.

7.1 CB Series

Device	Device Name	Device Code (HEX)	Address Code
Communication identifier	-	0080	Word Address

7.2 FB Series

Device	Device Name	Device Code (HEX)	Address Code
Communication identifier	-	0080	Word Address

7.3 HA Series

Device	Device Name	Device Code (HEX)	Address Code
Communication identifier	-	0080	Word Address

7.4 MA Series

Device	Device Name	Device Code (HEX)	Address Code
Communication identifier	-	0080	Word Address

7.5 SRV Series

Device	Device Name	Device Code (HEX)	Address Code
Communication identifier	-	0080	Word Address

7.6 SRX Series

Device	Device Name	Device Code (HEX)	Address Code
Communication identifier	-	0080	Word Address

7.7 SA Series

Device	Device Name	Device Code (HEX)	Address Code
Communication identifier	-	0080	Word Address

7.8 SR Mini HG(H-PCP-A/B) Series

Device	Device Name	Device Code (HEX)	Address Code
Communication identifier	-	0080	Word Address
	-	0180	
	-	0280	
	-	0380	
	-	0480	
	-	0580	
	-	0680	
	-	0780	
	-	0880	
	-	0980	
	-	0A80	
	-	0B80	
	-	0C80	
	-	0D80	
	-	0E80	
	-	0F80	
	-	1080	
	-	1180	
-	1280		
-	1380		

7.9 SR Mini HG(H-PCP-J) Series

Device	Device Name	Device Code (HEX)	Address Code
Communication identifier	-	0080	Word Address
	-	0180	
	-	0280	
	-	0380	
	-	0480	
	-	0580	
	-	0680	
	-	0780	
	-	0880	
	-	0980	
	-	0A80	
	-	0B80	
	-	0C80	
	-	0D80	
	-	0E80	
	-	0F80	
	-	1080	
	-	1180	
-	1280		
-	1380		

7.10 REX-F9000 Series

Device	Device Name	Device Code (HEX)	Address Code
Communication identifier	-	0080	Word Address

7.11 REX-F Series

Device	Device Name	Device Code (HEX)	Address Code
Communication identifier	-	0080	Word Address

7.12 REX-D Series

Device	Device Name	Device Code (HEX)	Address Code
Communication identifier	-	0080	Word Address

7.13 REX-G9 Series

Device	Device Name	Device Code (HEX)	Address Code
Communication identifier	-	0080	Word Address

7.14 REX-P300 Series

Device	Device Name	Device Code (HEX)	Address Code
Communication identifier	-	0080	Word Address

7.15 REX-P250 Series

Device	Device Name	Device Code (HEX)	Address Code
Communication identifier	-	0080	Word Address

7.16 REX-AD Series

Device	Device Name	Device Code (HEX)	Address Code
Communication identifier	-	0080	Word Address

7.17 REX-PG Series

Device	Device Name	Device Code (HEX)	Address Code
Communication identifier	-	0080	Word Address

7.18 AE500 Series

Device	Device Name	Device Code (HEX)	Address Code
Communication identifier	-	0080	Word Address

7.19 LE100 Series

Device	Device Name	Device Code (HEX)	Address Code
Communication identifier	-	0080	Word Address

8 Error Messages

Error messages are displayed on the screen of Display as follows: "No. : Device Name: Error Message (Error Occurrence Area)". Each description is shown below.

Item	Description
No.	Error No.
Device Name	Name of External Device where error occurs. Device name is a title of External Device set with GP-Pro EX.(Initial value [PLC1])
Error Message	Displays messages related to the error which occurs.
Error Occurrence Area	<p>Displays IP address or device address of External Device where error occurs, or error codes received from External Device.</p> <p>NOTE</p> <ul style="list-style-type: none"> • IP address is displayed such as "IP address (Decimal): MAC address (Hex)". • Device address is displayed such as "Address: Device address". • Received error codes are displayed such as "Decimal [Hex]".

Display Examples of Error Messages

"RHAA035: PLC1: Error has been responded for device write command (Error Code: 2 [02H])"

NOTE

- Please refer to the manual of External Device for more detail of received error codes.
- Please refer to "When an error message is displayed (Error code list)" of "Maintenance/Troubleshooting" for a common error message to the driver.

