



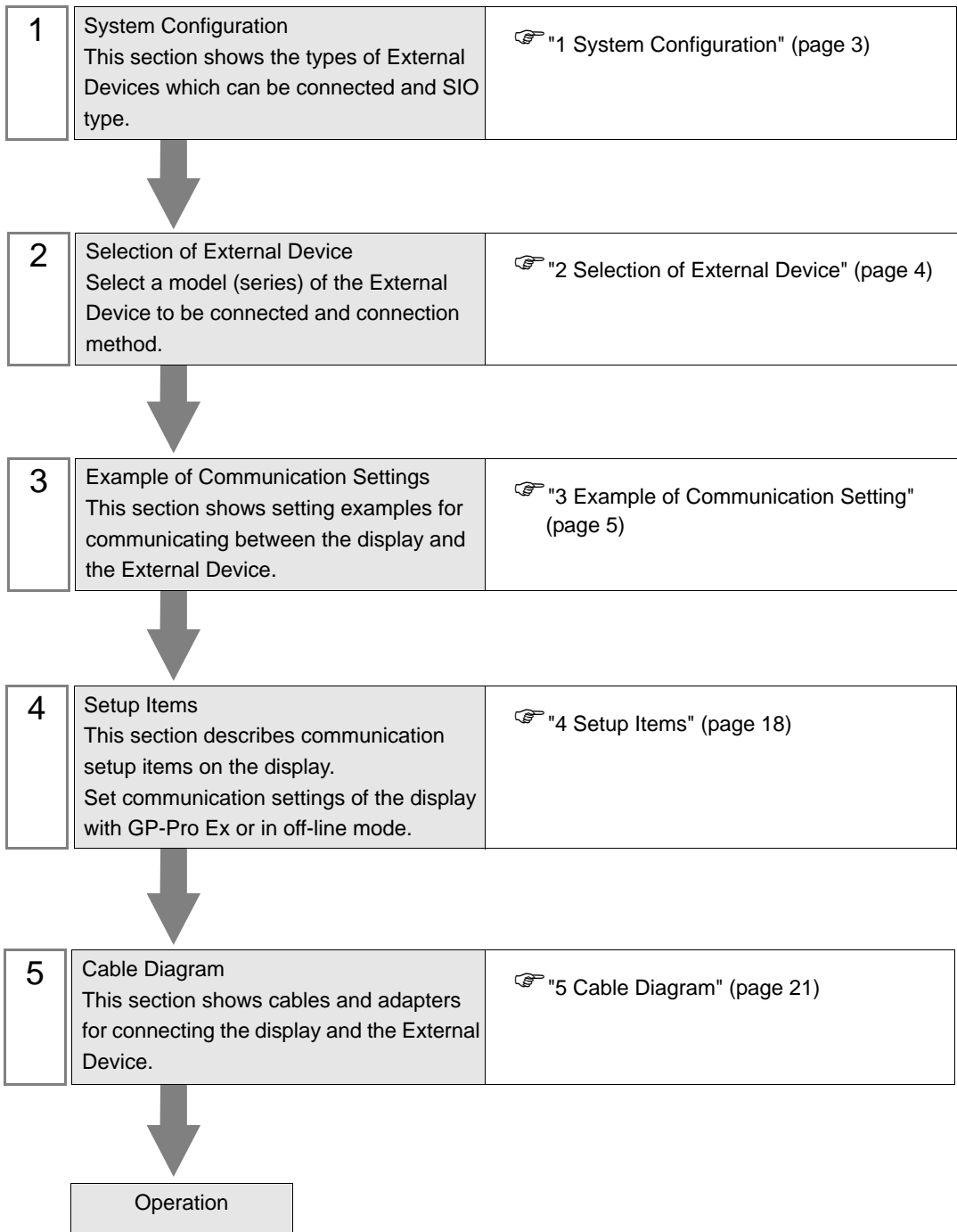
# KV-700/1000 Series CPU Direct Driver

1	System Configuration.....	3
2	Selection of External Device .....	4
3	Example of Communication Setting.....	5
4	Setup Items.....	18
5	Cable Diagram .....	21
6	Supported Device.....	27
7	Device Code and Address Code.....	30
8	Error Messages.....	32

## Introduction

This manual describes how to connect the display (GP3000 series) and the External Device (target PLC).

In this manual, the connection procedure will be described by following the below sections:



# 1 System Configuration

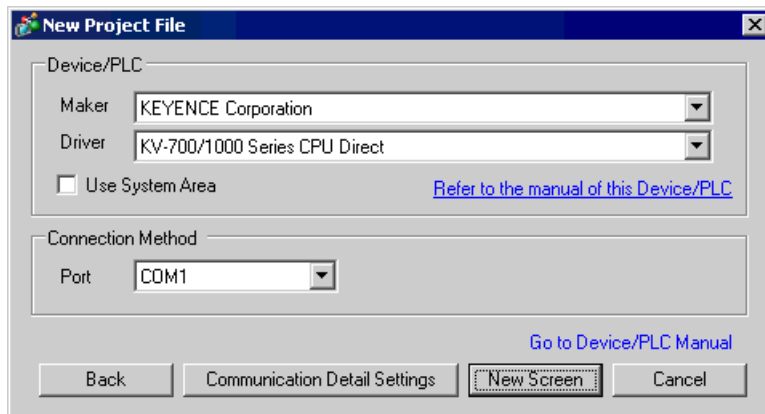
The system configuration in the case when the External Device of KEYENCE Corporation and the display are connected is shown.

Series	CPU	Link I/F	SIO Type	Setting Example	Cable Diagram		
KV-700 Series	KV-700	CPU Direct*1	RS232C	Setting Example 1 (page 5)	Cable Diagram 1 (page 21)		
		KV-L20	RS232C (Port 1 connection)	Setting Example 2 (page 6)	Cable Diagram 2 (page 22)		
			RS232C (Port 2 connection)	Setting Example 4 (page 10)	Cable Diagram 3 (page 23)		
			RS422/485 (4wire) (Port 2 connection)	Setting Example 6 (page 14)	Cable Diagram 4 (page 24)		
		KV-L20R	RS232C (Port 1 connection)	Setting Example 3 (page 8)	Cable Diagram 2 (page 22)		
			RS232C (Port 2 connection)	Setting Example 5 (page 12)	Cable Diagram 3 (page 23)		
			RS422/485 (4wire) (Port 2 connection)	Setting Example 7 (page 16)	Cable Diagram 4 (page 24)		
		KV-1000 Series	KV-1000	CPU Direct*1	RS232C	Setting Example 1 (page 5)	Cable Diagram 1 (page 21)
				KV-L20R	RS232C (Port 1 connection)	Setting Example 3 (page 8)	Cable Diagram 2 (page 22)
RS232C (Port 2 connection)	Setting Example 5 (page 12)				Cable Diagram 3 (page 23)		
RS422/485 (4wire) (Port 2 connection)	Setting Example 7 (page 16)				Cable Diagram 4 (page 24)		

\*1 Using modular connector on CPU

## 2 Selection of External Device

Select the External Device to be connected to the display.



Setup Items	Setup Description
Maker	Select the maker of the External Device to be connected. Select "KEYENCE Corporation".
Series	Select a model (series) of the External Device to be connected and connection method. Select "KV-700/1000 Series CPU Direct". Check the External Device which can be connected in "KV-700/1000 Series CPU Direct" in system configuration. ☞ "1 System Configuration" (page 3)
Use System Area	Check this option when you synchronize the system data area of Display and the device (memory) of External Device. When synchronized, you can use the ladder program of External Device to switch the display or display the window on the display. Cf. GP-Pro EX Reference Manual "Appendix 1.4 LS Area (only for direct access method)" This can be also set with GP-Pro EX or in off-line mode of Display. Cf. GP-Pro EX Reference Manual " 6.13.6 Setting Guide of [System Setting Window]■[Main Unit Settings] Settings Guide◆System Area Setting" Cf. GP3000 Series User Manual "4.3.6 System Area Setting"
Port	Select the display port to be connected to the External Device.

### 3 Example of Communication Setting

Examples of communication settings of the display and the External Device, recommended by Pro-face, are shown.

#### 3.1 Setting Example 1

##### ■ Settings of GP-Pro EX

To display the setting screen, select [Device/PLC Settings] from [System setting window] in workspace.

Device/PLC 1

Summary [Change Device/PLC](#)

Maker  Series  Port

Text Data Mode  [Change](#)

Communication Settings

SID Type  RS232C  RS422/485(2wire)  RS422/485(4wire)

Speed

Data Length  7  8

Parity  NONE  EVEN  ODD

Stop Bit  1  2

Flow Control  NONE  ER(DTR/CTS)  XON/XOFF

Timeout  (sec)

Retry

Wait To Send  (ms)

RI / VCC  RI  VCC

In the case of RS232C, you can select the 9th pin to RI (Input) or VCC (5V Power Supply). If you use the Digital's RS232C Isolation Unit, please select it to VCC.

Device-Specific Settings

Allowable No. of Device/PLCs 1 Unit(s)

No.	Device Name	Settings
1	PLC1	

**NOTE** • You can set the speed to 9600-57600 for KV-700 Series, 9600-115200 for KV-1000 Series.

##### ■ Settings of External Device

There is no setting on the External Device. The speed automatically switches according to the display setting.

## 3.2 Setting Example 2

### ■ Settings of GP-Pro EX

To display the setting screen, select [Device/PLC Settings] from [System setting window] in workspace.

**NOTE** • You can set the speed to 9600-57600 for KV-700 Series, 9600-115200 for KV-1000 Series.

### ■ Settings of External Device

- (1) Execute [New Project] from [File] on the menu bar of the ladder software "KV STUDIO".
- (2) Enter the optional project name in the [New Project] dialog box. Check that [Support Model] shows the External Device, and click [OK].
- (3) The project is created, and you are asked if you set the unit configuration or not. Click [Yes].
- (4) The [Unit Editor] window is displayed. Click the [Unit Selection (2)] tab on the right of the window. Select "KV-L20" from the displayed unit list, and drag & drop it to the unit placement area on the left of the window.

- (5) Double-click KV-L20, the External Device in the unit placement area. The [Unit Settings (3)] tab on the right of the window is displayed. The setting list of KV-L20 is displayed. Perform the communication settings as below.

Setup Items		Setup Description
Port 1	Operation Mode	KV-BUILDER Mode
	Interface	RS-232C
	Baud rate	Auto
	Data Bit Length	8 bits
	Start Bit	1 bit
	Stop Bit	1 bit
	Parity	Even
	Check Sum	None
	RS/CS Flow Control	Disable

- (6) Next, execute [Relay/DM Auto Assign] from [Convert] on the menu bar.
- (7) Execute [Save and Exit] from [File] on the menu bar.

### 3.3 Setting Example 3

#### ■ Settings of GP-Pro EX

To display the setting screen, select [Device/PLC Settings] from [System setting window] in workspace.

**NOTE** • You can set the speed to 9600-57600 for KV-700 Series, 9600-115200 for KV-1000 Series.

#### ■ Settings of External Device

- (1) Execute [New Project] from [File] on the menu bar of the ladder software "KV STUDIO".
- (2) Enter the optional project name in the [New Project] dialog box. Check that [Support Model] shows the External Device, and click [OK].
- (3) The project is created, and you are asked if you set the unit configuration or not. Click [Yes].
- (4) The [Unit Editor] window is displayed. Click the [Unit Selection (2)] tab on the right of the window. Select "KV-L20R" from the displayed unit list, and drag & drop it to the unit placement area on the left of the window.



- (5) Double-click KV-L20R, the External Device in the unit placement area. The [Unit Settings (3)] tab on the right of the window is displayed. The setting list of KV-L20R is displayed. Perform the communication settings as below.

Setup Items		Setup Description
Port 1	Operation Mode	KV-BUILDER / KV-STUDIO Mode
	Interface	RS-232C
	Baud Rate	Auto
	Data Bit Length	8 bits
	Start Bit	1 bit
	Stop Bit	1 bit
	Parity	Even
	Check Sum	None
	RS/CS Flow Control	Disable
Station No.	Station No.	0
Detail Settings	Transfer Timeout	3

- (6) Next, execute [Relay/DM Auto Assign] from [Convert] on the menu bar.
- (7) Execute [Save and Exit] from [File] on the menu bar.

## 3.4 Setting Example 4

### ■ Settings of GP-Pro EX

To display the setting screen, select [Device/PLC Settings] from [System setting window] in workspace.

**NOTE** • You can set the speed to 9600-57600 for KV-700 Series, 9600-115200 for KV-1000 Series.

### ■ Settings of External Device

- (1) Execute [New Project] from [File] on the menu bar of the ladder software "KV STUDIO".
- (2) Enter the optional project name in the [New Project] dialog box. Check that [Support Model] shows the External Device, and click [OK].
- (3) The project is created, and you are asked if you set the unit configuration or not. Click [Yes].
- (4) The [Unit Editor] window is displayed. Click the [Unit Selection (2)] tab on the right of the window. Select "KV-L20" from the displayed unit list, and drag & drop it to the unit placement area on the left of the window.

- (5) Double-click KV-L20, the External Device in the unit placement area. The [Unit Settings (3)] tab on the right of the window is displayed. The setting list of KV-L20 is displayed. Perform the communication settings as below.

Setup Items		Setup Description
Port 1	Operation Mode	KV-BUILDER Mode
	Interface	RS-232C
	Station No.	0
	Baud Rate	Auto
	Data Bit Length	8 bits
	Start Bit	1 bit
	Stop Bit	1 bit
	Parity	Even
	Check Sum	None

- (6) Next, execute [Relay/DM Auto Assign] from [Convert] on the menu bar.
- (7) Execute [Save and Exit] from [File] on the menu bar.

## 3.5 Setting Example 5

### ■ Settings of GP-Pro EX

To display the setting screen, select [Device/PLC Settings] from [System setting window] in workspace.

**NOTE** • You can set the speed to 9600-57600 for KV-700 Series, 9600-115200 for KV-1000 Series.

### ■ Settings of External Device

- (1) Execute [New Project] from [File] on the menu bar of the ladder software "KV STUDIO".
- (2) Enter the optional project name in the [New Project] dialog box. Check that [Support Model] shows the External Device, and click [OK].
- (3) The project is created, and you are asked if you set the unit configuration or not. Click [Yes].
- (4) The [Unit Editor] window is displayed. Click the [Unit Selection (2)] tab on the right of the window. Select "KV-L20R" from the displayed unit list, and drag & drop it to the unit placement area on the left of the window.

- (5) Double-click KV-L20R, the External Device in the unit placement area. The [Unit Settings (3)] tab on the right of the window is displayed. The setting list of KV-L20R is displayed. Perform the communication settings as below.

Setup Items		Setup Description
Port 1	Operation Mode	KV-BUILDER / KV-STUDIO Mode
	Interface	RS-232C
	Baud Rate	Auto
	Data Bit Length	8 bits
	Start Bit	1 bit
	Stop Bit	1 bit
	Parity	Even
	Check Sum	None
Station No.	Station No.	0
Detail Settings	Transfer Timeout	3

- (6) Next, execute [Relay/DM Auto Assign] from [Convert] on the menu bar.
- (7) Execute [Save and Exit] from [File] on the menu bar.

## 3.6 Setting Example 6

### ■ Settings of GP-Pro EX

To display the setting screen, select [Device/PLC Settings] from [System setting window] in workspace.

**NOTE** • You can set the speed to 9600-57600 for KV-700 Series, 9600-115200 for KV-1000 Series.

### ■ Settings of External Device

- (1) Execute [New Project] from [File] on the menu bar of the ladder software "KV STUDIO".
- (2) Enter the optional project name in the [New Project] dialog box. Check that [Support Model] shows the External Device, and click [OK].
- (3) The project is created, and you are asked if you set the unit configuration or not. Click [Yes].
- (4) The [Unit Editor] window is displayed. Click the [Unit Selection (2)] tab on the right of the window. Select "KV-L20" from the displayed unit list, and drag & drop it to the unit placement area on the left of the window.

- (5) Double-click KV-L20, the External Device in the unit placement area. The [Unit Settings (3)] tab on the right of the window is displayed. The setting list of KV-L20 is displayed. Perform the communication settings as below.

Setup Items		Setup Description
Port 1	Operation Mode	KV-BUILDER Mode
	Interface	RS-422A
	Station No.	0
	Baud Rate	Auto
	Data Bit Length	8 bits
	Start Bit	1 bit
	Stop Bit	1 bit
	Parity	Even
	Check Sum	None

- (6) Next, execute [Relay/DM Auto Assign] from [Convert] on the menu bar.
- (7) Execute [Save and Exit] from [File] on the menu bar.

## 3.7 Setting Example 7

### ■ Settings of GP-Pro EX

To display the setting screen, select [Device/PLC Settings] from [System setting window] in workspace.

**NOTE** • You can set the speed to 9600-57600 for KV-700 Series, 9600-115200 for KV-1000 Series.

### ■ Settings of External Device

- (1) Execute [New Project] from [File] on the menu bar of the ladder software "KV STUDIO".
- (2) Enter the optional project name in the [New Project] dialog box. Check that [Support Model] shows the External Device, and click [OK].
- (3) The project is created, and you are asked if you set the unit configuration or not. Click [Yes].
- (4) The [Unit Editor] window is displayed. Click the [Unit Selection (2)] tab on the right of the window. Select "KV-L20R" from the displayed unit list, and drag & drop it to the unit placement area on the left of the window.



- (5) Double-click KV-L20R, the External Device in the unit placement area. The [Unit Settings (3)] tab on the right of the window is displayed. The setting list of KV-L20R is displayed. Perform the communication settings as below.

Setup Items		Setup Description
Port 1	Operation Mode	KV-BUILDER / KV-STUDIO Mode
	Interface	RS-422A/485 (4 wire)
	Baud Rate	Auto
	Data Bit Length	8 bits
	Start Bit	1 bit
	Stop Bit	1 bit
	Parity	Even
	Check Sum	None
Station No.	Station No.	0
Detail Settings	Transfer Timeout	3

- (6) Next, execute [Relay/DM Auto Assign] from [Convert] on the menu bar.
- (7) Execute [Save and Exit] from [File] on the menu bar.

## 4 Setup Items

Set communication settings of the display with GP-Pro Ex or in off-line mode of the display.

The setting of each parameter must be identical to that of External Device.

☞ "3 Example of Communication Setting" (page 5)

### 4.1 Setup Items in GP-Pro EX

#### ■ Communication Settings

To display the setting screen, select [Device/PLC Settings] from [System setting window] in workspace.

Device/PLC 1

Summary [Change Device/PLC](#)

Maker: KEYENCE Corporation Series: KV-700/1000 Series CPU Direct Port: COM1

Text Data Mode: 2 [Change](#)

Communication Settings

SIO Type:  RS232C  RS422/485(2wire)  RS422/485(4wire)

Speed: 19200

Data Length:  7  8

Parity:  NONE  EVEN  ODD

Stop Bit:  1  2

Flow Control:  NONE  ER(DTR/CTS)  XON/XOFF

Timeout: 3 (sec)

Retry: 2

Wait To Send: 0 (ms)

RI / VCC  RI  VCC

In the case of RS232C, you can select the 9th pin to RI (Input) or VCC (5V Power Supply). If you use the Digital's RS232C Isolation Unit, please select it to VCC.

[Default](#)

Device-Specific Settings

Allowable No. of Device/PLCs: 1 Unit(s)

No.	Device Name	Settings
1	PLC1	

Setup Items	Setup Description
SIO Type	Select the SIO type to communicate with the External Device.
Speed	Select speed between the communication equipment and the display.
Data Length	Select data length.
Parity	Select how to check parity.
Stop Bit	Select stop bit length.
Flow Control	Select the communication control method to prevent overflow of transmission and reception data.
Timeout	Use an integer from 1 to 127 to enter the time (s) for which the display waits for the response from the External Device.

continued to next page

Setup Items	Setup Description
Retry	In case of no response from the External Device, use an integer from 0 to 255 to enter how many times the display retransmits the command.
Wait To Send	Use an integer from 0 to 255 to enter standby time (ms) for the display from receiving packets to transmitting next commands.
RI/VCC	You can switch RI/VCC of the 9th pin when you select RS232C for SIO type.

## 4.2 Setup Items in Off-Line Mode

- NOTE** • Please refer to GP3000 Series User Manual for more information on how to enter off-line mode or about operation.  
Cf. GP3000 Series User Manual "Chapter 4 Settings"

### ■ Communication Settings

To display the setting screen, touch [Device/PLC Settings] from [Peripheral Settings] in off-line mode. Touch the External Device you want to set from the displayed list.

Comm.	Option			
KV-700/1000 Series CPU Direct		[COM1]	Page 1/1	
SIO Type	RS232C			
Speed	19200			
Data Length	8			
Parity	EVEN			
Stop Bit	1			
Flow Control	NONE			
Timeout(s)	3	▼▲		
Retry	2	▼▲		
Wait to Send(ms)	0	▼▲		
Exit		Back	2005/09/02 13:16:12	

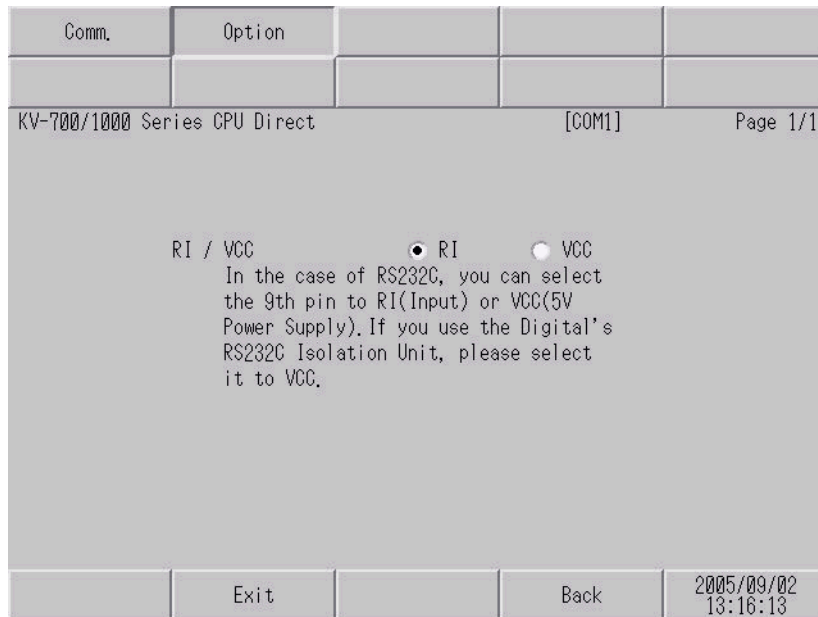
Setup Items	Setup Description
SIO Type	Select the SIO type to communicate with the External Device.
Speed	Select speed between the communication equipment and the display.
Data Length	Data length is displayed.
Parity	The parity check method is displayed.
Stop Bit	Stop bit length is displayed.
Flow Control	The communication control method to prevent overflow of transmission and reception data.

continued to next page

Setup Items	Setup Description
Timeout (s)	Use an integer from 1 to 127 to enter the time (s) for which the display waits for the response from the External Device.
Retry	In case of no response from the External Device, use an integer from 0 to 255 to enter how many times the display retransmits the command.
Wait to Send (ms)	Use an integer from 0 to 255 to enter standby time (ms) for the display from receiving packets to transmitting next commands.

## ■ Option

To display the setting screen, touch [Device/PLC Settings] from [Peripheral Settings]. Touch the External Device you want to set from the displayed list, and touch [Option].



Setup Items	Setup Description
RI/VCC	You can switch RI/VCC of the 9th pin when you select RS232C for SIO type.

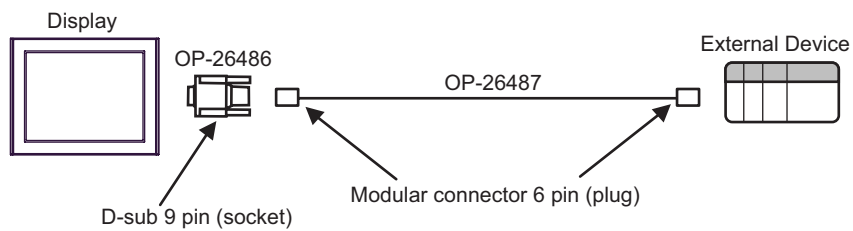
## 5 Cable Diagram

The cable diagram shown below may be different from the cable diagram recommended by KEYENCE Corporation. Please be assured there is no operational problem in applying the cable diagram shown in this manual.

- The FG pin of the main body of the External Device must be D-class grounded. Please refer to the manual of the External Device for more details.
- SG and FG are connected inside the display. When connecting SG to the External Device, design the system not to form short-circuit loop.

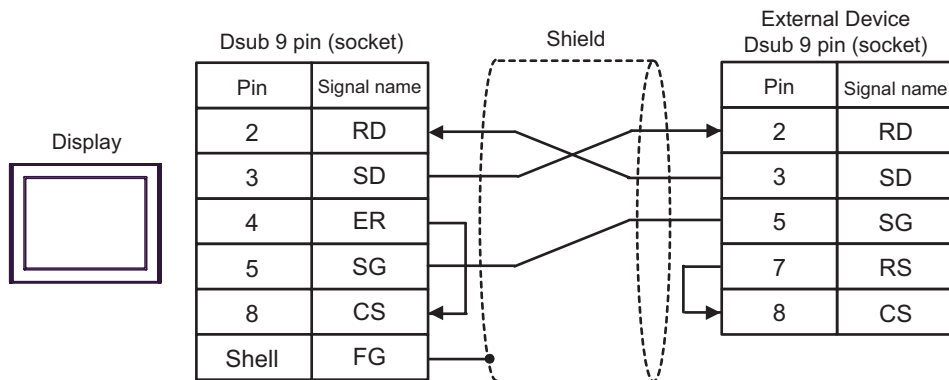
Cable Diagram 1

Display (Connection Port)	Cable	Notes
GP (COM1)	Modular cable of KEYENCE Corporation OP-26487 (2.5m) + Dsub9Pin of KEYENCE Corporation OP-26486	



Cable Diagram 2

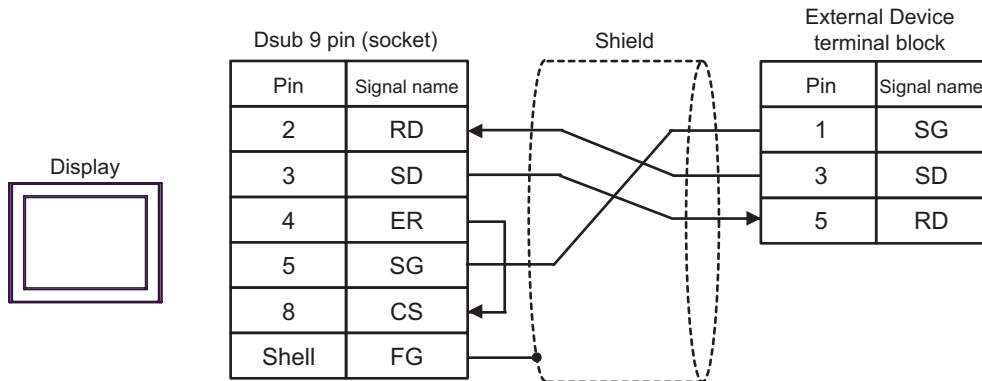
Display (Connection Port)	Cable	Notes
GP (COM1)	Your own cable	The cable length must be 15 meters or less.



## Cable Diagram 3

Display (Connection Port)	Cable	Notes
GP (COM1)	Your own cable	The cable length must be 15 meters or less.

**NOTE** • Set the PORT2 toggle switch on the External Device to "232C".



Cable Diagram 4

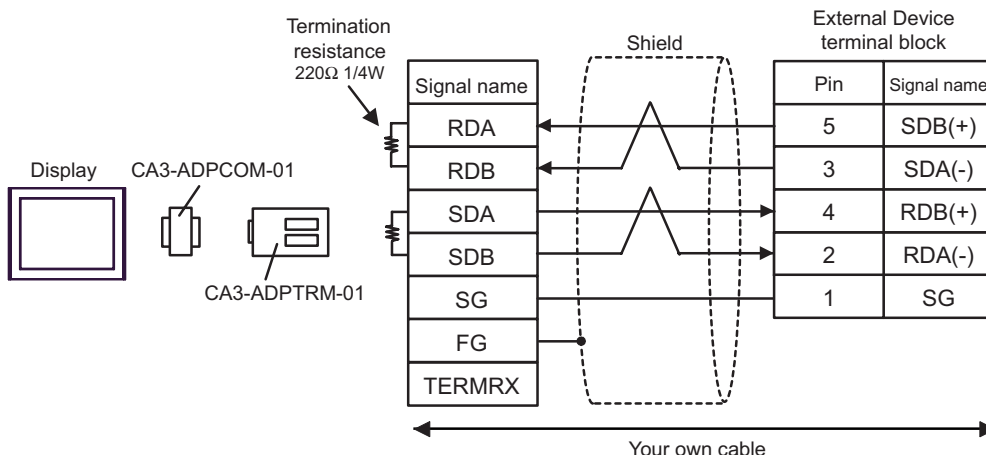
Display (Connection Port)	Cable		Notes
GP* <sup>1</sup> (COM1) AGP-3302 (COM2)	A	COM port conversion adapter (for COM1) by Pro-face CA3-ADPCOM-01 + Connector terminal block conversion adapter by Pro-face CA3-ADPTRM-01 + Your own cable	The cable length must be 500 meters or less.
	B	Your own cable	
GP* <sup>1</sup> (COM2)	C	Online adapter by Pro-face CA4-ADPONL-01 + Connector terminal block conversion adapter by Pro-face CA3-ADPTRM-01 + Your own cable	The cable length must be 500 meters or less.
	D	Online adapter by Pro-face CA4-ADPONL-01 + Your own cable	

\*1 All GP models except AGP-3302

**NOTE**

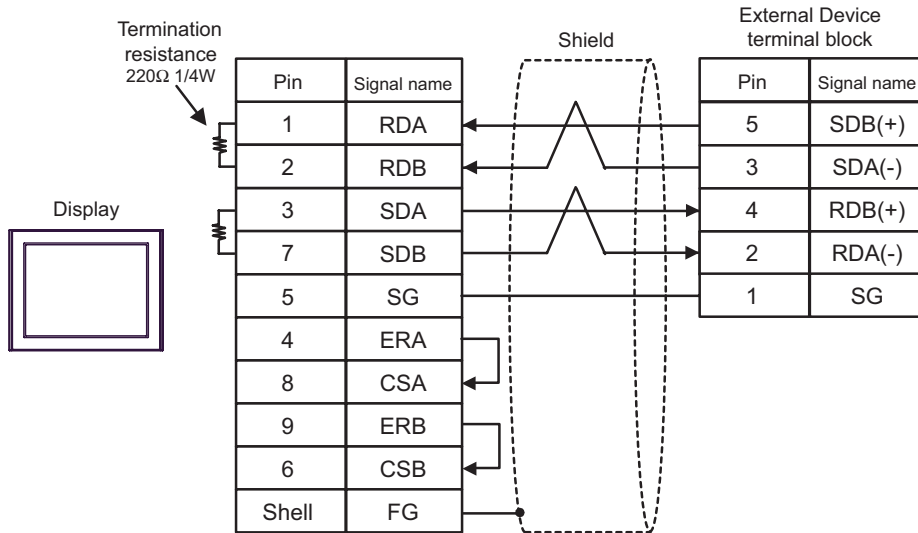
- Set the PORT2 toggle switch on the External Device to "422A 485(4)". Also, turn ON the switch of the terminator.
- Pay attention that pole A and pole B are reversely named for the display and the External Device.

A) When using the COM port conversion adapter (CA3-ADPCOM-01), the connector terminal block conversion adapter (CA3-ADPTRM-01) by Pro-face, and your own cable..

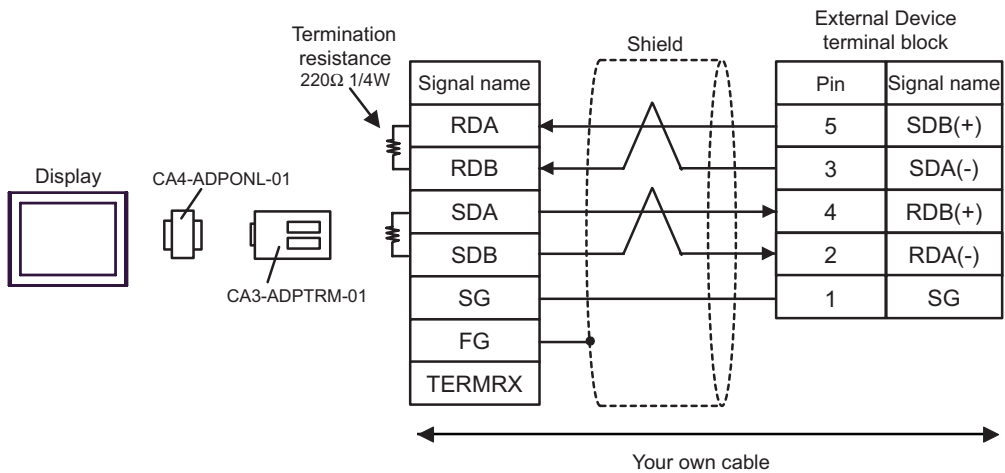




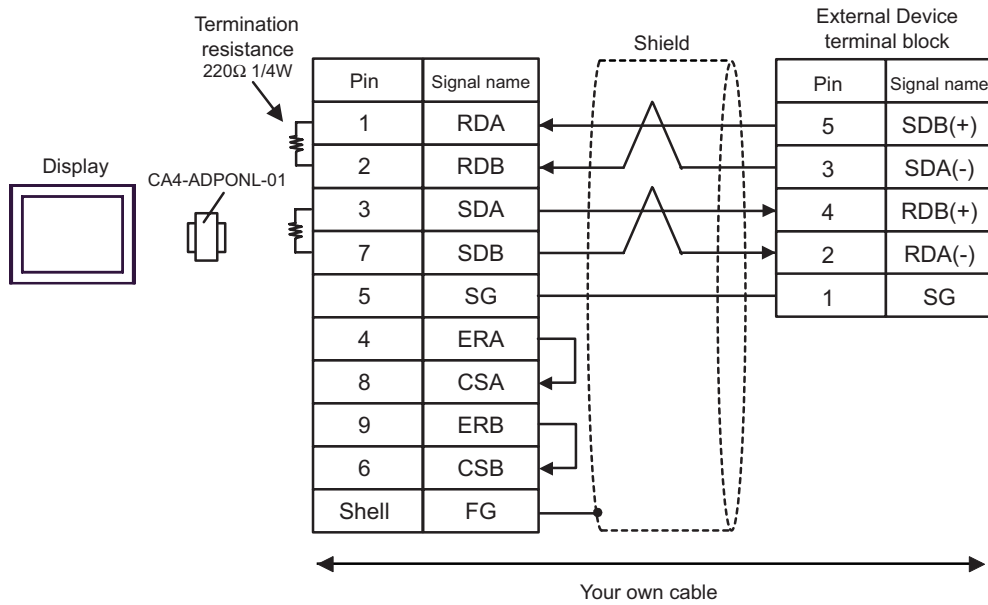
## B) When using your own cable



## C) When using the online adapter (CA4-ADPONL-01), the connector terminal block conversion adapter (CA3-ADPTRM-01) by Pro-face, and your own cable.



D) When using the online adapter (CA4-ADPONL-01) by Pro-face and your own cable



## 6 Supported Device

Range of supported device address is shown in the table below. Please note that the actually supported range of the devices varies depending on the External Device to be used. Please check the actual range in the manual of your External Device.

### 6.1 KV-700 Series

     This address can be specified as system data area.

Device	Bit Address	Word Address	32 bit	Notes	
Input Relay	00000 - 59915	000 - 599	<span style="border: 1px solid black; padding: 2px;">L/H</span>		
Output Relay					
Internal Auxiliary Relay					
Control Relay	CR0000 - CR3915	CR00 - CR39			
Timer (Contact)	T000 - T511	-----			
Counter (Contact)	C000 - C511	-----			
High-speed Counter Comparator (Contact)	CTC0 - CTC3	-----			*1
Timer (Setting Value)	-----	TS000 - TS511			
Counter (Setting Value)	-----	CS000 - CS511			*2
Timer (Current Value)	-----	TC000 - TC511			
Counter (Current Value)	-----	CC000 - CC511			
Data Memory	-----	DM00000 - DM39999			
Temporary Memory	-----	TM000 - TM511			<span style="border: 1px solid black; padding: 2px;">B.15</span>
Control Memory	-----	CM0000 - CM3999			
Digital Trimming Machine	-----	TRM0 - TRM7			
High-speed Counter (Current Value)	-----	CTH0 - CTH1	*2		
High-speed Counter Comparator (Setting Value)	-----	CTC0 - CTC3			

\*1 Write disable

\*2 32-bit device

#### IMPORTANT

- When connecting KV-700 Series, use within the above range of device address.
- When you try to access the device address supported only by KV-1000 Series, error messages of "Error has been responded for device read command (Error Code: (02)[(0x02)]" or "Error has been responded for device write command (Error Code: (02)[(0x02)]" are displayed.

## 6.2 KV-1000 Series

     This address can be specified as system data area.

Device	Bit Address	Word Address	32 bits	Notes
Input Relay	00000 - 59915	000 - 599	L/H	*1
Output Relay				
Internal Auxiliary Relay	MR00000 - MR99915	MR000 - MR999		
Latch Relay	LR00000 - LR99915	LR000 - LR999		
Control Relay	CR0000 - CR3915	CR00 - CR39		
Timer (Contact)	T0000 - T3999	-----		
Counter (Contact)	C0000 - C3999	-----		
High-speed Counter Comparator (Contact)	CTC0 - CTC3	-----		*2
Timer (Setting Value)	-----	TS0000 - TS3999		*3
Counter (Setting Value)	-----	CS0000 - CS3999		
Timer (Current Value)	-----	TC0000 - TC3999		
Counter (Current Value)	-----	CC0000 - CC3999		
Data Memory	-----	DM00000 - DM65534		
Extension Data Memory EM	-----	EM00000 - EM65534		
Extension Data Memory FM	-----	FM00000 - FM32766		Bit 15
Temporary Data Memory	-----	TM000 - TM511		
Control Memory	-----	CM00000 - CM11998		
Index Register	-----	Z01 - Z12		Bit 15 *4
Digital Trimming Machine	-----	TRM0 - TRM7		
High-speed Counter (Current Value)	-----	CTH0 - CTH1		*3
High-speed Counter Comparator (Setting Value)	-----	CTC0 - CTC3		


\*1 R000 to R599 (R00000 to R59915) are shown in KV-1000, but 000 to 599 (00000 to 59915) in GP-Pro EX.

\*2 Write disable

\*3 32-bit device

\*4 Do not write in Z11 and Z12. They are used in the system of the External Device.

**NOTE**

- Please refer to the GP-Pro EX Reference Manual for system data area.  
Cf. GP-Pro EX Reference Manual "Appendix 1.4 LS Area (only for direct access method)"
- Please refer to the precautions on manual notation for icons in the table.  
 "Manual Symbols and Terminology"

## 7 Device Code and Address Code

Use device code and address code when you select "Device Type & Address" for the address type in data displays.

### 7.1 KV-700 Series

Device	Device Name	Device Code (HEX)	Address Code
Input Relay	-----	0080	Word Address
Output Relay			
Internal Auxiliary Relay			
Control Relay	CR	008A	Word Address
Timer (Setting Value)	TS	0062	Double Word Address
Counter (Setting Value)	CS	0063	Double Word Address
Timer (Current Value)	TC	0060	Double Word Address
Counter (Current Value)	CC	0061	Double Word Address
Data Memory	DM	0000	Word Address
Temporary Data Memory	TM	0001	Word Address
Control Memory	CM	0002	Word Address
Digital Trimming Machine	TRM	0064	Double Word Address
High-speed Counter (Current Value)	CTH	0065	Double Word Address
High-speed Counter Comparator (Setting Value)	CTC	0066	Double Word Address

## 7.2 KV-1000 Series

Device	Device Name	Device Code (HEX)	Address Code
Input Relay	-----	0080	Word Address
Output Relay			
Internal Auxiliary Relay	MR	0082	Word Address
Latch Relay	LR	0084	Word Address
Control Relay	CR	008A	Word Address
Timer (Setting Value)	TS	0062	Double Word Address
Counter (Setting Value)	CS	0063	Double Word Address
Timer (Current Value)	TC	0060	Double Word Address
Counter (Current Value)	CC	0061	Double Word Address
Data Memory	DM	0000	Word Address
Extension Data Memory EM	EM	0010	Word Address
Extension Data Memory FM	FM	0011	Word Address
Temporary Data Memory	TM	0001	Word Address
Control Memory	CM	0002	Word Address
Index Register	Z	0003	Word Address
Digital Trimming Machine	TRM	0064	Double Word Address
High-speed Counter (Current Value)	CTH	0065	Double Word Address
High-speed Counter Comparator (Setting Value)	CTC	0066	Double Word Address

## 8 Error Messages

Error messages are displayed on the display screen as follows: "No.: Device Name: Error Message (Error Occurrence Area)". Each description is shown below.

Item	Description
No.	Error No.
Device Name	Name of the External Device where error occurs. Nodename is a title of the External Device set with GP-Pro EX. (Initial value [PLC1])
Error Message	Displays messages related to the error which occurs.
Error Occurrence Area	<p>Displays IP address or device address of the External Device where error occurs, or error codes received from the External Device.</p> <p><b>NOTE</b></p> <ul style="list-style-type: none"> <li>Received error codes are displayed such as "Decimal [Hex]".</li> <li>IP address is displayed such as "IP address (Decimal): MAC address (Hex)".</li> </ul>

Display Examples of Error Messages

"RHAA035: PLC1: Error has been responded for device write command (Error Code: 2[02])"

### ◆ Error Code List of External Device

Error Code (HEX)	Error Description
02	Executed illegal access. <ul style="list-style-type: none"> <li>Wrote in the write disable device.</li> <li>Accessed the nonexistent device or address.</li> </ul>
04	Tried to communicate in the communication baud rate not supported by the External Device.
31	Accessed the device not defined as device in the External Device. *1
0B	Performed monitor read with the monitor unregistered.

\*1 When you write to Timer (Contact/Current Value/Setting Value), Counter (Contact/Current Value/Setting Value), High-speed Counter and High-speed Counter Comparator (Setting Value), the settings in the ladder program is necessary in advance.