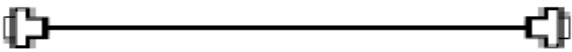
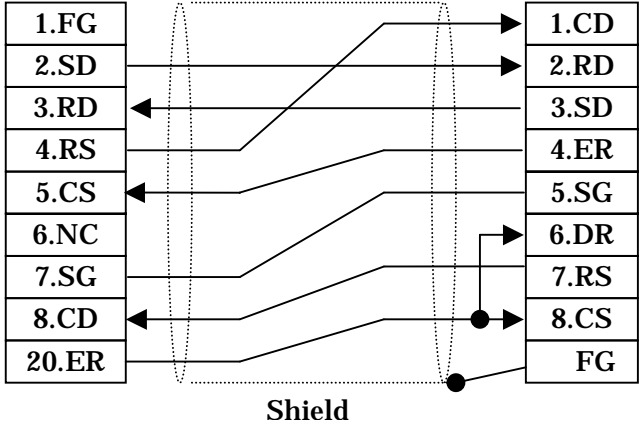


Mitsubishi <11> Mitsubishi Electric Corporation

Q Series (Q Mode) + Link Unit Connection

Connection Method

[1] RS-232C Connection

Type	Connection Method	Distance
Using GP000-IS02-MS		3m
Creating Cable	<p>GP Unit (25p Male) PLC (9p Male)</p>  <p style="text-align: center;">Shield</p>	Within 15 m



* If a communication cable is used, it must be connected to the SG.

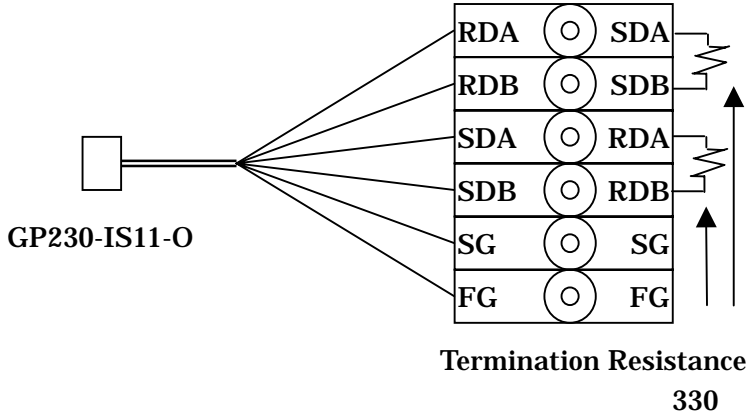
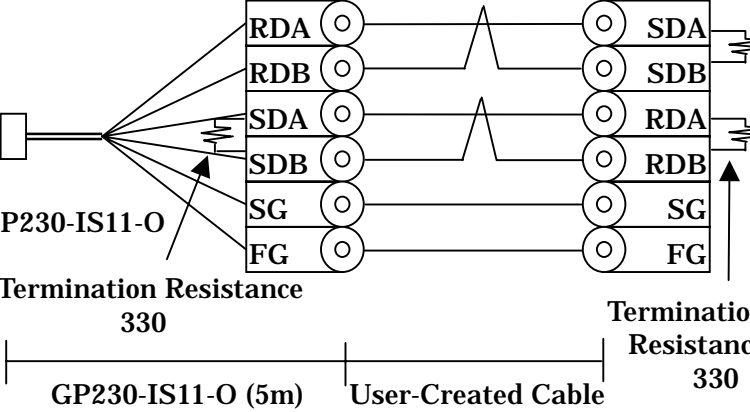
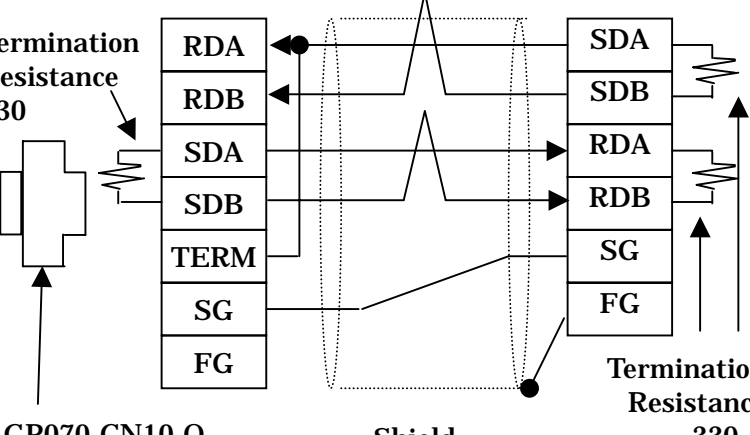


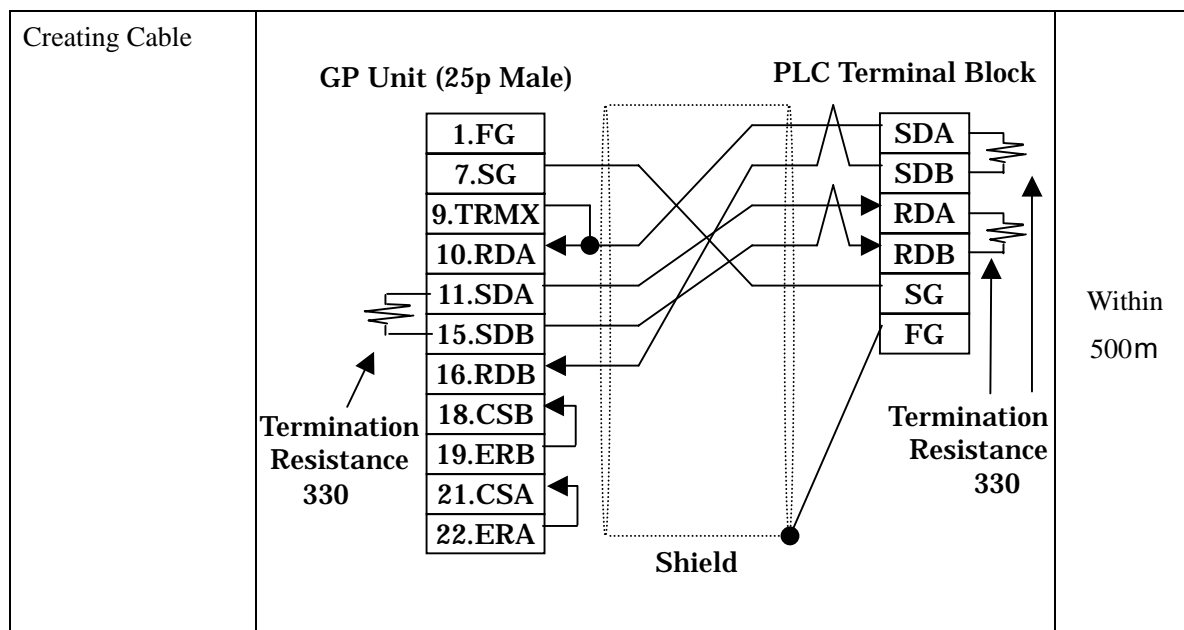
The optional cable, GP000-IS02-MS is 3m long. If you need a longer cable or shorter, please use a User-Created cable to connect.

Recommended Products

Connector/Cover for GP	D-sub 25 pin Plug	XM2A-2501 <OMRON Co.>
	Cover for D-sub 25 pin	XM2S-2511 <OMRON Co.>
	Jack Screw	XM2Z-0071 <OMRON Co.>
Cable	CO-MA-VV-SB5P × 28AWG <Hitachi Cable Ltd.>	
Setscrew	Metric Coarse Screw Tread : M2.6 × 0.45	

[2] RS-422 Connection

Type	Connection Method	Distance
Using GP230-IS11-O	<p>GP Unit (25p Male) PLC Terminal Block</p>  <p>Termination Resistance 330</p>	5m
Extending GP230-IS11-O	<p>GP Unit (25p Male) PLC Terminal Block with 6 contacts</p> <p>Cable with 6 wires</p>  <p>Termination Resistance 330</p> <p>Termination Resistance 330</p> <p>GP230-IS11-O (5m) User-Created Cable</p>	5 - 500m
Using GP070-CN10-O	<p>Conversion Adapter PLC Terminal Block</p>  <p>Termination Resistance 330</p> <p>Termination Resistance 330</p> <p>GP070-CN10-O Shield</p>	Within 500m



* If a communication cable is used, it must be connected to the SG.

* Termination Resistance

PLC / between SDA and SDB, between RDA and RDB : 330
(with wattage that specified on PLC)

GP Unit / as required (Refer to Cable Diagrams) : 330
(with wattage that specified on PLC)

Recommended Products

Connector/Cover for GP	D-sub 25 pin Plug	XM2A-2501 <OMRON Co.>
	Cover for D-sub 25 pin	XM2S-2511 <OMRON Co.>
	Jack Screw	XM2Z-0071 <OMRON Co.>
Cable	SPEV(SB)-MPC-0.2*3P <Mitsubishi Cable Ind.>	
Setscrew	Metric Coarse Screw Tread : M2.6 × 0.45	